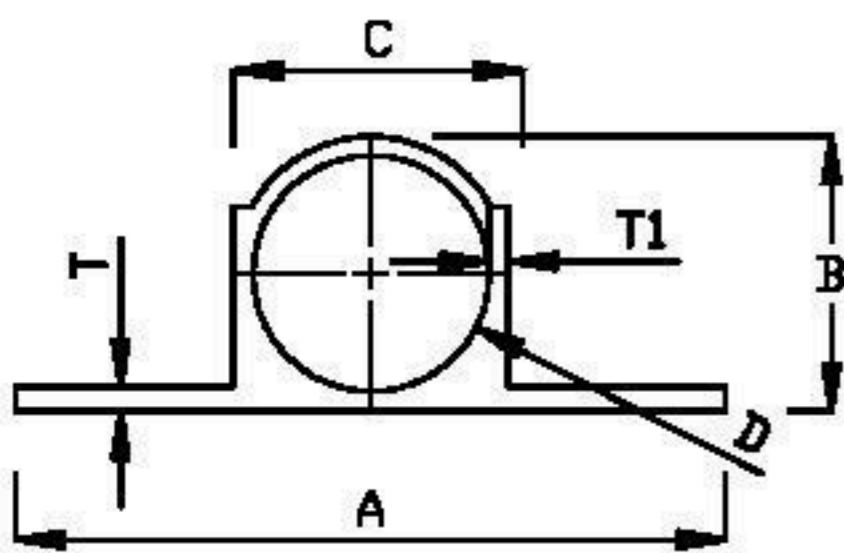
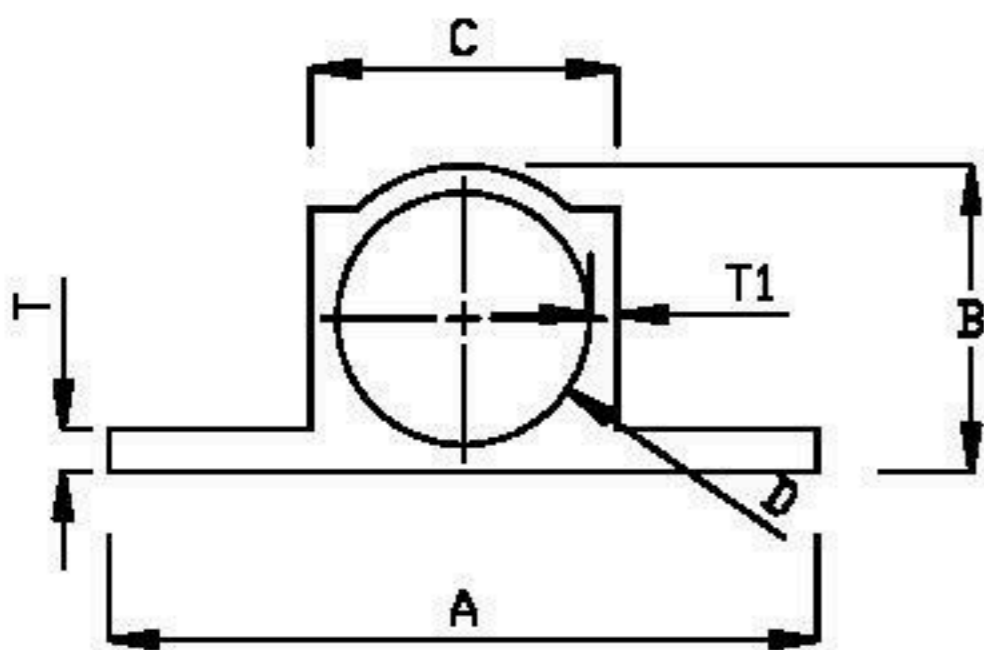


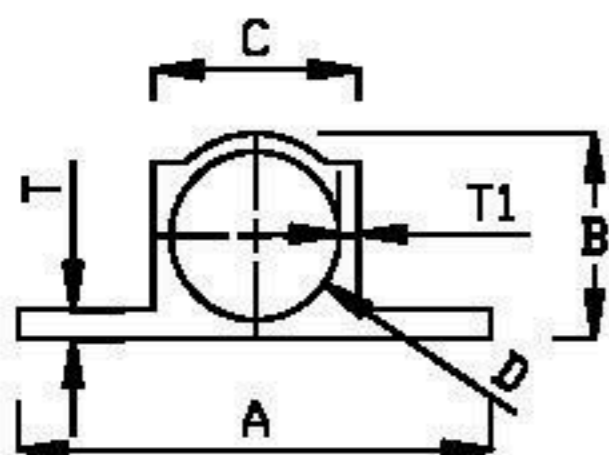
TOWER BOLT



| SEC | A | B | C | D | T | T1 | Wt/12" |
|-------|-------|-------|-------|-------|------|------|--------|
| 11639 | 33.50 | 11.70 | 11.70 | 10.50 | 0.70 | 0.80 | 0.51 |
| 11638 | 35.00 | 12.30 | 12.20 | 11.00 | 0.70 | 0.80 | 0.56 |
| 11665 | 35.00 | 12.70 | 12.70 | 11.40 | 1.05 | 0.85 | 0.67 |
| 11630 | 35.10 | 12.65 | 12.40 | 11.00 | 1.20 | 0.70 | 0.74 |
| 11658 | 35.20 | 12.35 | 12.20 | 11.10 | 0.65 | 0.55 | 0.55 |
| 11631 | 35.50 | 12.80 | 12.80 | 11.00 | 1.30 | 0.80 | 0.80 |
| 11632 | 35.50 | 13.50 | 13.30 | 11.50 | 1.60 | 0.90 | 0.93 |
| 11650 | 36.00 | 13.10 | 13.40 | 11.50 | 1.05 | 0.95 | 0.80 |
| 11633 | 36.10 | 14.00 | 13.80 | 11.80 | 1.45 | 1.00 | 1.00 |
| 11655 | 36.50 | 13.20 | 13.20 | 11.50 | 1.80 | 0.85 | 0.95 |
| 11634 | 36.60 | 14.70 | 14.40 | 12.00 | 1.75 | 1.20 | 1.10 |
| 11640 | 36.60 | 12.90 | 12.90 | 11.50 | 1.90 | 0.70 | 0.90 |
| 11635 | 36.30 | 14.90 | 14.80 | 11.80 | 1.90 | 1.40 | 1.30 |
| 11636 | 37.10 | 15.10 | 14.90 | 12.30 | 1.70 | 1.30 | 1.20 |
| 11637 | 36.80 | 15.50 | 15.30 | 12.20 | 2.00 | 1.50 | 1.37 |
| 11642 | 37.80 | 15.80 | 15.80 | 12.60 | 2.00 | 1.60 | 1.45 |
| 11643 | 37.80 | 15.60 | 15.60 | 12.40 | 2.10 | 1.60 | 1.43 |
| 11644 | 37.80 | 16.40 | 16.40 | 12.80 | 1.90 | 1.80 | 1.54 |
| 11645 | 37.50 | 16.00 | 16.00 | 12.60 | 2.20 | 1.75 | 1.60 |
| 11641 | 37.50 | 16.00 | 16.00 | 12.70 | 2.30 | 1.75 | 1.65 |
| 11646 | 37.80 | 16.90 | 16.90 | 12.70 | 2.30 | 2.10 | 1.79 |
| 11649 | 37.80 | 16.80 | 16.80 | 13.20 | 2.60 | 2.00 | 1.85 |
| 11648 | 37.80 | 17.60 | 17.80 | 12.30 | 2.50 | 2.20 | 1.95 |
| 11656 | 37.30 | 15.50 | 15.50 | 12.30 | 2.40 | 1.60 | 1.37 |
| 11657 | 37.30 | 15.50 | 15.50 | 12.40 | 2.50 | 1.80 | 1.45 |
| 11664 | 37.50 | 16.00 | 16.00 | 12.70 | 2.50 | 2.20 | 1.75 |

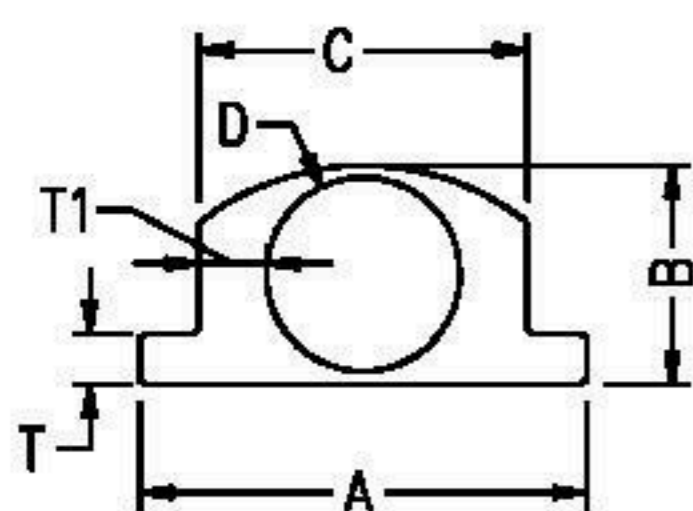


| SEC | A | B | C | D | T | T1 | Wt/12" |
|-------|-------|-------|-------|-------|------|------|--------|
| 11654 | 37.90 | 16.80 | 16.60 | 12.70 | 2.55 | 1.95 | 1.84 |
| 11651 | 40.00 | 14.20 | 14.20 | 11.60 | 1.50 | 1.00 | 1.05 |
| 11652 | 43.80 | 16.00 | 15.80 | 13.00 | 1.90 | 1.20 | 1.45 |
| 11659 | 43.90 | 14.70 | 14.80 | 12.50 | 1.40 | 1.15 | 1.19 |
| 11653 | 44.00 | 16.30 | 16.30 | 13.20 | 2.00 | 1.40 | 1.55 |

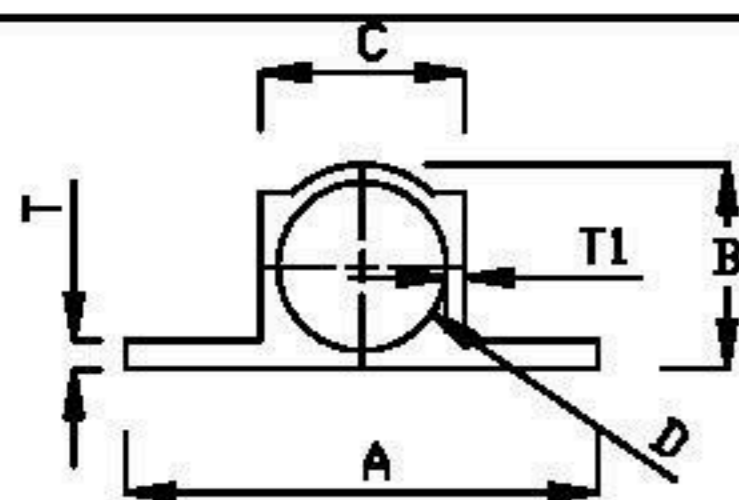


| SEC | A | B | C | D | T | T1 | Wt/12" |
|-------|-------|-------|-------|-------|------|------|--------|
| 11661 | 31.80 | 12.40 | 12.40 | 10.30 | 1.00 | 1.00 | 0.77 |
| 11662 | 32.00 | 12.50 | 12.50 | 10.50 | 1.10 | 1.10 | 0.83 |

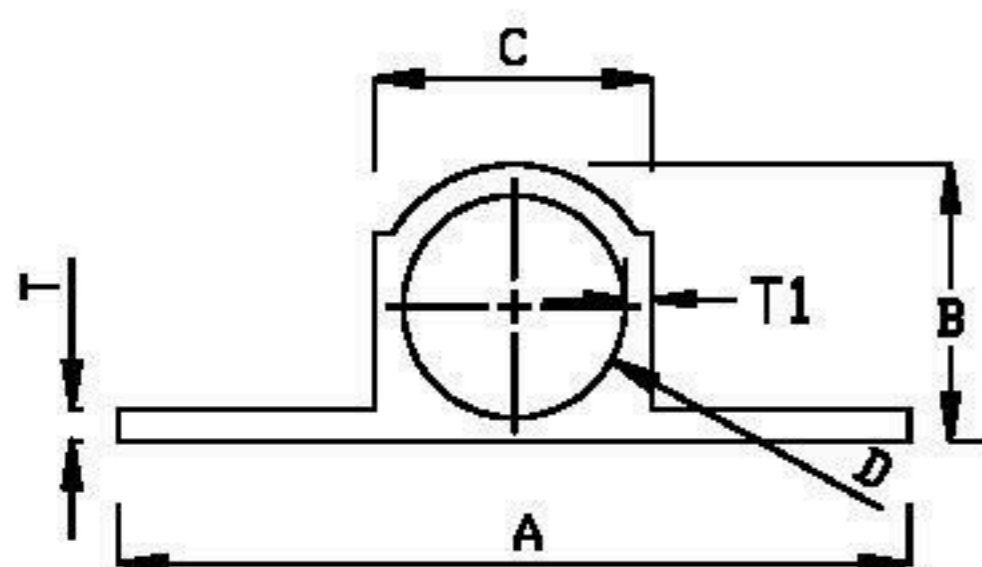
TOWER BOLT



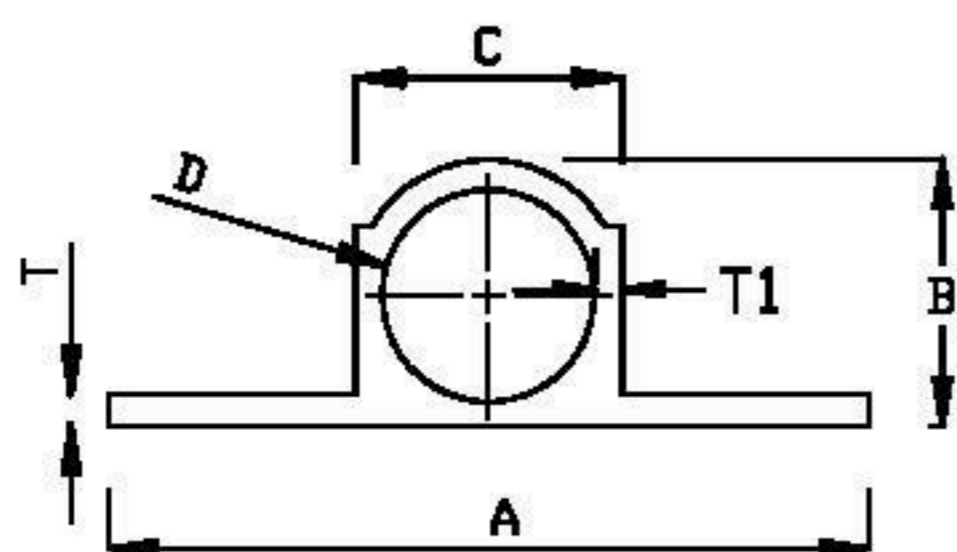
| SEC | A | B | C | D | T | T1 | Wt/12" |
|-------|-------|-------|-------|-------|------|------|--------|
| 12604 | 24.80 | 12.60 | 17.60 | 10.80 | 2.20 | 0.90 | 1.29 |
| 12615 | 25.30 | 13.10 | 18.00 | 10.80 | 2.60 | 3.60 | 1.43 |
| 12606 | 28.00 | 13.80 | 20.60 | 12.20 | 3.20 | 4.20 | 1.65 |
| 12622 | 24.80 | 12.50 | 16.70 | 10.80 | 1.70 | 2.95 | 1.16 |
| 12628 | 24.80 | 12.50 | 16.10 | 10.80 | 1.70 | 2.65 | 1.11 |



| SEC | A | B | C | D | T | T1 | Wt/12" |
|-------|-------|-------|-------|-------|------|------|--------|
| 12601 | 23.00 | 08.10 | 08.20 | 8.90 | 0.50 | 0.65 | 0.36 |
| 12602 | 24.70 | 12.00 | 12.00 | 9.30 | 1.40 | 1.35 | 1.04 |
| 11606 | 24.50 | 10.50 | 10.50 | 8.70 | 1.45 | 0.90 | 0.80 |
| 11808 | 24.50 | 10.80 | 10.80 | 8.75 | 1.50 | 1.00 | 0.85 |
| 11805 | 24.70 | 10.00 | 10.00 | 8.20 | 0.90 | 0.90 | 0.52 |
| 11609 | 25.40 | 10.70 | 10.70 | 8.50 | 1.60 | 1.10 | 0.72 |
| 11607 | 25.40 | 11.00 | 11.00 | 8.80 | 1.70 | 1.20 | 0.78 |
| 12603 | 25.60 | 13.20 | 19.00 | 10.40 | 3.00 | 1.50 | 1.67 |
| 12610 | 29.30 | 10.60 | 10.60 | 9.40 | 0.70 | 0.60 | 0.45 |
| 12612 | 34.20 | 11.90 | 11.90 | 11.00 | 0.55 | 0.45 | 0.44 |
| 12605 | 38.00 | 12.80 | 12.70 | 11.50 | 1.35 | 0.60 | 0.76 |

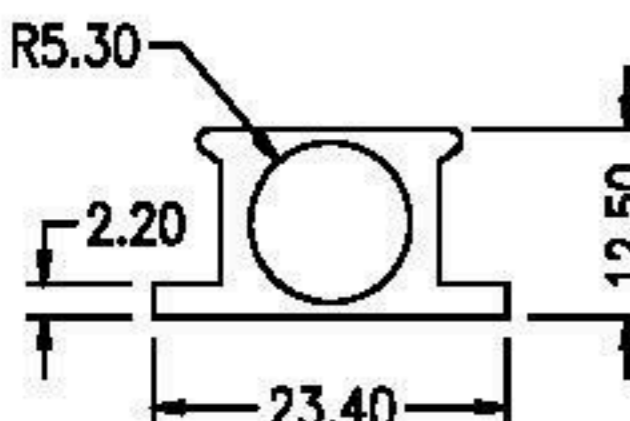
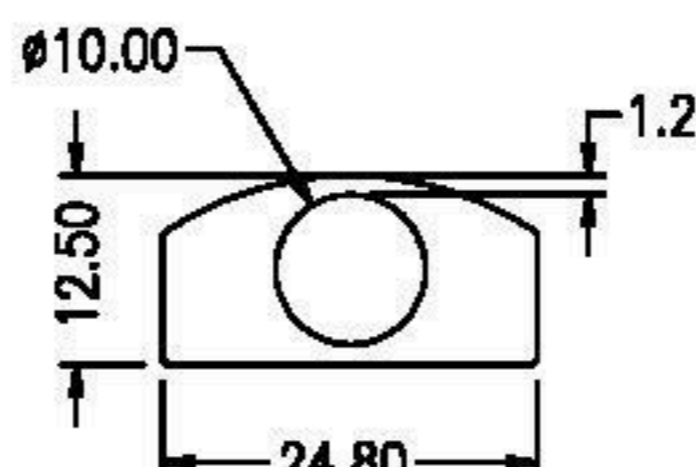
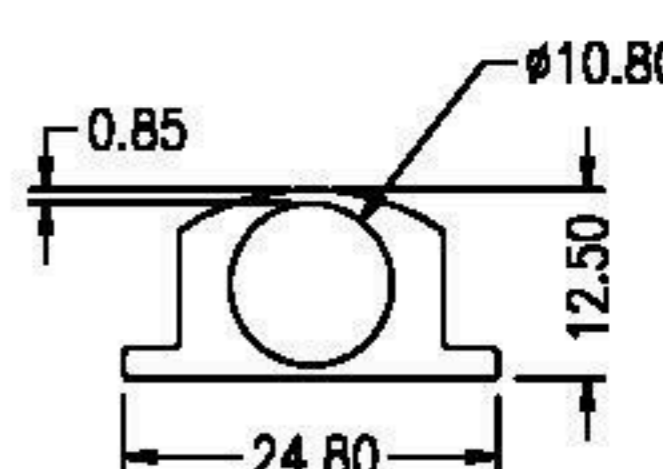
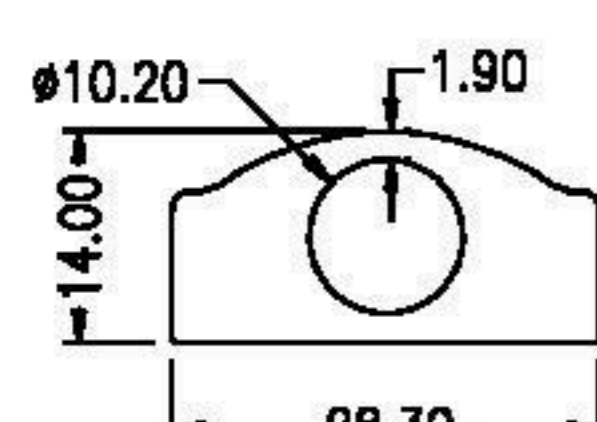
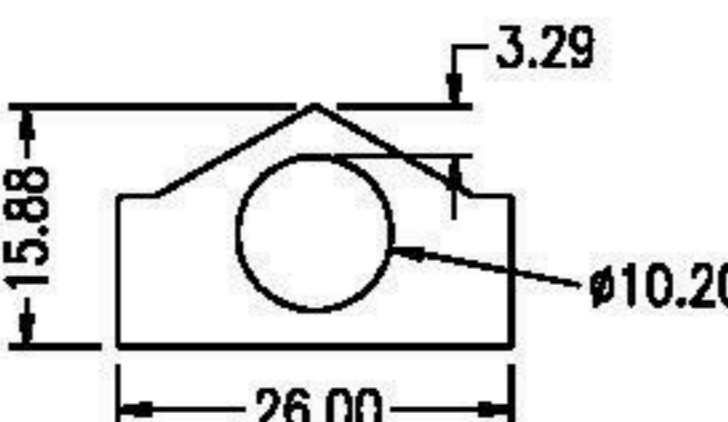
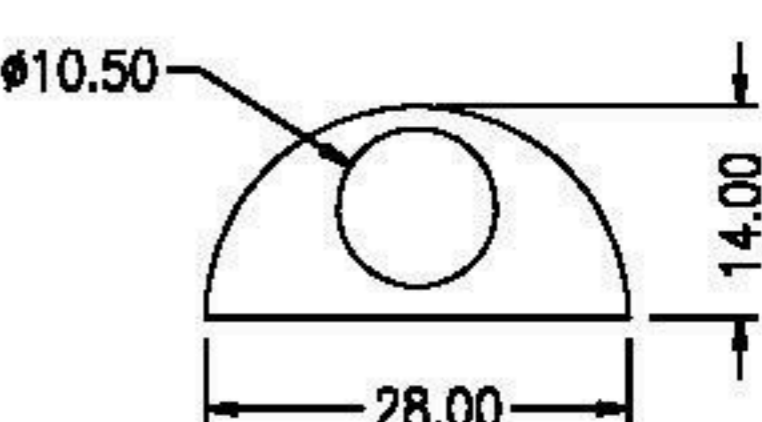
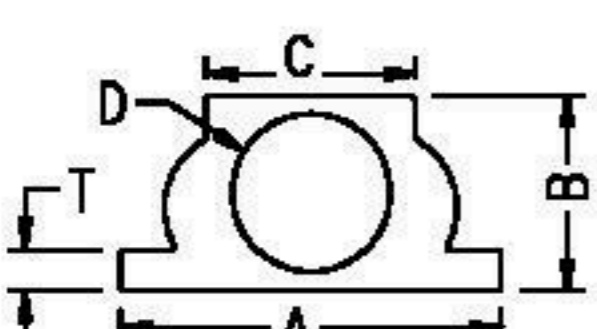
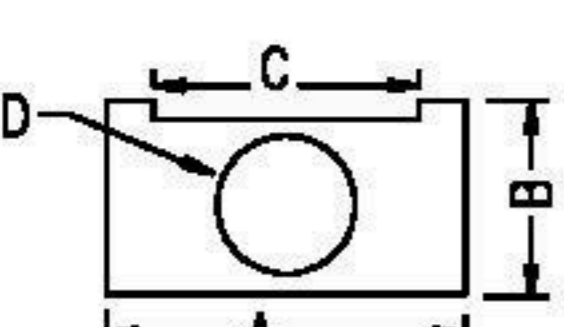


| SEC | A | B | C | D | T | T1 | Wt/12" |
|-------|-------|-------|-------|-------|------|------|--------|
| 11610 | 27.50 | 10.50 | 10.50 | 9.20 | 0.85 | 0.65 | 0.44 |
| 12610 | 29.30 | 10.60 | 10.60 | 9.40 | 0.70 | 0.60 | 0.45 |
| 11682 | 29.90 | 10.50 | 10.50 | 9.30 | 0.90 | 0.70 | 0.52 |
| 11611 | 30.50 | 11.55 | 11.55 | 10.20 | 1.10 | 0.70 | 0.60 |
| 11612 | 30.00 | 11.20 | 11.20 | 9.70 | 1.10 | 0.75 | 0.60 |
| 11613 | 30.10 | 11.40 | 11.40 | 9.80 | 1.20 | 0.80 | 0.66 |
| 11614 | 30.10 | 11.60 | 11.60 | 9.80 | 1.20 | 0.90 | 0.68 |
| 11615 | 31.80 | 11.50 | 11.50 | 9.80 | 1.20 | 0.85 | 0.75 |
| 11616 | 30.70 | 11.10 | 11.10 | 9.50 | 1.70 | 0.80 | 0.77 |
| 11618 | 31.80 | 12.20 | 12.20 | 10.20 | 1.50 | 1.00 | 0.83 |
| 11619 | 31.50 | 12.20 | 12.20 | 10.00 | 1.60 | 1.10 | 0.89 |

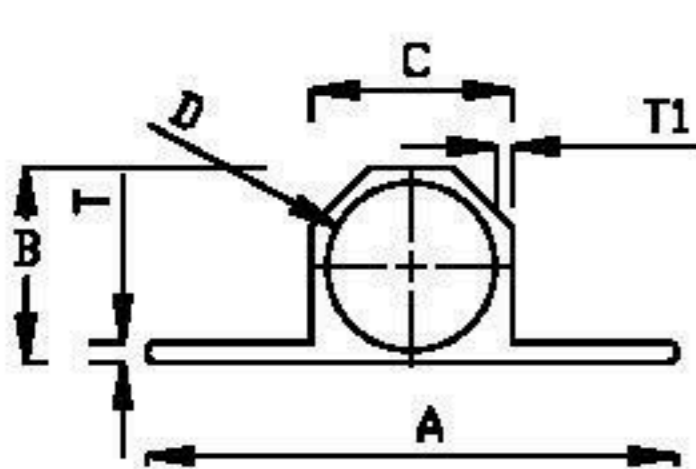


| SEC | A | B | C | D | T | T1 | Wt/12" |
|-------|-------|-------|-------|-------|------|------|--------|
| 11691 | 31.75 | 12.05 | 12.20 | 10.10 | 1.40 | 0.60 | 0.54 |
| 11688 | 29.40 | 11.70 | 11.30 | 10.10 | 0.80 | 1.05 | 0.80 |
| 11620 | 31.00 | 12.40 | 12.40 | 12.40 | 1.00 | 0.75 | 0.66 |
| 11629 | 31.00 | 12.40 | 12.40 | 12.40 | 1.20 | 0.80 | 0.70 |
| 11621 | 31.20 | 12.40 | 12.40 | 10.80 | 1.20 | 0.80 | 0.73 |
| 11622 | 31.50 | 12.60 | 12.60 | 10.80 | 1.30 | 0.90 | 0.62 |
| 11623 | 31.50 | 12.80 | 12.80 | 10.80 | 1.40 | 1.00 | 0.85 |
| 11624 | 31.50 | 12.80 | 12.80 | 10.80 | 1.50 | 1.00 | 0.89 |
| 11625 | 31.50 | 13.30 | 13.50 | 11.00 | 1.50 | 1.15 | 0.93 |
| 11626 | 32.50 | 13.30 | 13.50 | 11.00 | 1.60 | 1.15 | 0.97 |
| 11627 | 32.50 | 13.40 | 13.40 | 13.40 | 1.75 | 1.20 | 1.01 |
| 11628 | 31.30 | 13.10 | 13.10 | 11.00 | 1.20 | 1.03 | 0.82 |

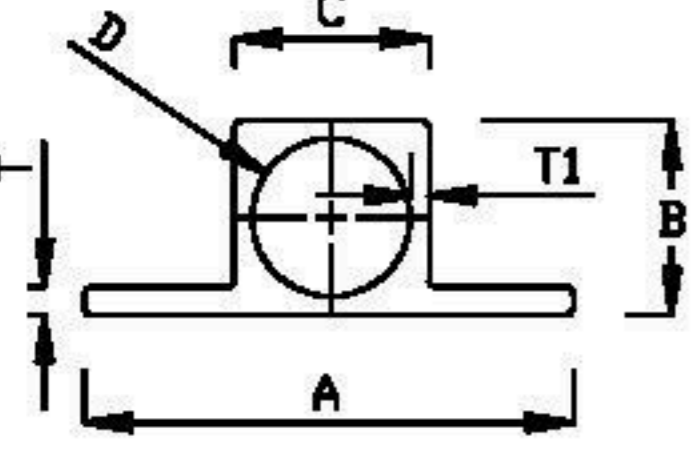
TOWER BOLT

| <p>12629 0.314 Kg/m</p>  | <p>12609 1.988Kg/m,</p>  | <p>12611 1.250Kg/m</p>  | | | | | | | | | | | | | | | | | | | | | | | | | | | | | | | | |
|-------------------------------------------------------------------------------------------------------------------------------|--------------------------------------------------------------------------------------------------------------------------------------------------------------------------------------------------------------------------------------------------------------------------------------------------------------------------------------------------------------------------------------------------------------------------------------------------------------------------------------------------------------------|-----------------------------------------------------------------------------------------------------------------------------------|-------|-------|--------|--------|-----|---|---|---|---|--------|--------|-------|-------|-------|-------|-------|------|------|-------|-------|-------|-------|-------|------|------|-------|-------|-------|-------|-------|------|------|
| <p>12613 2.611Kg/m</p>  | <p>12614 2.377Kg/m</p>  | <p>12621 2.186Kg/12'</p>  | | | | | | | | | | | | | | | | | | | | | | | | | | | | | | | | |
|  | <table border="1"> <thead> <tr> <th>SEC</th> <th>A</th> <th>B</th> <th>C</th> <th>D</th> <th>T</th> <th>Wt/12"</th> </tr> </thead> <tbody> <tr> <td>12608</td> <td>25.20</td> <td>12.90</td> <td>13.80</td> <td>10.50</td> <td>2.70</td> <td>1.52</td> </tr> <tr> <td>12617</td> <td>25.20</td> <td>12.80</td> <td>13.00</td> <td>10.80</td> <td>2.80</td> <td>1.37</td> </tr> <tr> <td>12625</td> <td>25.20</td> <td>12.80</td> <td>12.70</td> <td>10.80</td> <td>2.50</td> <td>1.32</td> </tr> </tbody> </table> | | | | | | SEC | A | B | C | D | T | Wt/12" | 12608 | 25.20 | 12.90 | 13.80 | 10.50 | 2.70 | 1.52 | 12617 | 25.20 | 12.80 | 13.00 | 10.80 | 2.80 | 1.37 | 12625 | 25.20 | 12.80 | 12.70 | 10.80 | 2.50 | 1.32 |
| SEC | A | B | C | D | T | Wt/12" | | | | | | | | | | | | | | | | | | | | | | | | | | | | |
| 12608 | 25.20 | 12.90 | 13.80 | 10.50 | 2.70 | 1.52 | | | | | | | | | | | | | | | | | | | | | | | | | | | | |
| 12617 | 25.20 | 12.80 | 13.00 | 10.80 | 2.80 | 1.37 | | | | | | | | | | | | | | | | | | | | | | | | | | | | |
| 12625 | 25.20 | 12.80 | 12.70 | 10.80 | 2.50 | 1.32 | | | | | | | | | | | | | | | | | | | | | | | | | | | | |
|  | <table border="1"> <thead> <tr> <th>SEC</th> <th>A</th> <th>B</th> <th>C</th> <th>D</th> <th>Wt/12"</th> </tr> </thead> <tbody> <tr> <td>12620</td> <td>23.70</td> <td>12.70</td> <td>17.60</td> <td>9.26</td> <td>2.10</td> </tr> </tbody> </table> | | | | | | SEC | A | B | C | D | Wt/12" | 12620 | 23.70 | 12.70 | 17.60 | 9.26 | 2.10 | | | | | | | | | | | | | | | | |
| SEC | A | B | C | D | Wt/12" | | | | | | | | | | | | | | | | | | | | | | | | | | | | | |
| 12620 | 23.70 | 12.70 | 17.60 | 9.26 | 2.10 | | | | | | | | | | | | | | | | | | | | | | | | | | | | | |

TOWER BOLT

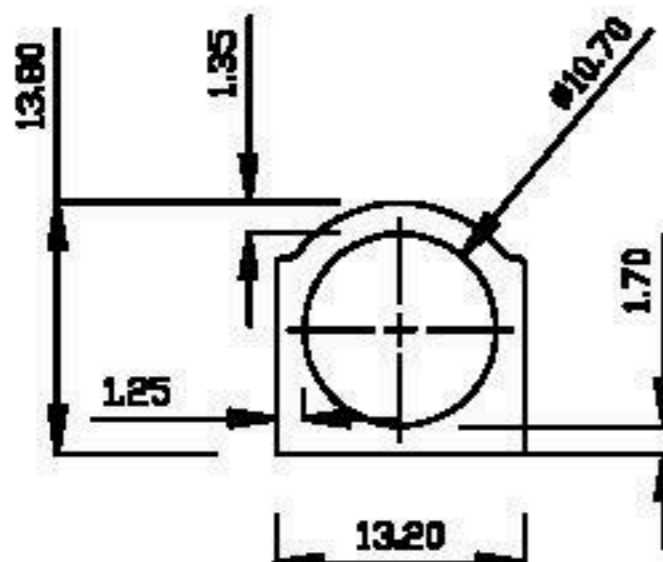


| SEC | A | B | C | D | T | T1 | Wt/12" |
|-------|-------|-------|-------|-------|------|------|--------|
| 11666 | 29.10 | 10.20 | 10.20 | 9.00 | 0.65 | 0.80 | 0.43 |
| 11671 | 29.80 | 11.00 | 11.00 | 9.80 | 0.75 | 0.80 | 0.48 |
| 11672 | 30.40 | 11.40 | 11.40 | 9.60 | 1.00 | 1.00 | 0.65 |
| 11674 | 30.40 | 12.00 | 11.90 | 10.10 | 1.35 | 1.35 | 0.85 |
| 11673 | 31.00 | 11.60 | 11.70 | 10.10 | 1.35 | 0.80 | 0.69 |
| 11675 | 31.70 | 13.00 | 13.00 | 10.80 | 1.30 | 1.10 | 0.86 |
| 11683 | 31.90 | 13.25 | 13.20 | 10.80 | 1.50 | 1.30 | 0.98 |
| 11685 | 34.80 | 12.10 | 12.20 | 11.00 | 1.02 | 0.80 | 0.62 |
| 11684 | 35.00 | 12.20 | 12.30 | 11.00 | 1.05 | 0.65 | 0.65 |
| 11676 | 35.80 | 13.40 | 13.20 | 11.20 | 1.20 | 1.00 | 0.88 |
| 11677 | 36.00 | 13.60 | 13.60 | 11.30 | 1.80 | 1.20 | 1.10 |
| 11680 | 36.80 | 13.20 | 13.10 | 11.50 | 1.70 | 0.80 | 0.92 |
| 11678 | 37.70 | 15.50 | 15.30 | 12.50 | 1.65 | 1.40 | 1.40 |
| 11687 | 37.85 | 16.05 | 16.35 | 12.50 | 2.10 | 1.92 | 1.60 |
| 11681 | 38.20 | 14.80 | 14.60 | 12.20 | 2.20 | 1.20 | 1.28 |
| 11679 | 43.90 | 15.80 | 16.50 | 13.30 | 2.00 | 2.20 | 1.59 |

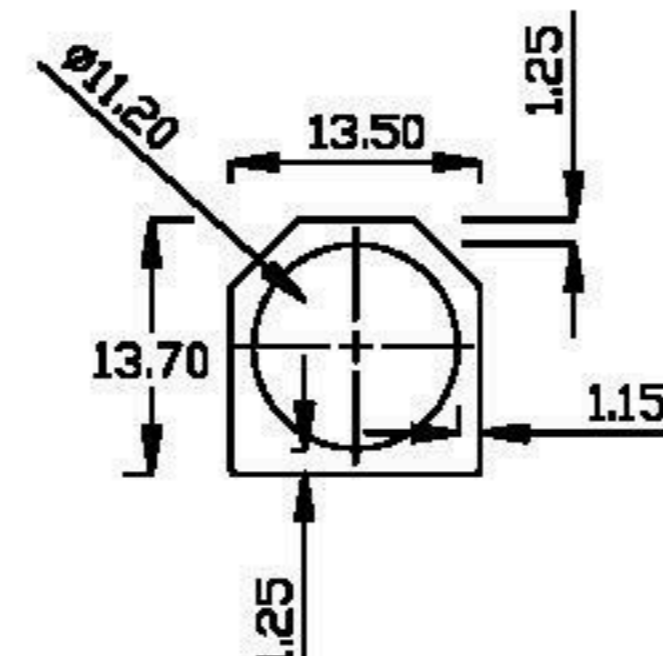


| SEC | A | B | C | D | T | T1 | Wt/12" |
|-------|-------|-------|-------|-------|------|------|--------|
| 11693 | 25.40 | 10.10 | 10.10 | 8.30 | 1.50 | 0.90 | 0.70 |
| 11699 | 31.30 | 12.35 | 12.30 | 10.80 | 1.10 | 0.75 | 0.80 |
| 11694 | 31.70 | 12.55 | 12.60 | 10.80 | 1.30 | 0.90 | 0.90 |
| 11696 | 31.70 | 12.70 | 12.70 | 10.80 | 1.50 | 0.90 | 0.98 |
| 11698 | 31.70 | 12.40 | 12.40 | 10.80 | 1.35 | 0.80 | 0.87 |
| 11692 | 37.00 | 15.30 | 15.30 | 12.30 | 2.00 | 1.50 | 1.56 |
| 11697 | 37.00 | 14.80 | 14.80 | 12.30 | 1.70 | 1.25 | 1.36 |
| 12627 | 37.00 | 14.80 | 14.50 | 12.30 | 1.50 | 1.10 | 1.25 |

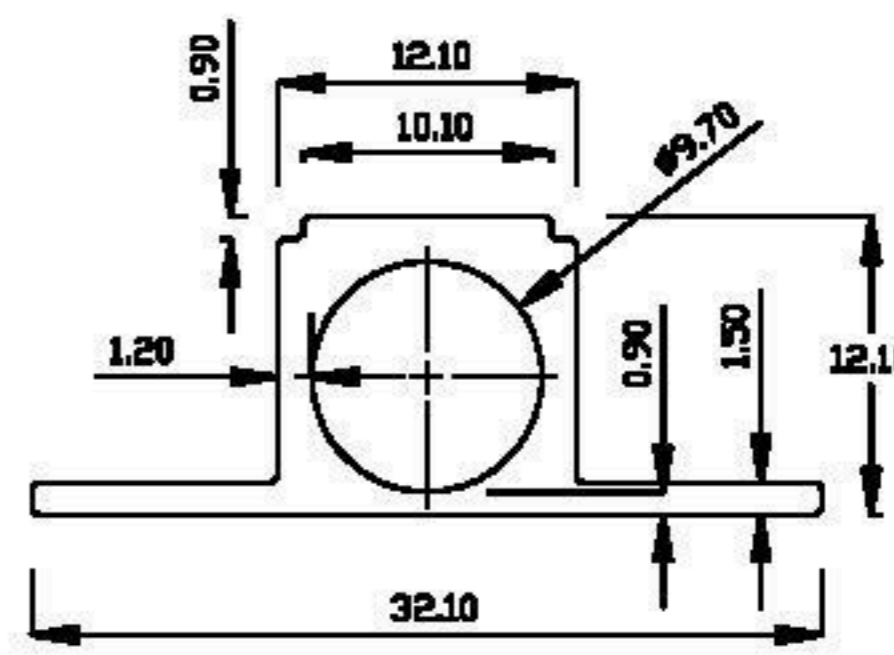
11666 **0.206 Kg/m**



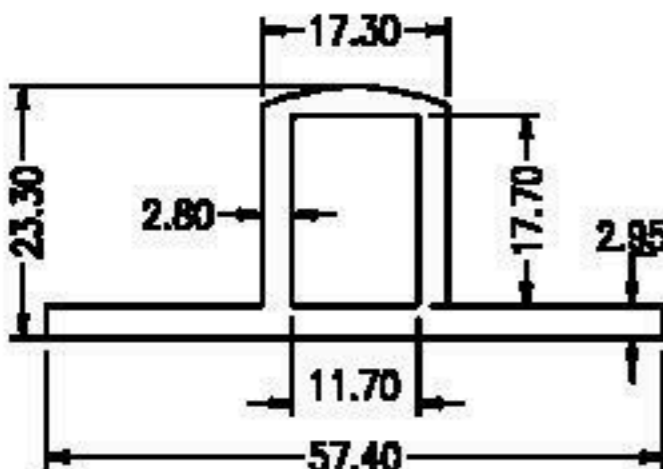
11663 **0.192 Kg/m**



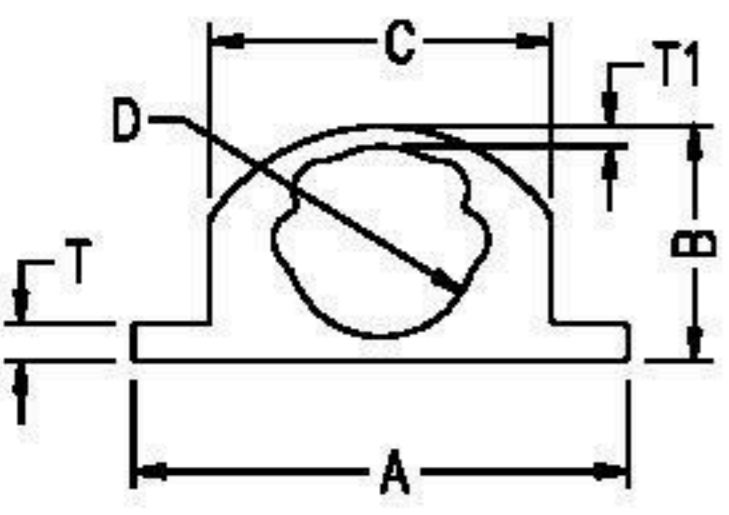
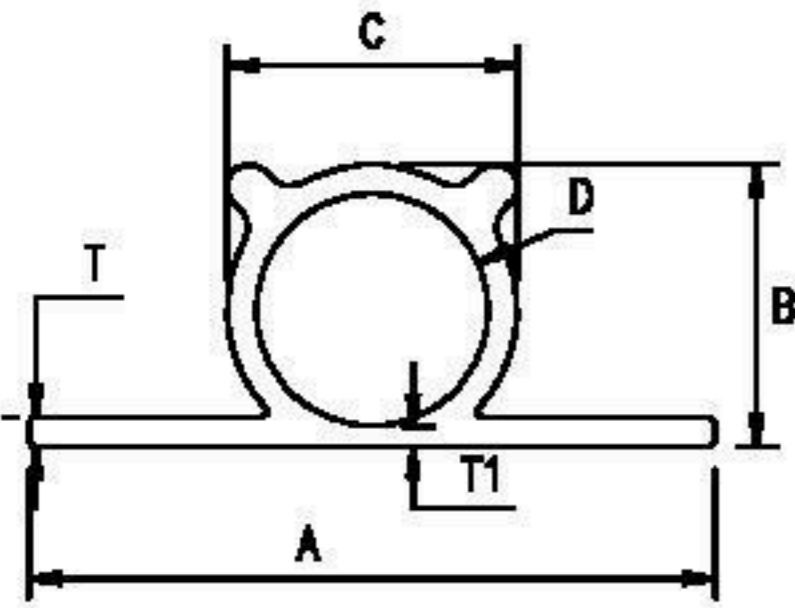
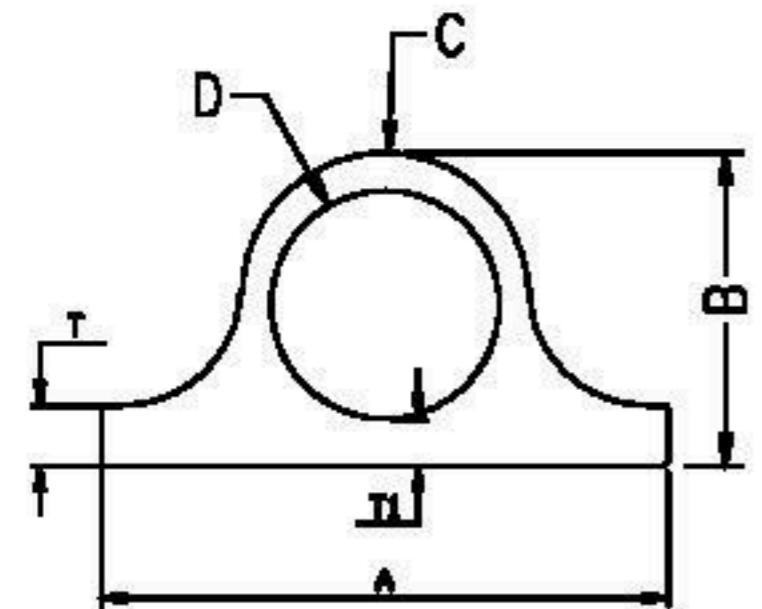
11667 **0.272 Kg/m**



12631 **0.819 Kg/m**



TOWER BOLT

| | SEC | A | B | C | D | T | T1 | KG/M |
|-------------------------------------------------------------------------------------|-------|-------|-------|-------|-------|------|------|-------|
|  | 12630 | 32.00 | 15.20 | 22.00 | 12.35 | 2.40 | 1.45 | 0.519 |
| | 12619 | 43.80 | 16.20 | 17.00 | 12.20 | 1.85 | 1.72 | 0.475 |
|  | 12626 | 31.70 | 13.00 | 13.40 | 10.80 | 1.40 | 0.95 | 0.248 |
| | 12623 | 38.00 | 17.60 | 16.60 | 12.70 | 2.20 | 2.90 | 0.499 |
|  | 12624 | 26.20 | 14.50 | 13.20 | 10.60 | 2.80 | 2.15 | 0.362 |
| | 12607 | 26.20 | 14.80 | 14.40 | 10.60 | 3.20 | 2.40 | 0.412 |