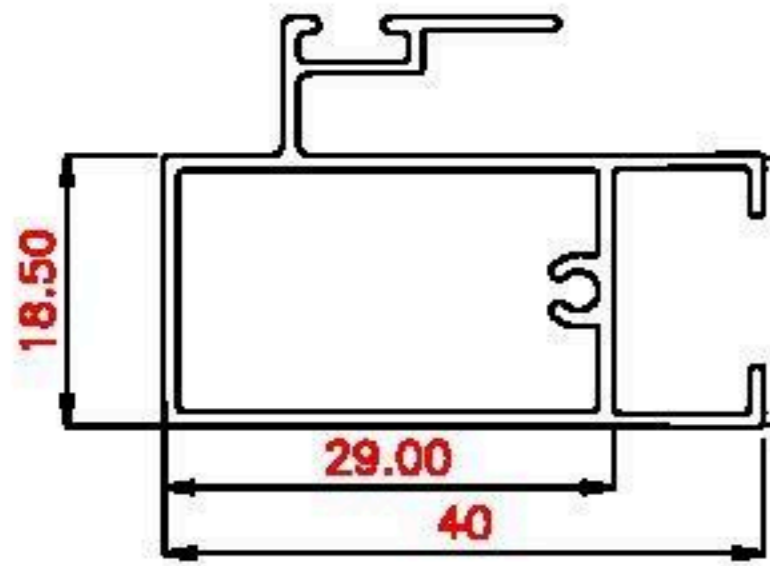


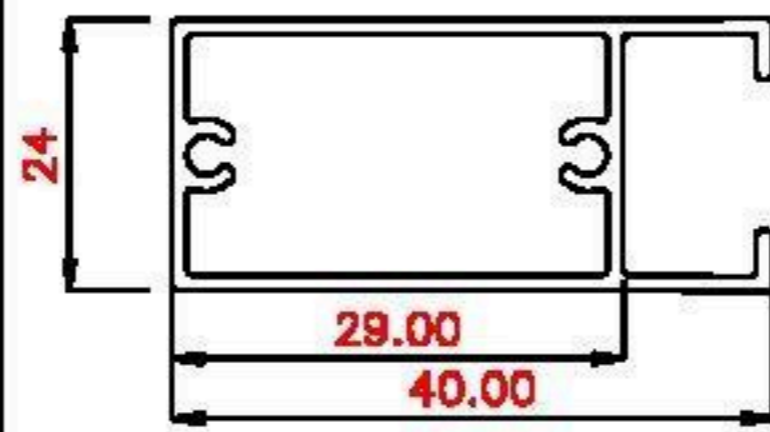
# EXTRUSION

# VALCO

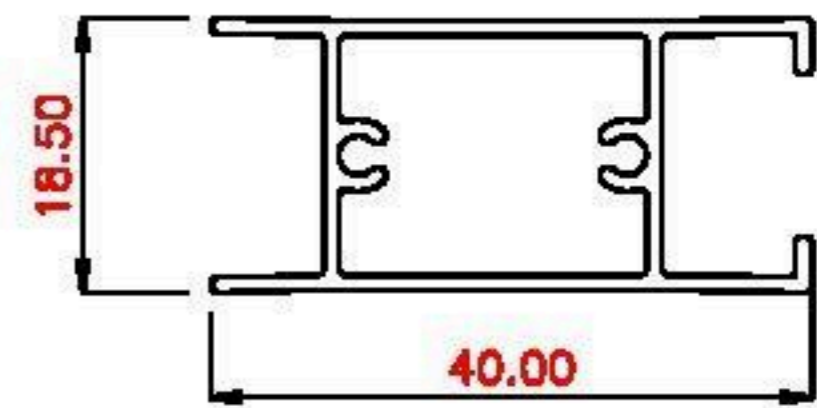
## SLIDING WINDOWS



S.L. NO.	Section No.	T	Weight Kg/m
1	13201	1.00	0.421
2	13202	1.20	0.481
3	13203	1.60	0.615

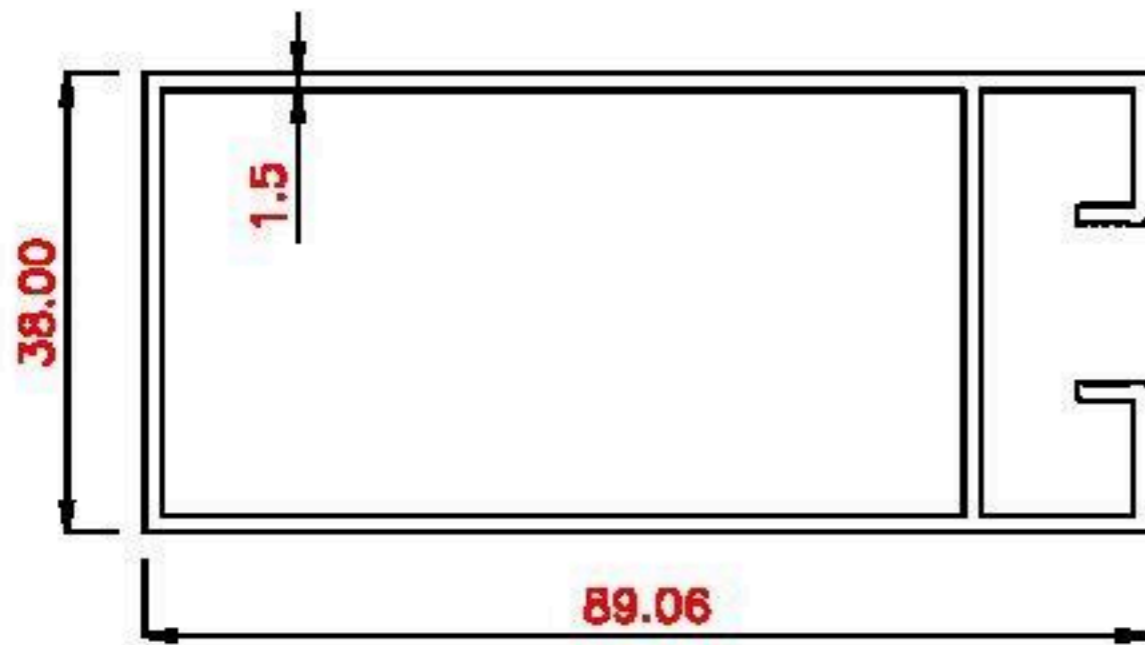


S.L. NO.	Section No.	T	Weight Kg/m
1	13206	1.00	0.345
2	13207	1.20	0.400
3	13208	1.60	0.550

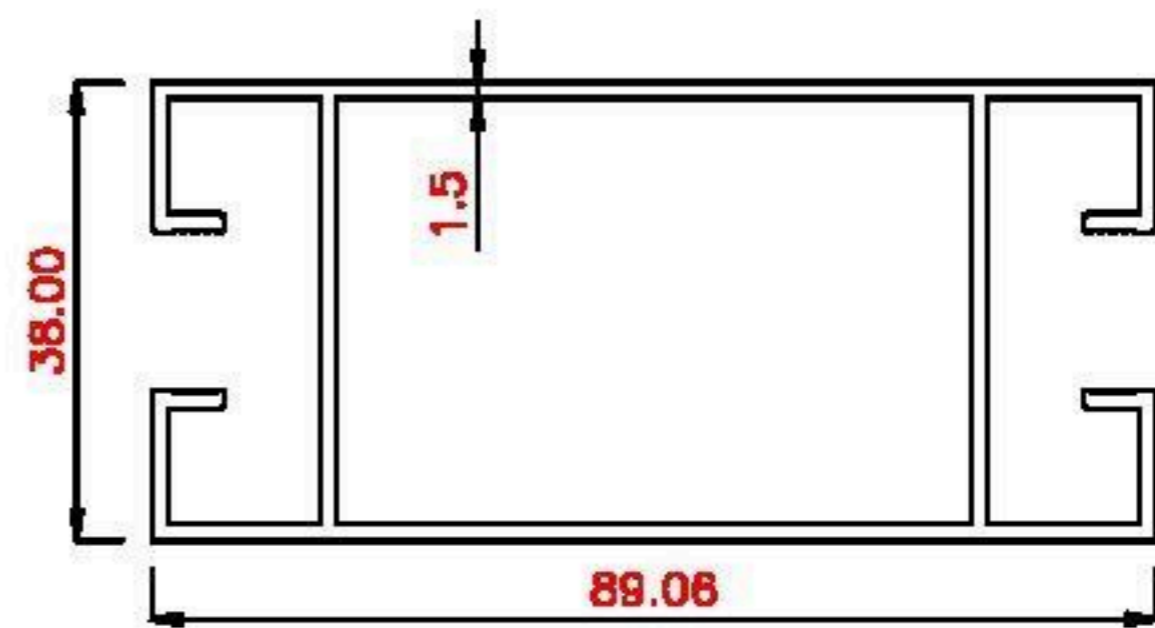


S.L. NO.	Section No.	T	Weight Kg/m
1	13215	1.00	0.345
2	13216	1.20	0.400
3	13217	1.60	0.550

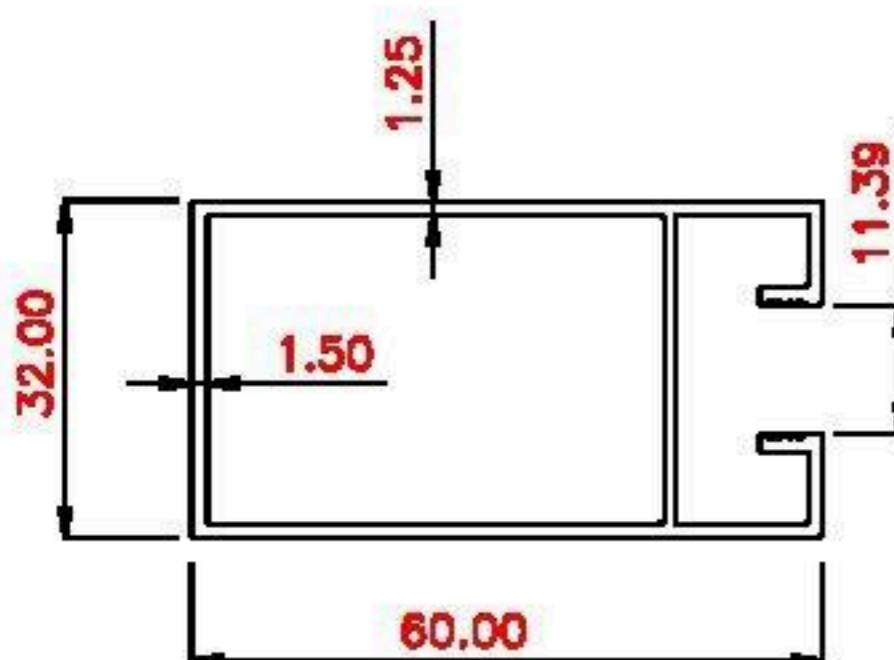
13272 1.105Kg/m



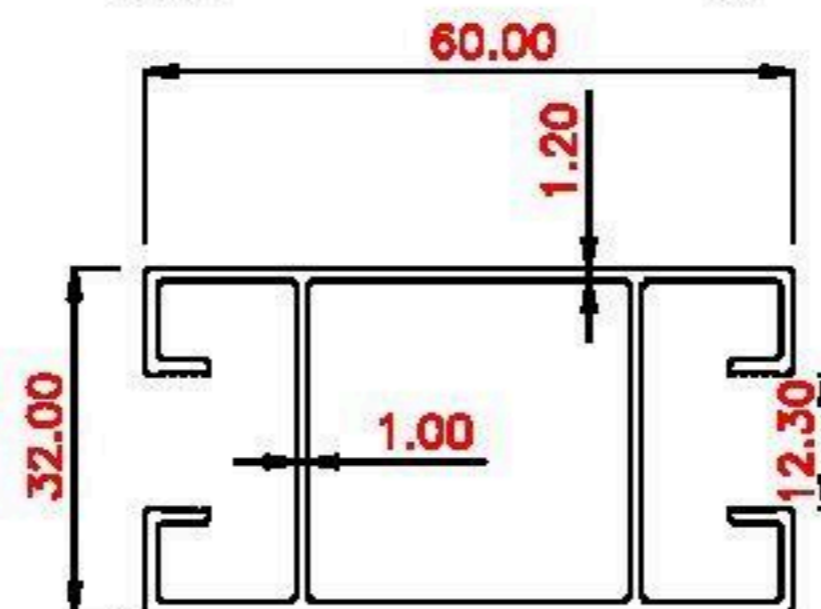
13273 1.151Kg/m



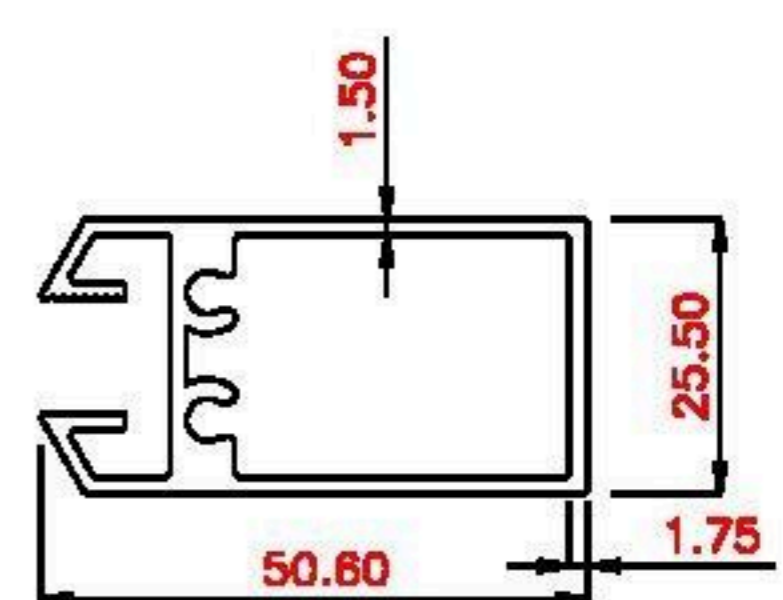
13271 0.655Kg/m



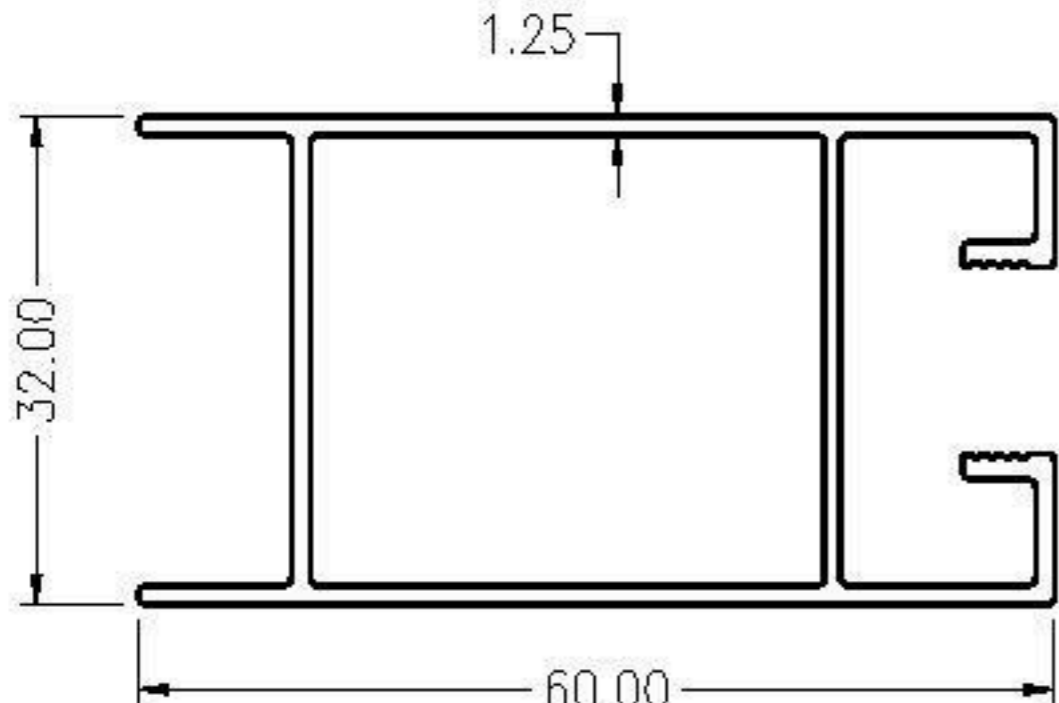
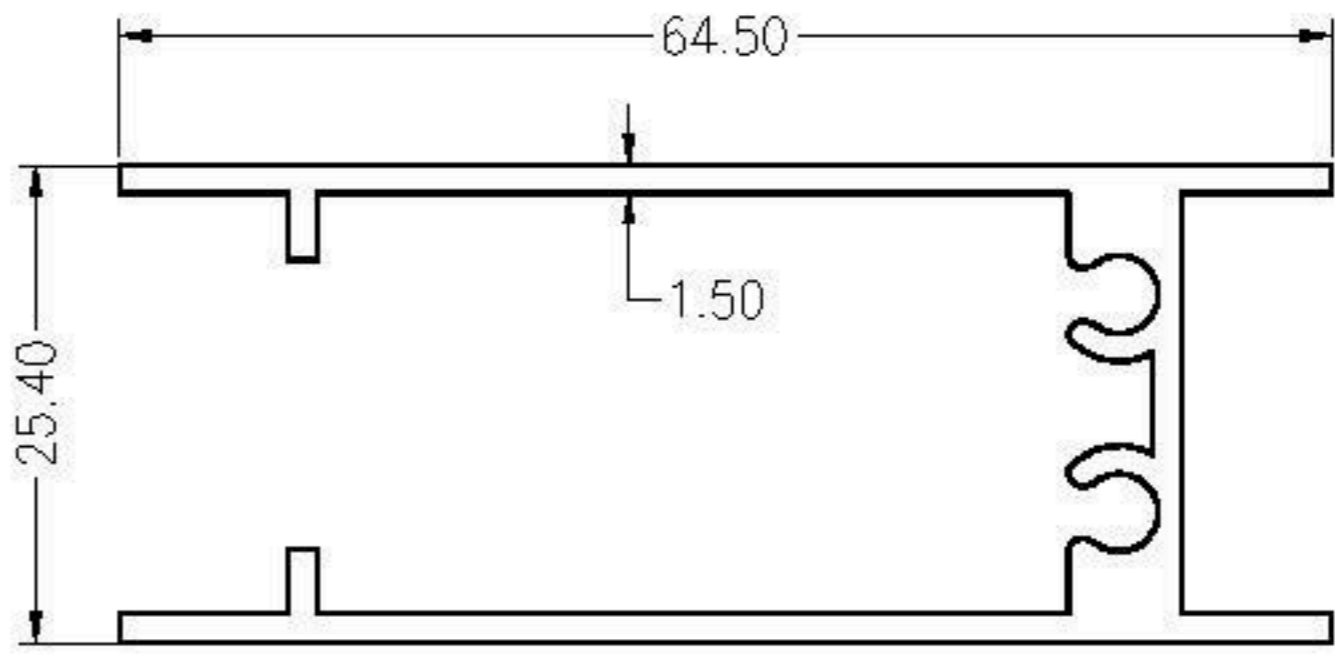
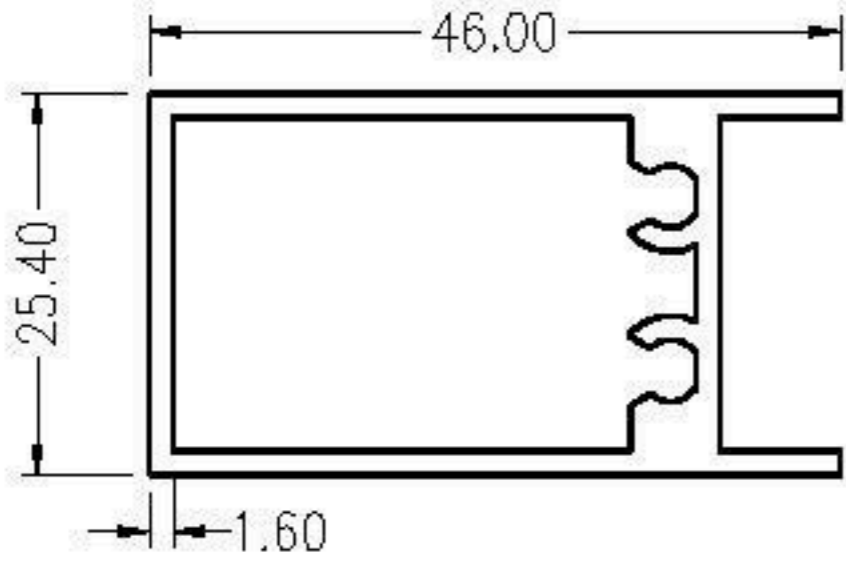
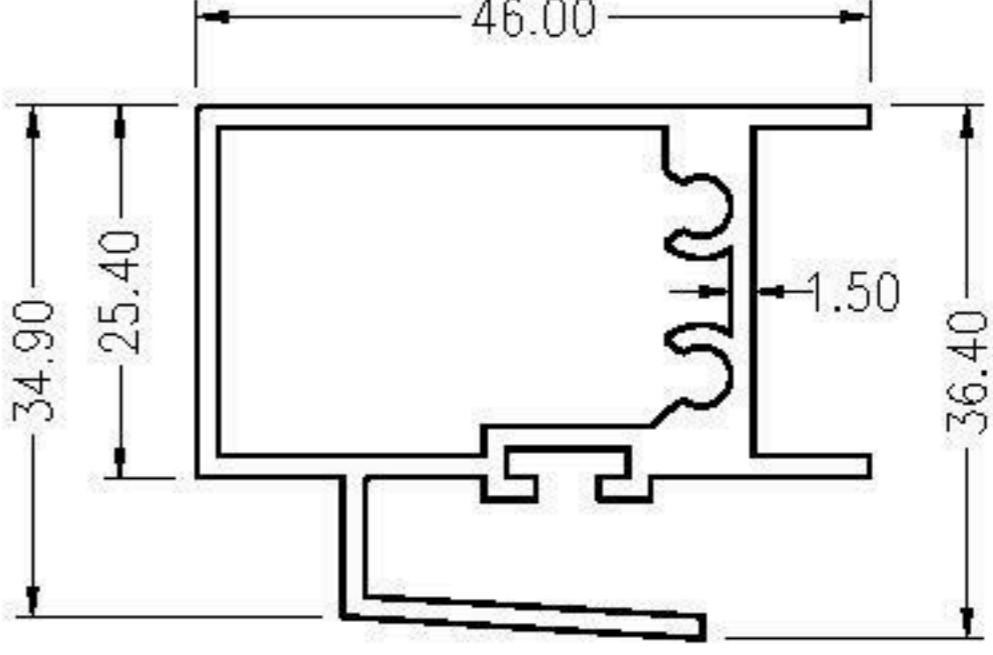
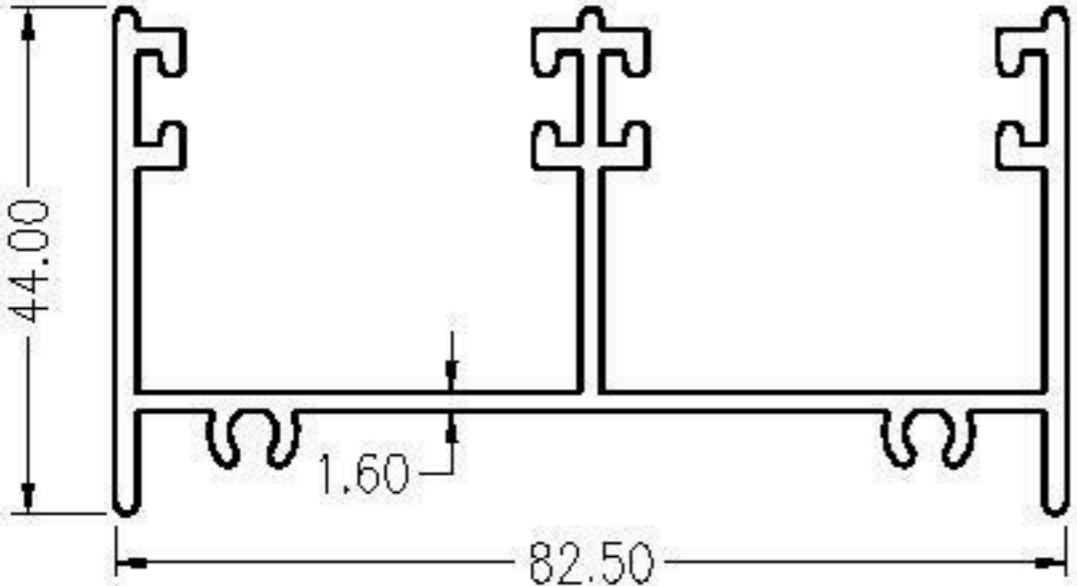
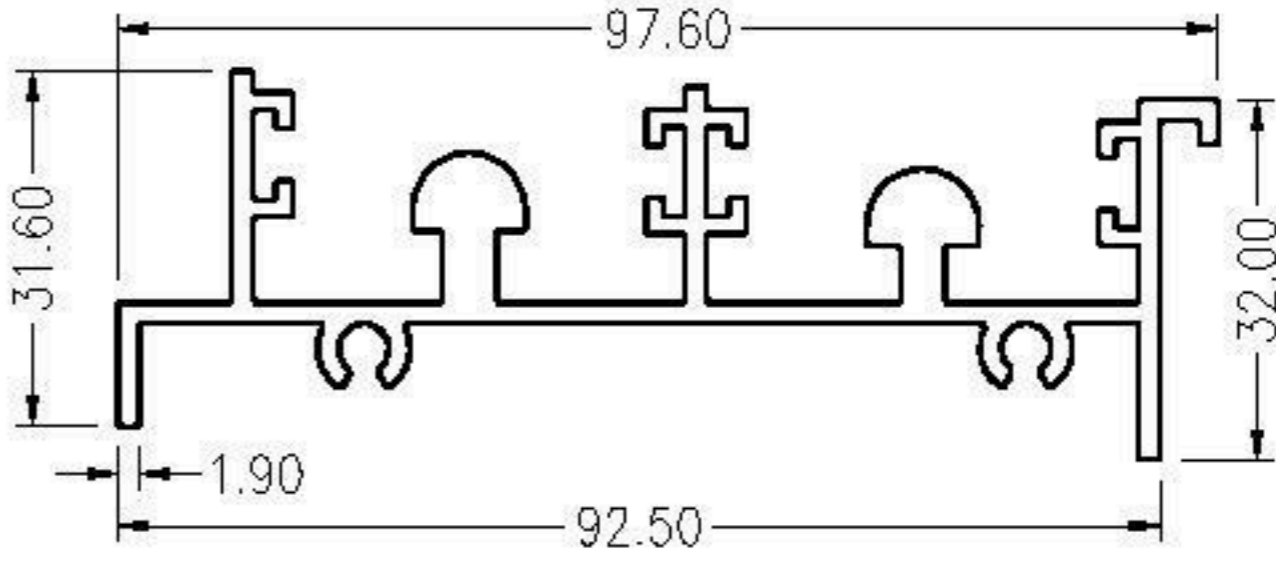
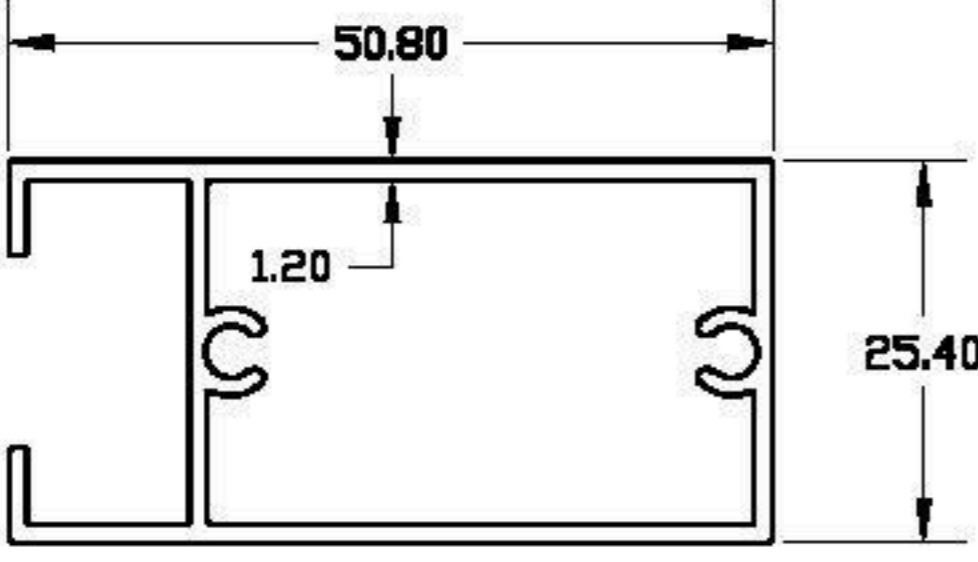
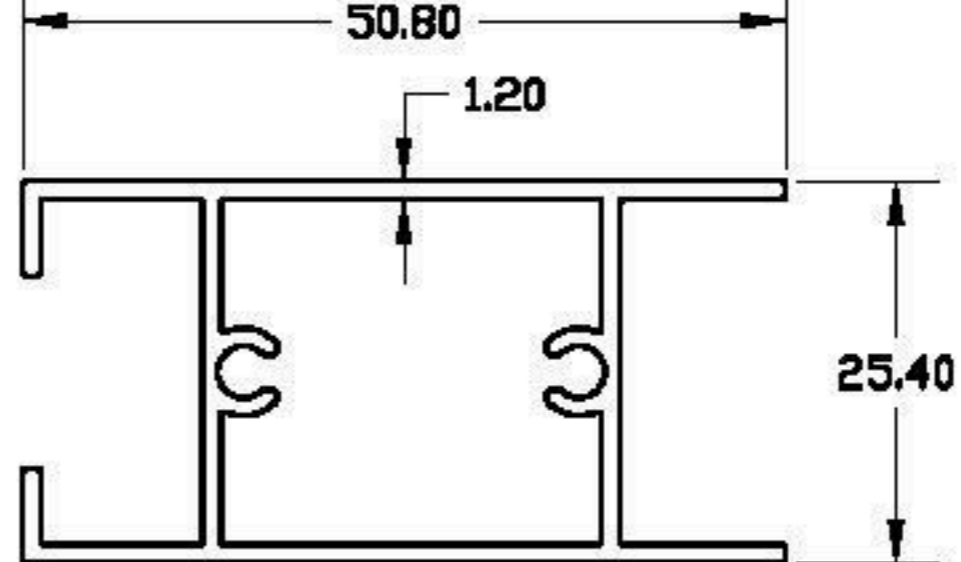
13274 0.778 Kg/m



13276 0.875Kg/m



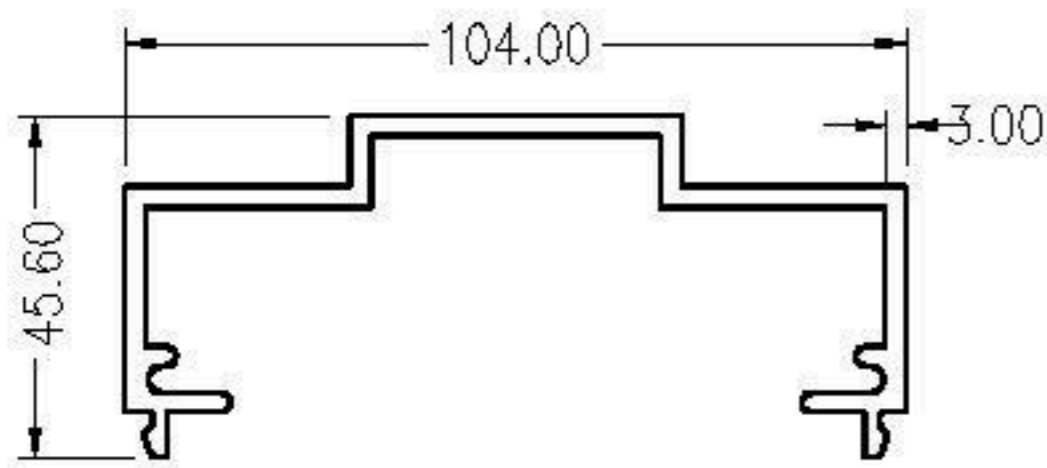
# SLIDING WINDOWS

<p><b>13275</b>      <b>0.960 Kg/m</b></p> 	<p><b>13180</b>      <b>0.785 Kg/m</b></p> 
<p><b>13181</b>      <b>0.726 Kg/m</b></p> 	<p><b>13182</b>      <b>0.882 Kg/m</b></p> 
<p><b>13277</b>      <b>1.300 Kg/m</b></p> 	<p><b>13278</b>      <b>1.666 Kg/m</b></p> 
<p><b>18633</b>      <b>0.583 Kg/m</b></p> 	<p><b>18634</b>      <b>0.583 Kg/m</b></p> 

# SLIDING WINDOWS

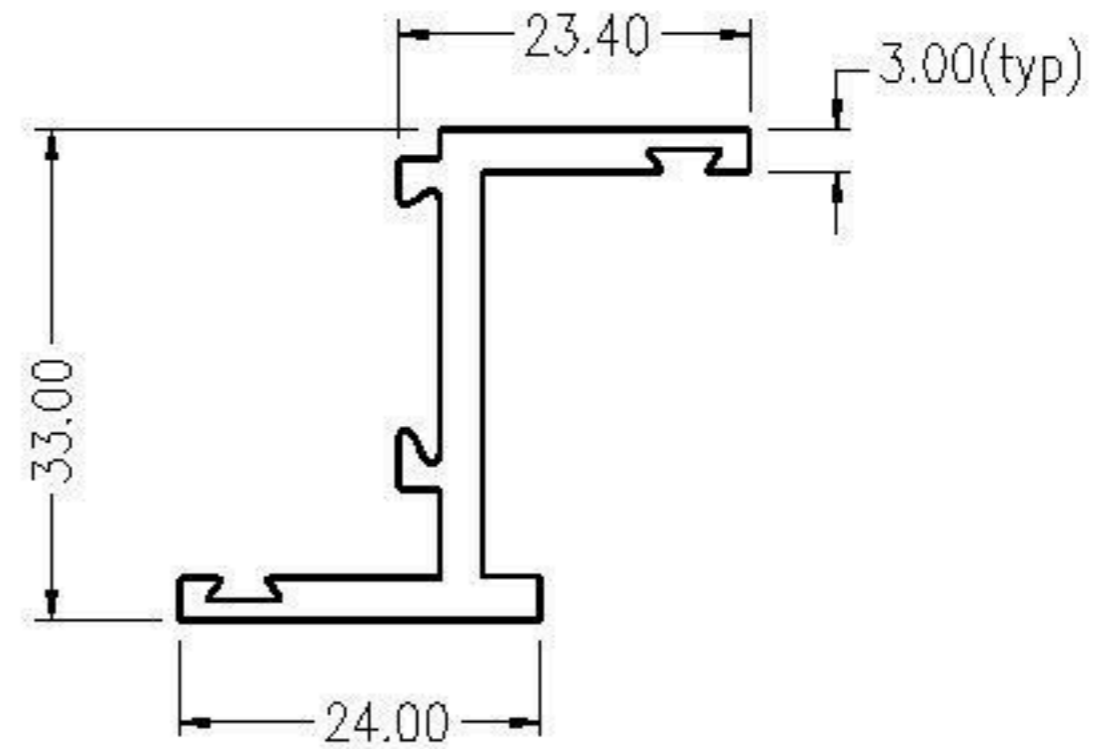
**18890**

**1.626 Kg/m**



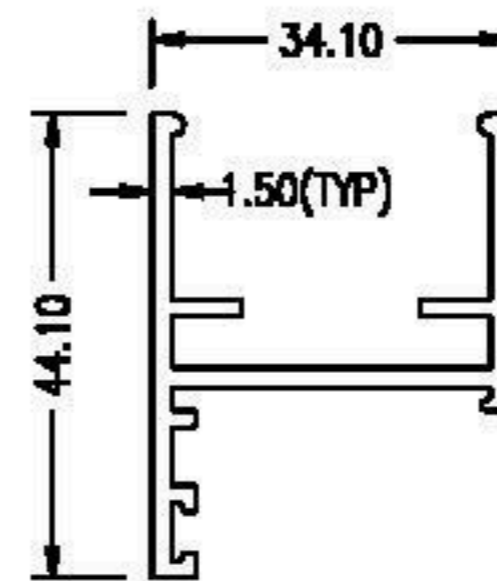
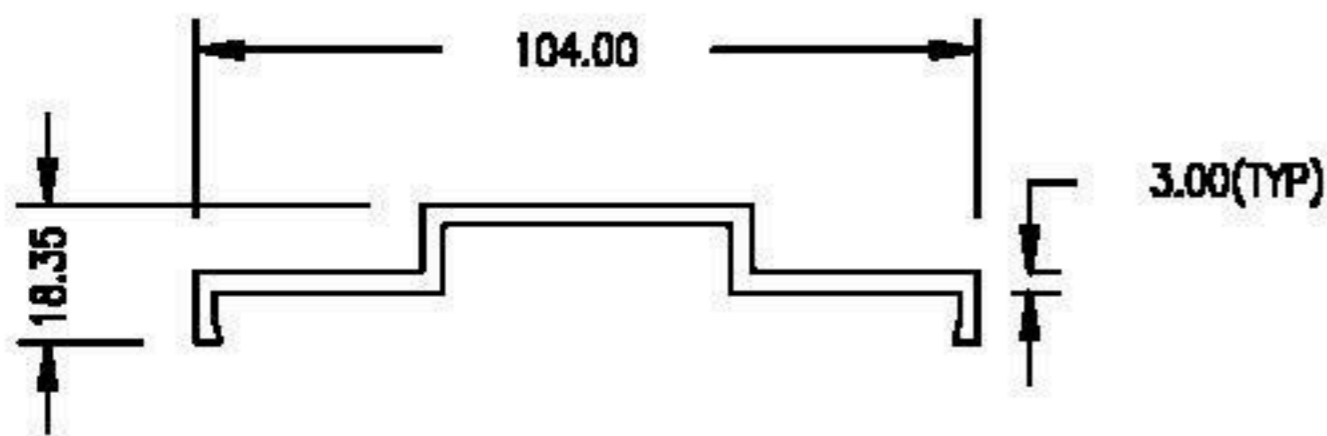
**18891**

**0.635 Kg/m**



**18892**

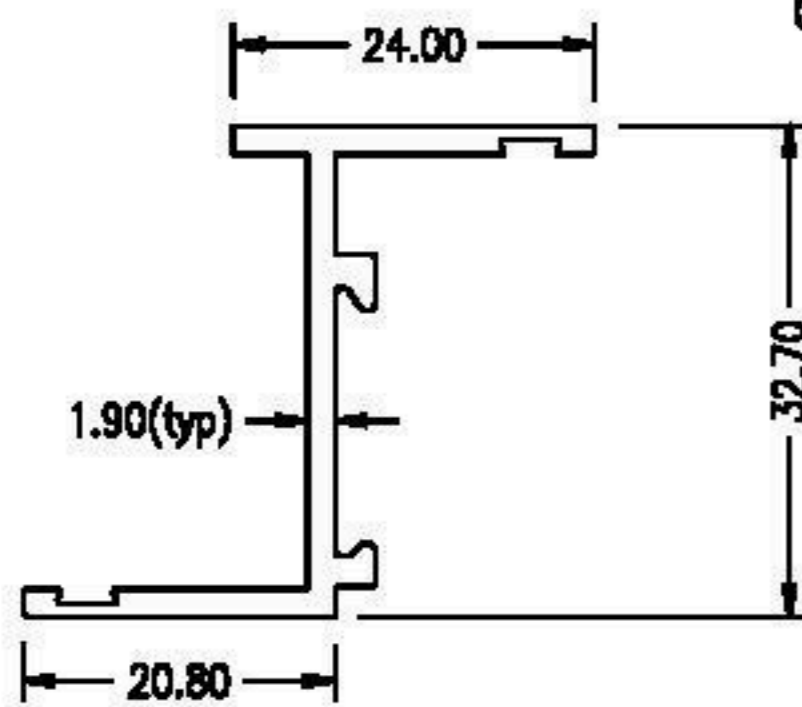
**1.015 Kg/m**



SECTION NO.	THICK.	WEIGHT
20052(A)	1.5	0.585 KG
20052(B)	2.00	0.655 KG

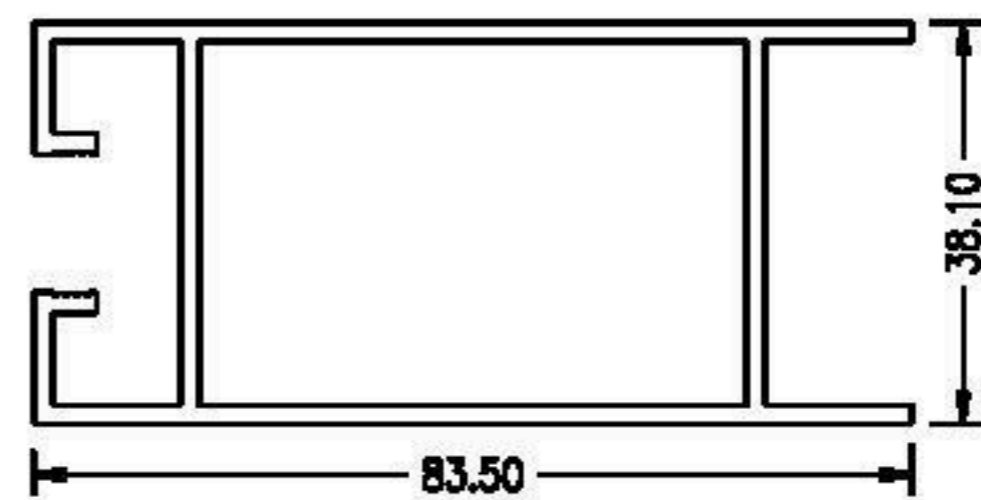
**20053**

**0.412 Kg/m**



**13279**

**1.314 Kg/m**



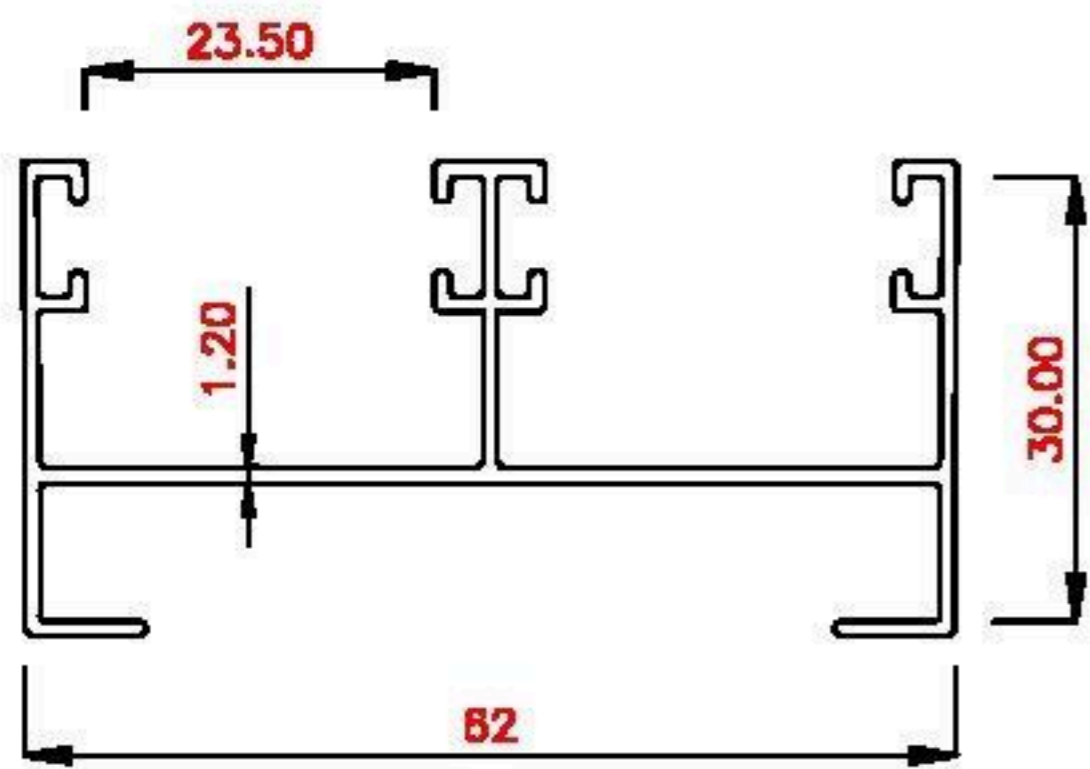
# EXTRUSION

# VALCO

## SLIDING WINDOWS

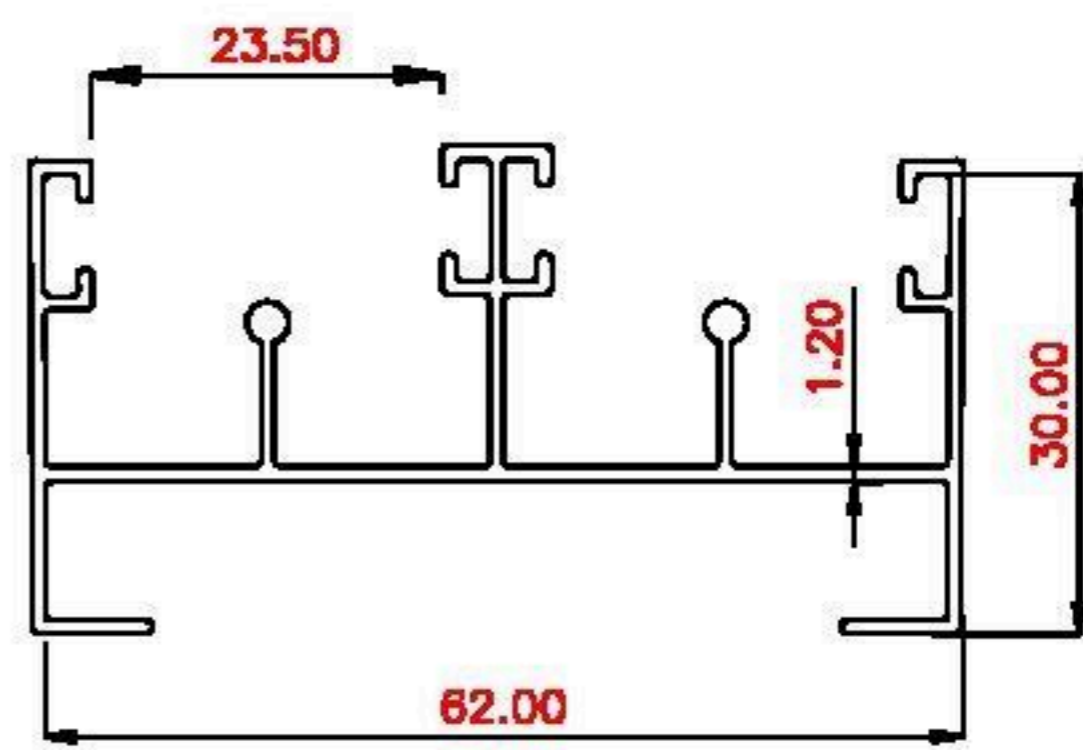
13251

0.491Kg/m



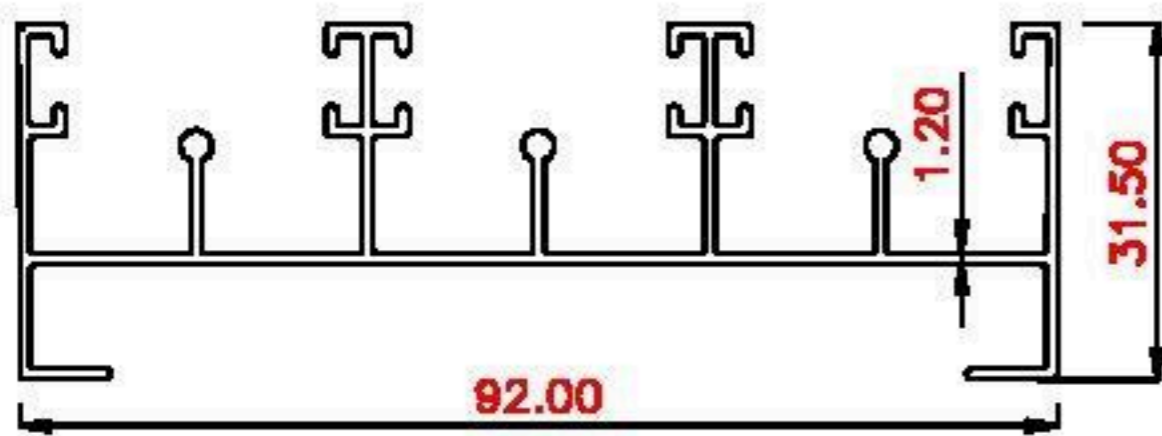
13258

0.561Kg/m



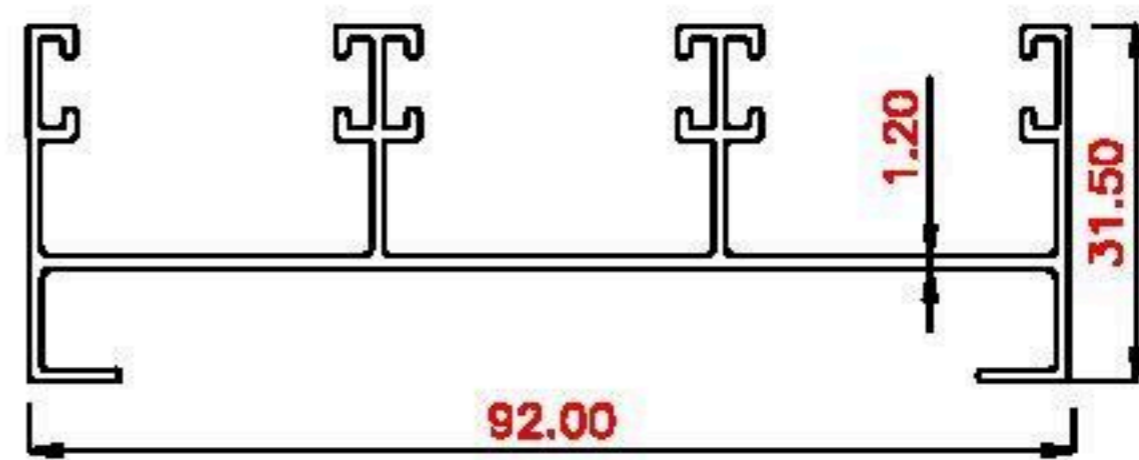
13266

0.945Kg/m



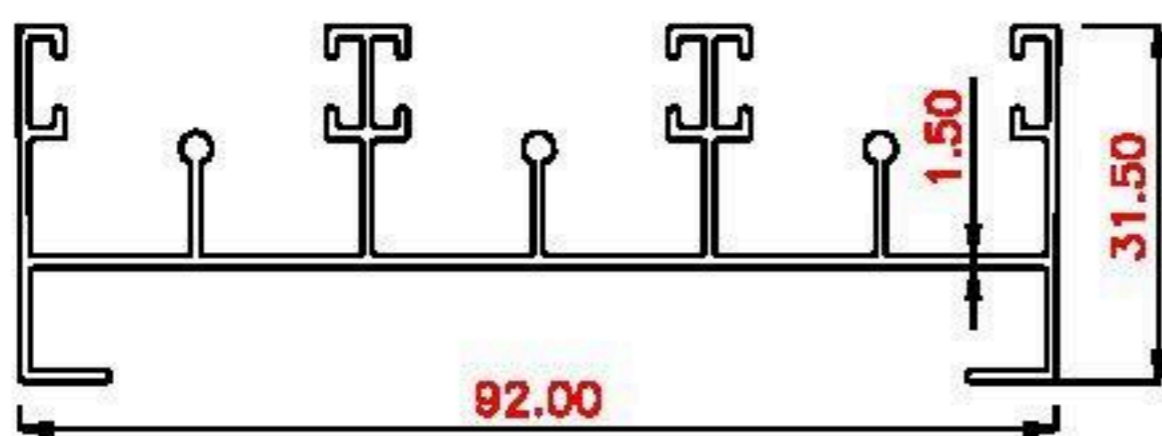
13261

0.951Kg/m



13267

1.152Kg/m



13262

1.252Kg/m

