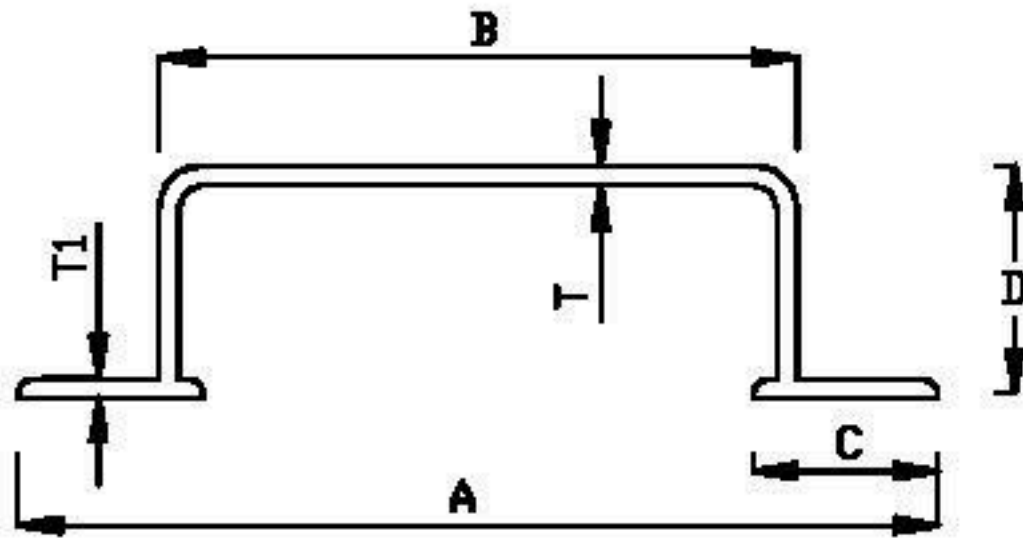
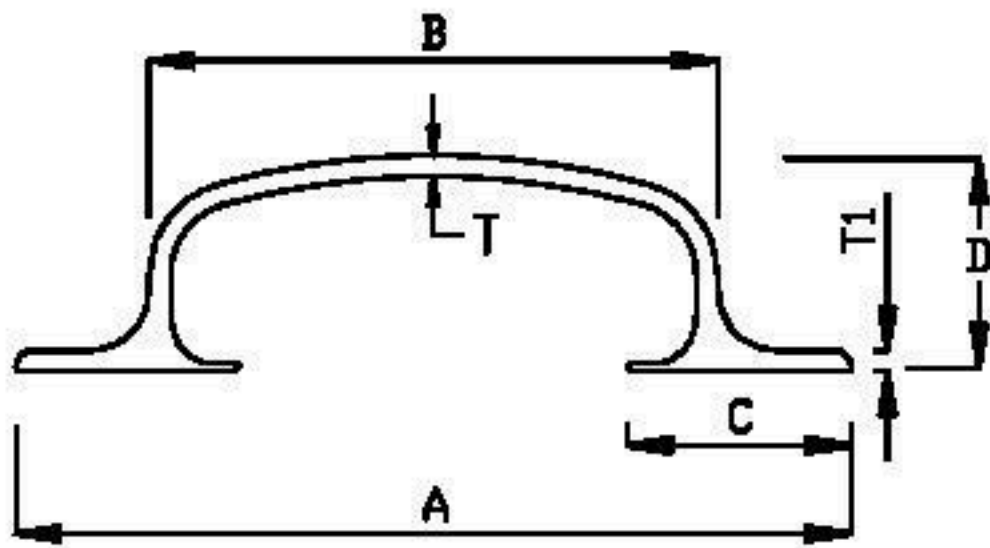


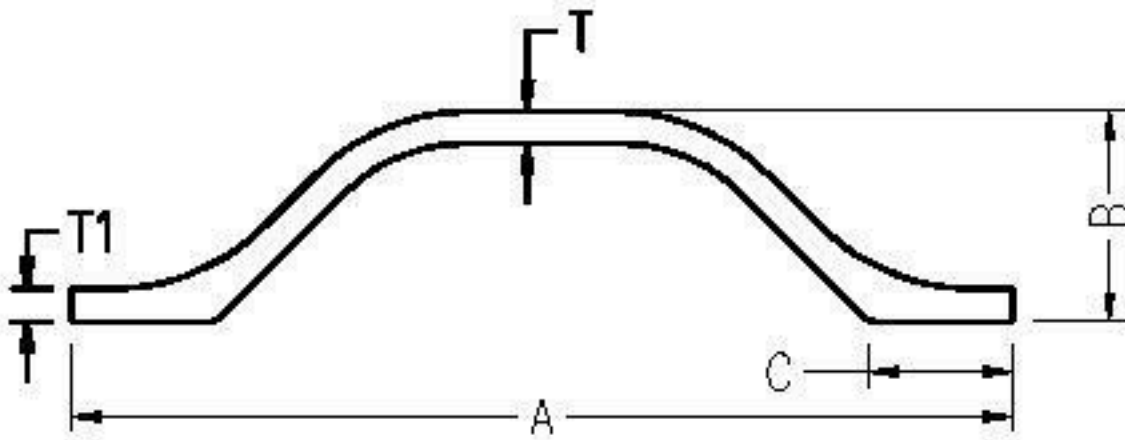
HANDLES



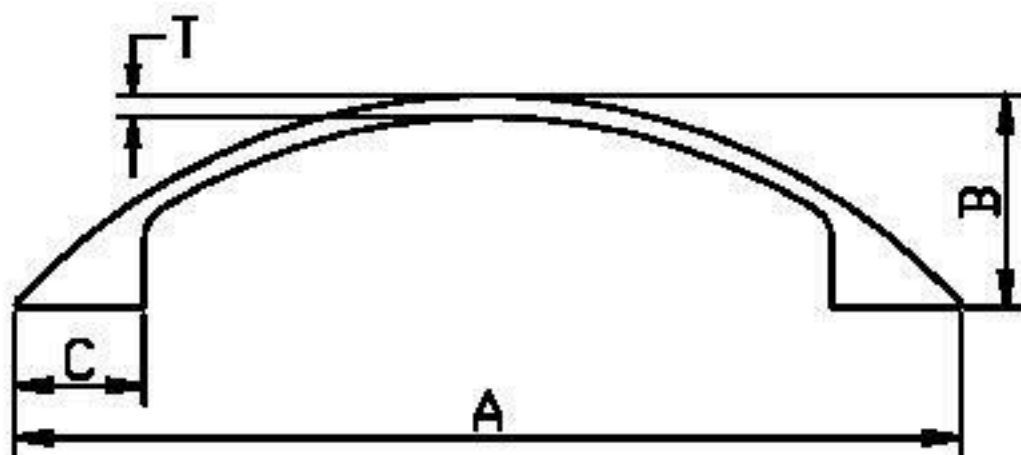
SEC	A	B	C	D	T	T1	Wt/12"
11867	100.00	68.30	21.80	28.00	2.80	2.30	4.00
11855	100.00	68.00	22.00	25.00	3.30	2.90	3.90
11868	120.00	74.00	27.00	25.00	2.50	1.60	3.30
11880	120.00	75.00	28.00	25.00	3.00	1.80	4.00
11865	124.00	78.00	28.00	28.00	3.20	2.00	4.80
11861	124.00	78.00	28.00	28.00	3.50	2.50	5.50
11862	127.00	83.00	28.00	31.00	4.00	3.00	6.10
11863	127.00	86.00	29.00	32.50	4.30	3.30	6.80
11864	127.00	86.00	29.00	32.50	4.50	3.50	7.50
11870	144.00	102.00	27.00	25.00	3.00	1.80	4.80
11875	145.00	104.00	27.00	27.00	3.20	2.20	5.50
11871	146.00	104.00	27.00	30.00	3.70	2.40	6.40
11872	147.00	104.00	28.00	30.00	4.10	2.60	7.10
11873	148.00	104.00	28.00	31.00	4.40	3.20	7.70
11874	148.00	107.00	28.00	31.00	4.70	3.70	8.10



11831	100.00	66.00	31.00	31.00	2.00	1.50	4.00
11805	118.00	81.00	28.70	33.00	2.50	2.10	4.00
11804	119.00	81.00	24.40	33.00	1.55	1.50	2.70
11832	123.00	73.00	31.00	31.00	3.00	2.10	4.00
11833	125.00	75.00	31.00	31.00	3.20	2.80	4.80
11834	125.00	75.00	31.00	31.00	3.30	2.70	5.30
11835	125.00	75.00	32.00	32.00	4.00	3.50	6.20
11836	125.00	75.00	32.00	32.00	4.30	3.70	6.60
11838	126.00	78.00	33.50	28.00	1.75	1.55	3.40
11839	118.50	79.00	25.70	30.50	2.90	1.20	4.49
11842	145.00	98.00	36.00	36.00	3.50	2.20	4.90
11843	147.00	99.00	37.00	37.00	4.10	2.50	5.60
11844	147.00	99.00	37.00	37.00	4.30	2.70	6.40
11845	150.00	100.00	38.00	38.00	4.00	3.50	7.20
11846	150.00	100.00	38.00	38.00	4.40	3.70	7.60
11815	140.00	99.10	28.25	33.26	2.50	2.10	4.74
11849	140.50	82.00	30.00	34.00	2.90	1.70	4.05

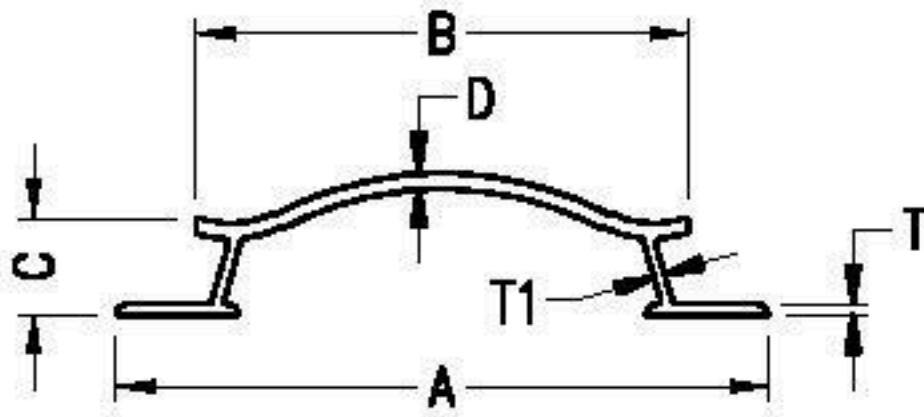


SEC	A	B	C	T	T1	Wt/12"
11878	130.00	29.00	20.00	4.50	4.50	6.96
11877	150.00	29.00	20.00	4.50	4.50	7.90

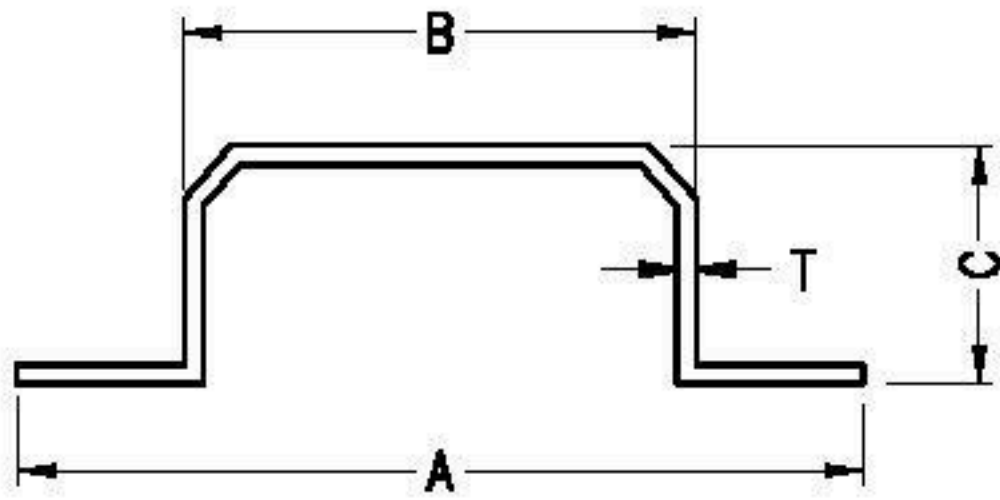


SEC	A	B	C	T	Wt/12"
11889	130.50	29.40	17.80	3.00	6.01
11879	150.00	29.40	17.80	3.00	6.29

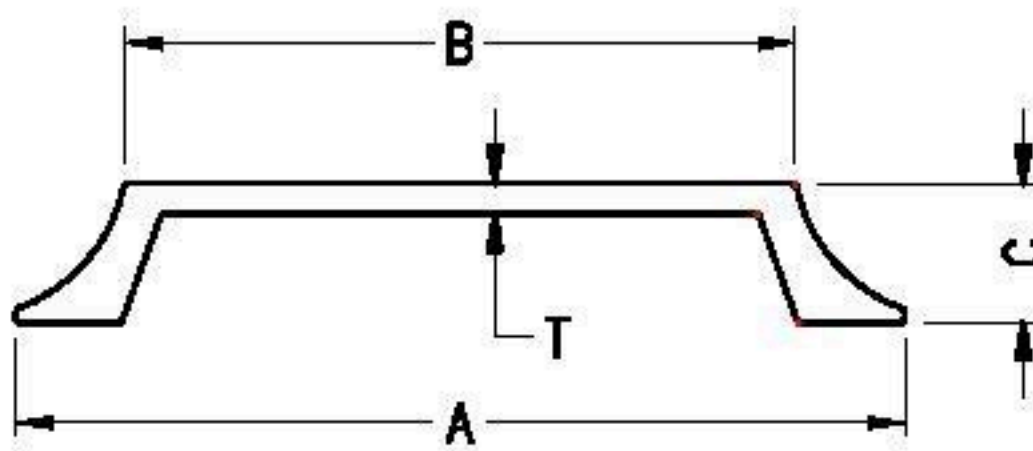
HANDLES



SEC	A	B	C	D	T	T1	Wt/12"
11857	103.65	69.90	18.50	1.95	1.60	1.90	2.80
11891	103.65	69.90	18.50	2.60	2.00	2.60	3.50
11881	120.00	85.00	27.40	1.95	1.89	1.93	3.66
11883	120.50	85.00	27.42	3.82	2.72	3.62	6.25
11882	140.00	104.99	21.91	2.50	1.90	2.18	4.48
11884	145.42	110.40	21.40	4.11	2.53	3.93	7.13
11853	145.75	110.00	21.71	3.60	2.50	2.60	6.19
11852	145.75	110.00	21.71	3.60	2.50	2.60	6.19

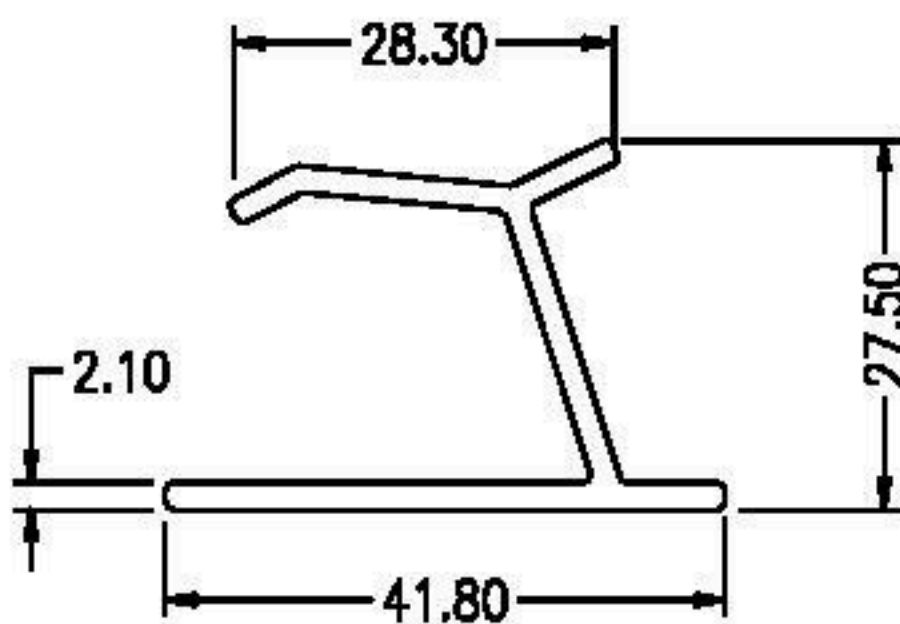


SEC	A	B	C	T	Wt/12"
11851	84.20	51.00	26.50	2.40	2.50
11858	84.30	51.10	24.00	2.60	3.14
11856	102.80	69.80	23.30	2.60	3.44

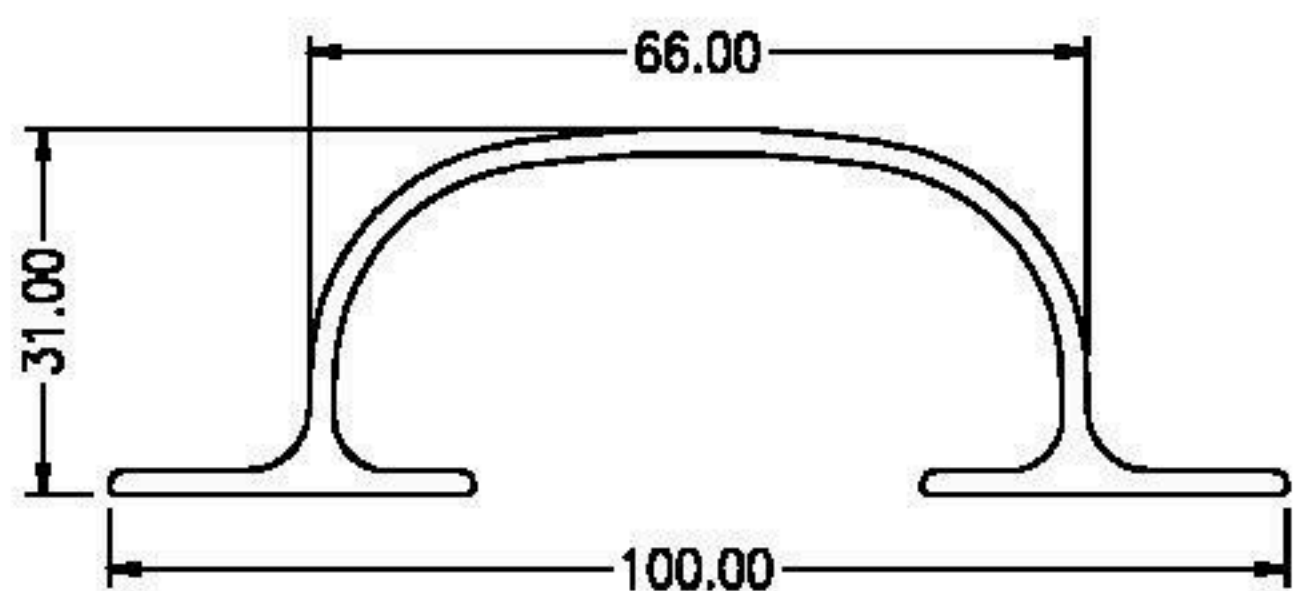


SEC	A	B	C	T	Wt/12"
11890	100.00	56.55	22.00	3.70	4.34
11889	123.00	86.00	23.30	2.60	6.91
11887	123.00	86.00	23.30	5.00	8.47
11888	150.00	113.00	23.30	5.00	7.90
11886	150.00	113.00	23.30	5.00	9.88

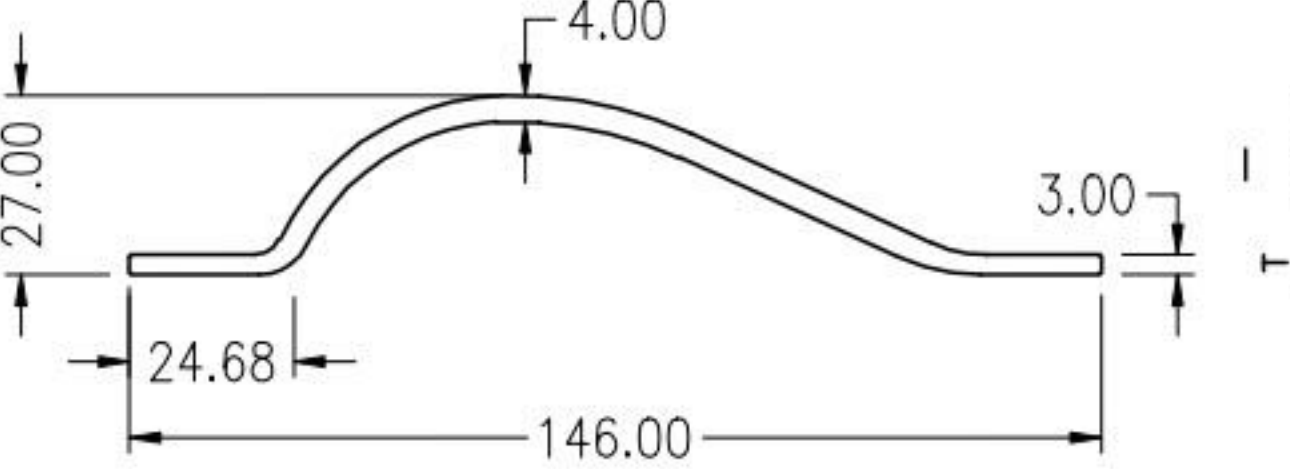
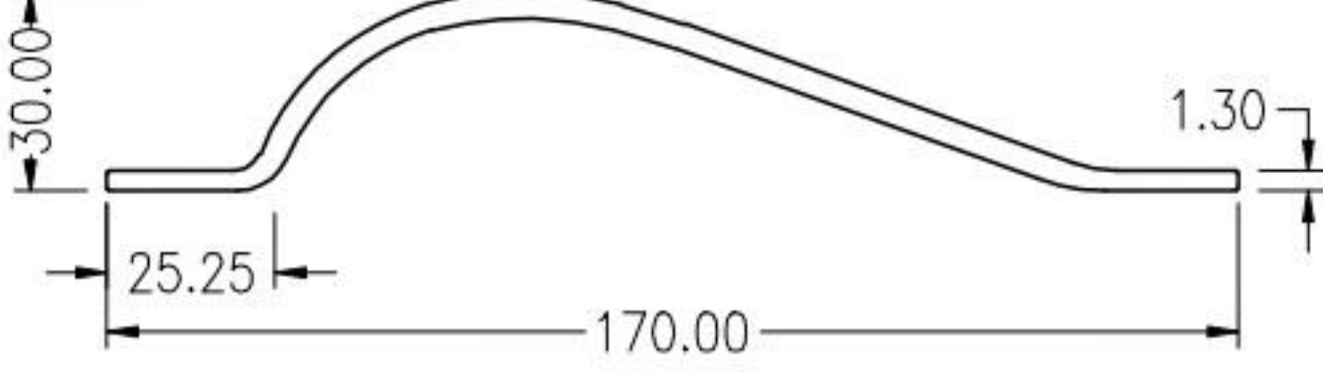
11885 0.521Kg/m



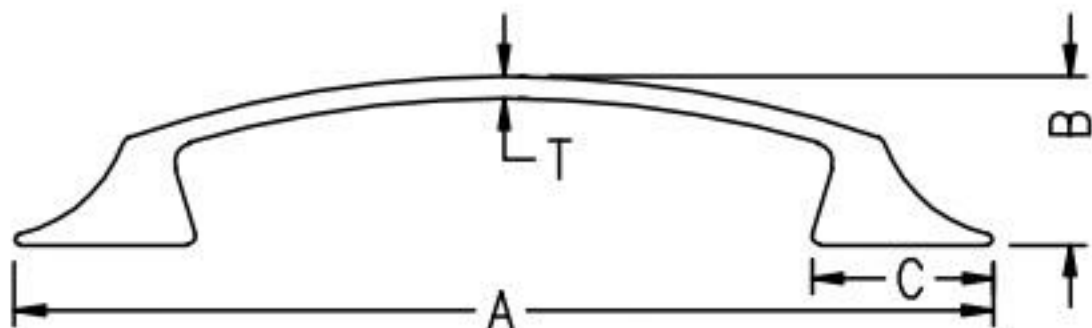
11892 0.962 Kg/m



HANDLES

<p>18381 1.620 Kg/mt</p> 	<p>18382 1.892 Kg/mt</p> <p style="text-align: right;">Wt/12'</p> 
--	---

--	--

	SEC	A	B	C	T	Wt/12"
	11894	165.00	28.50	30.58	3.80	10.48
	11895	195.00	28.50	30.58	3.80	10.68

--