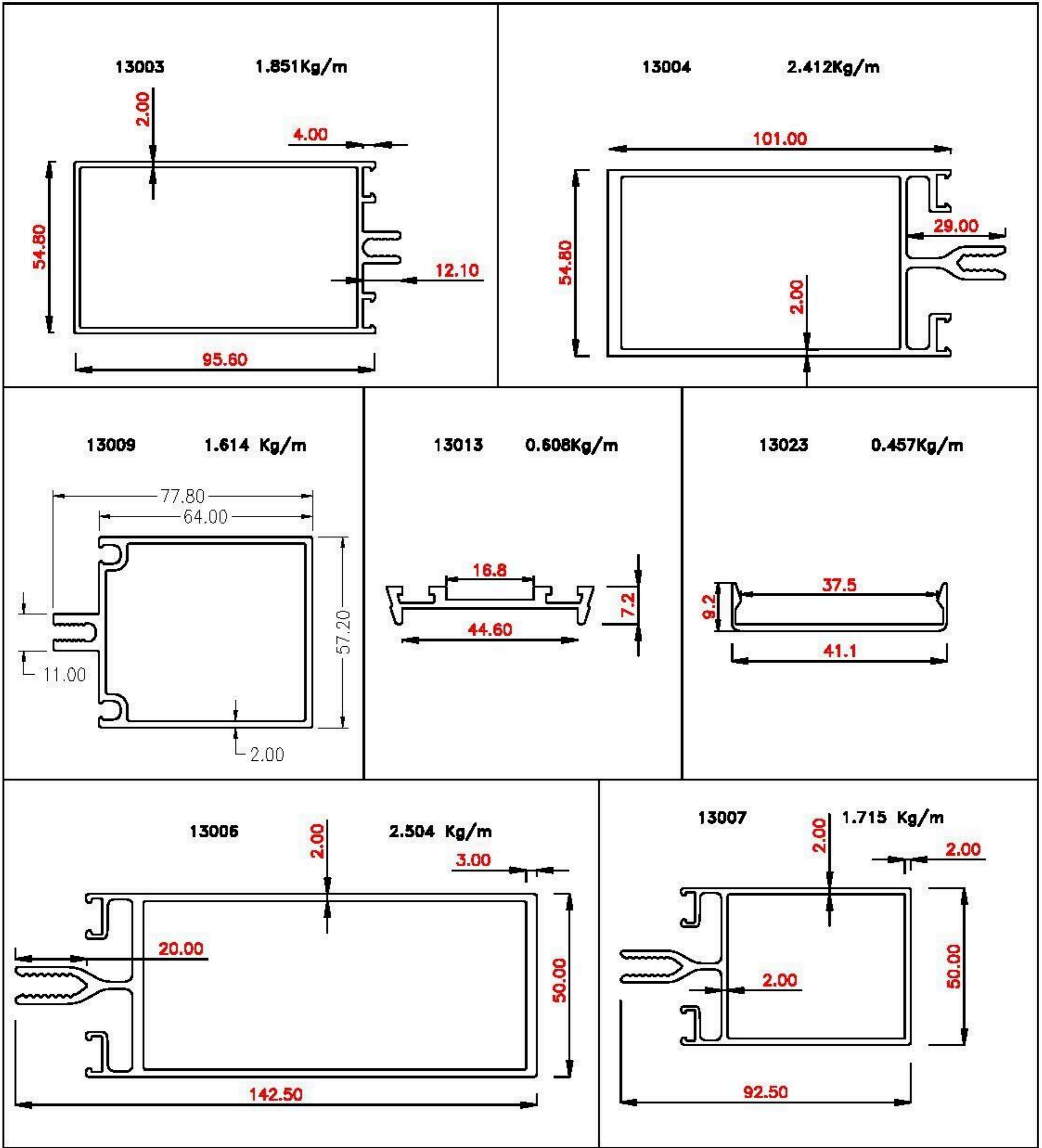


EXTRUSION

VALCO

CURTAIN WALLING



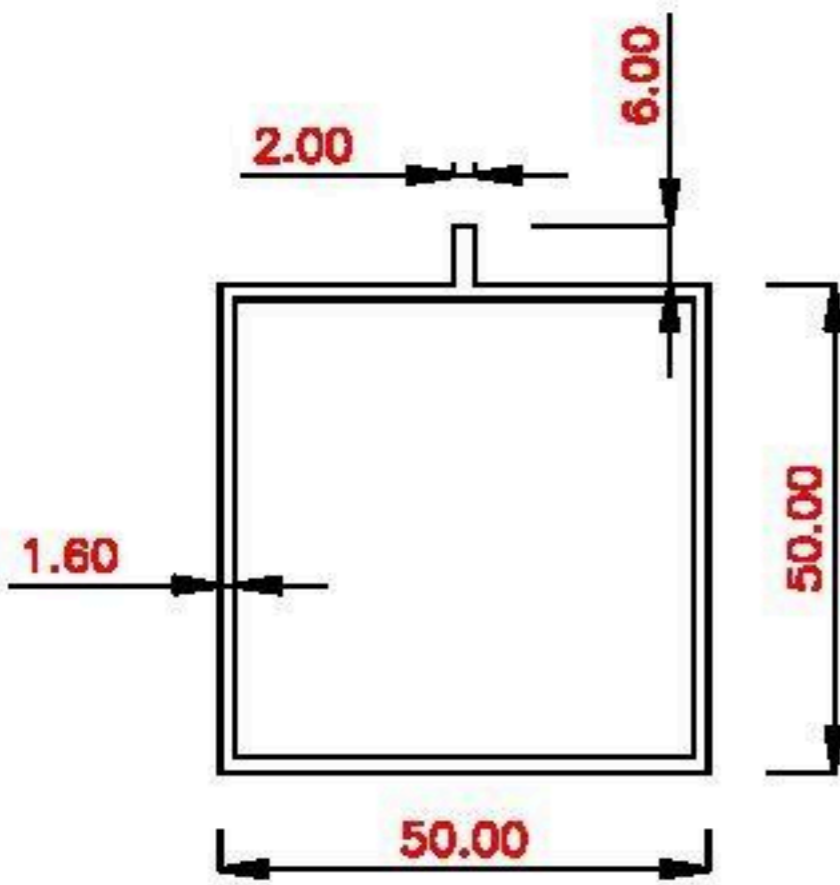
EXTRUSION

VALCO

CURTAIN WALLING

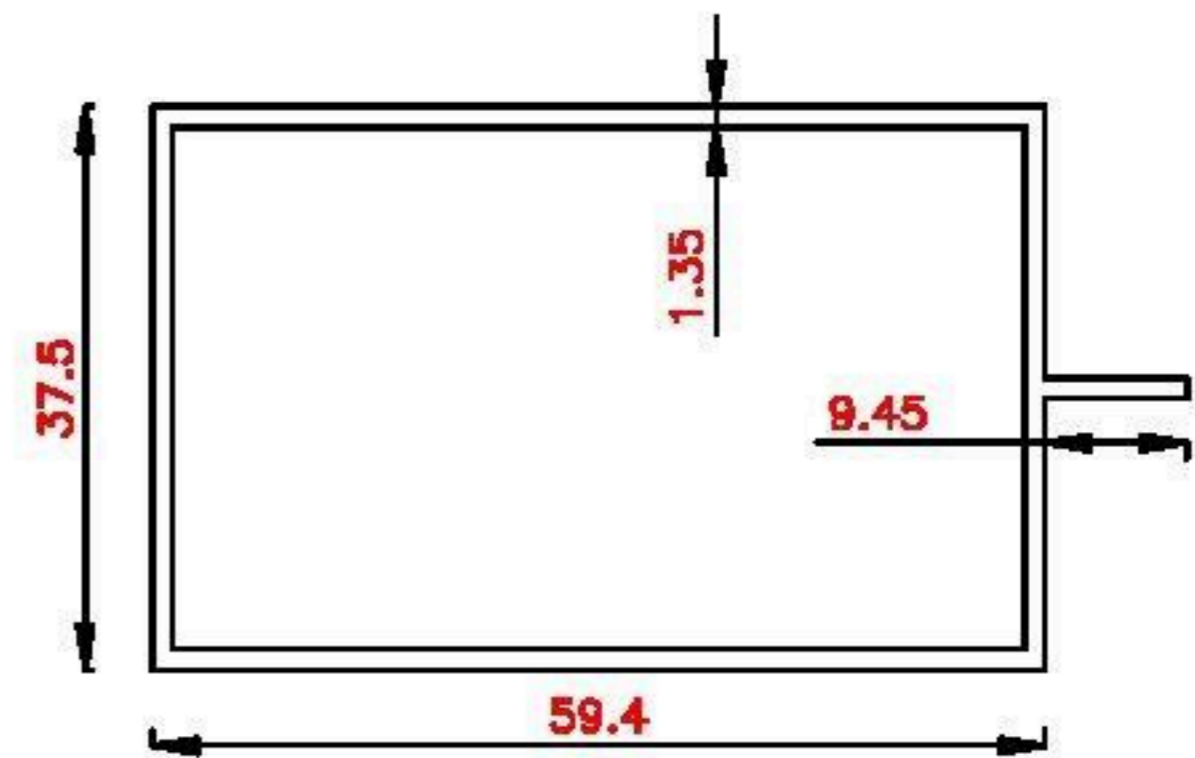
12277

0.834 Kg/m



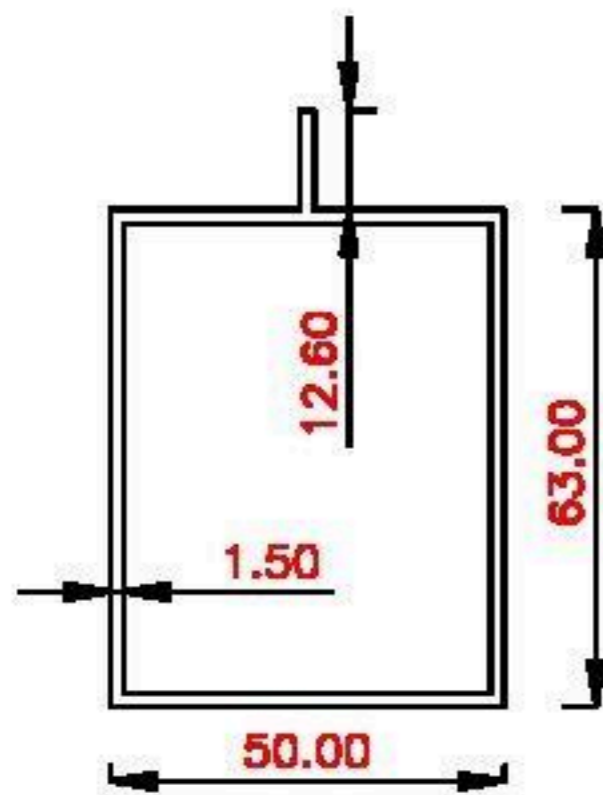
12279

1.351Kg/m



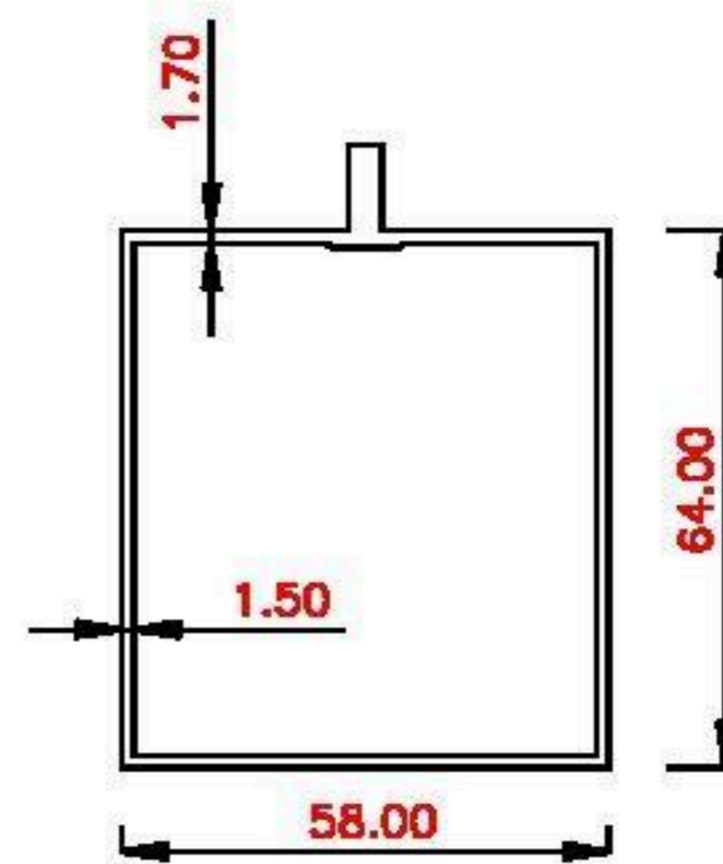
12281

0.929Kg/m



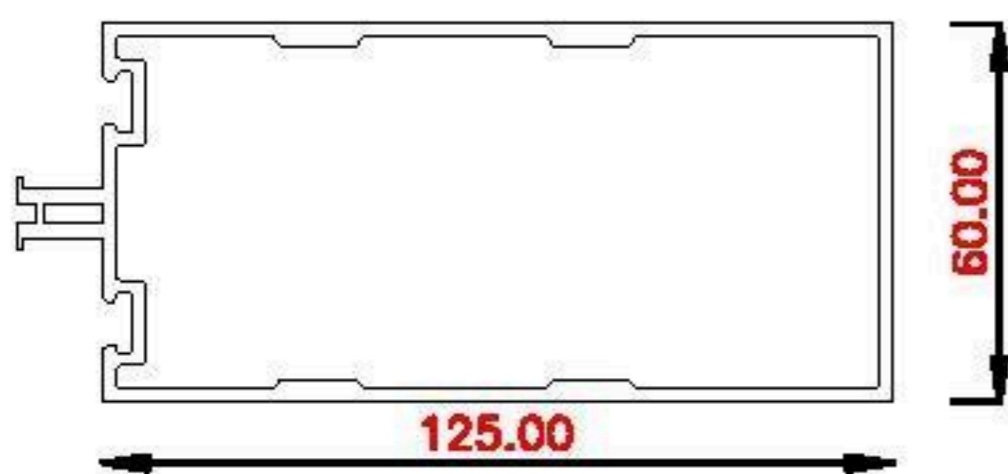
12282

1.215Kg/m



20172

2.600Kg/m



20171

1.740Kg/m

