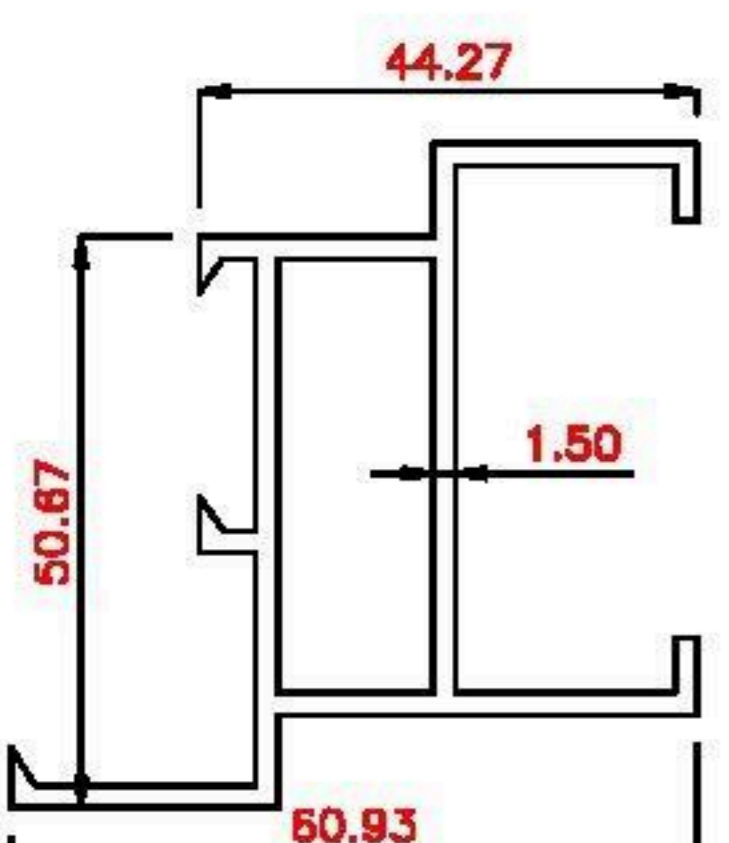
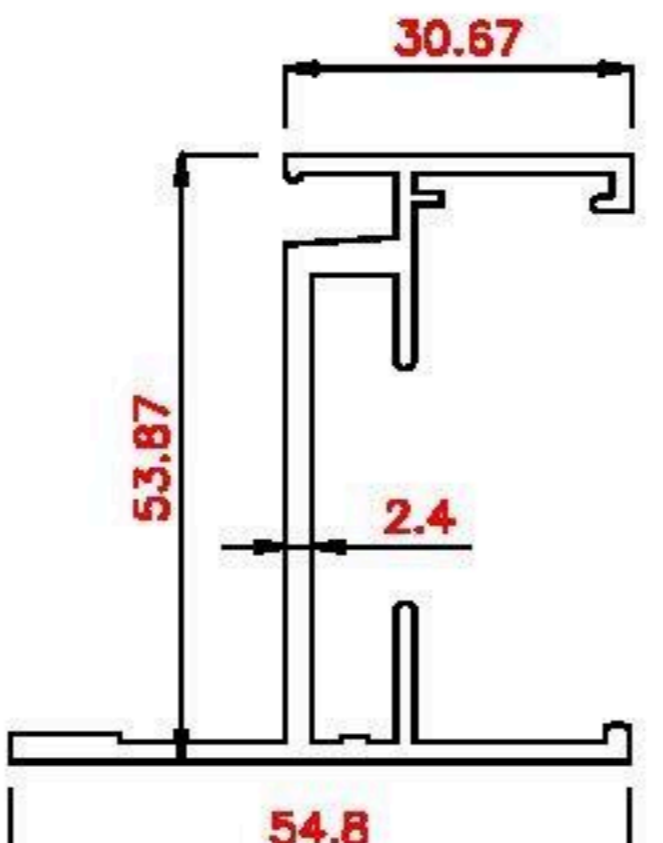
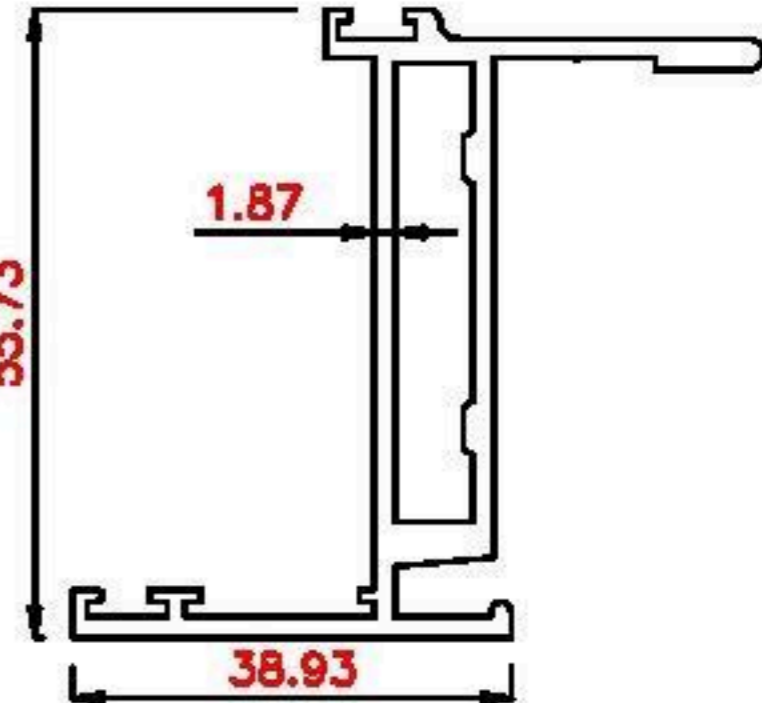
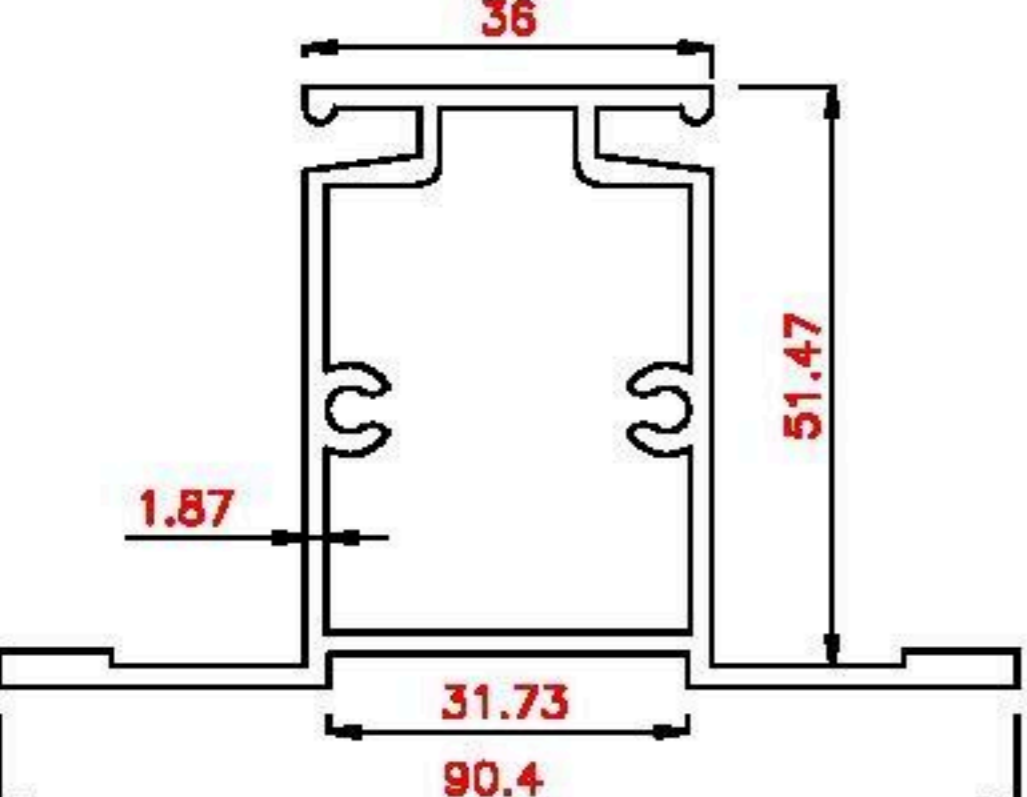

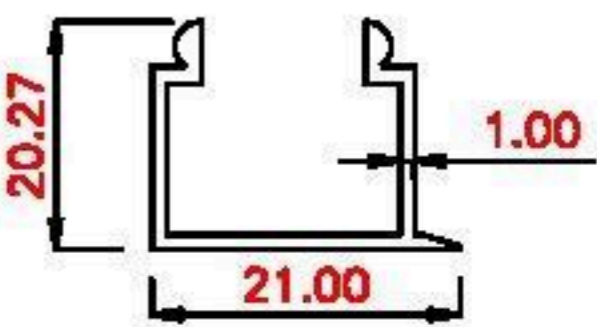
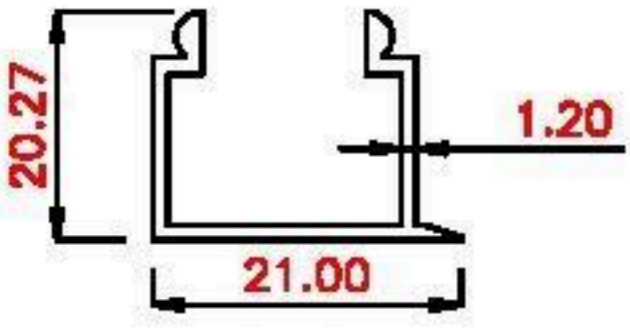
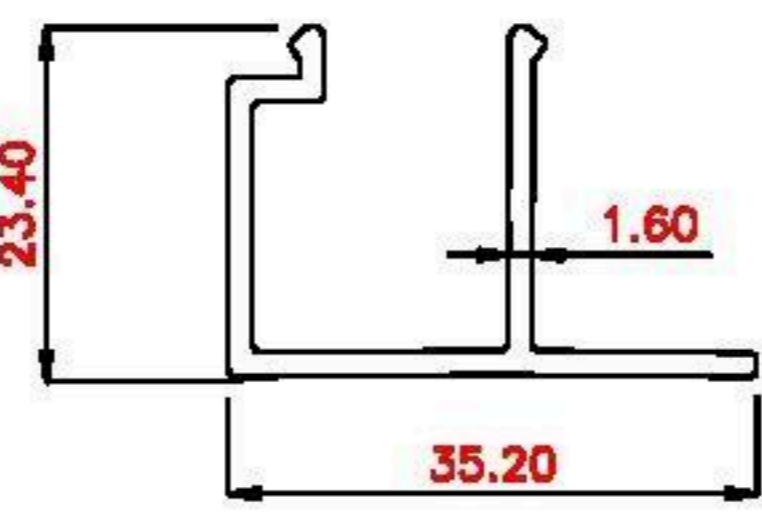
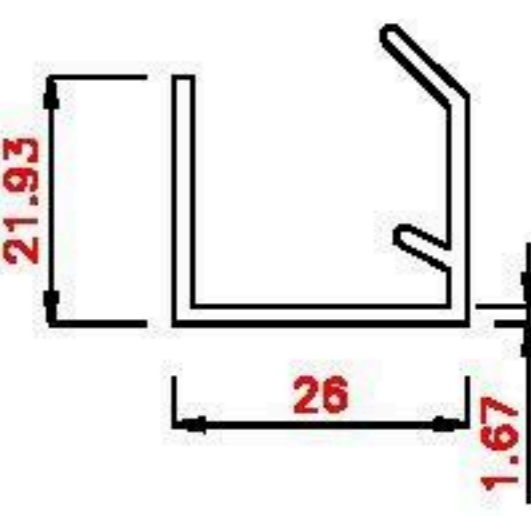


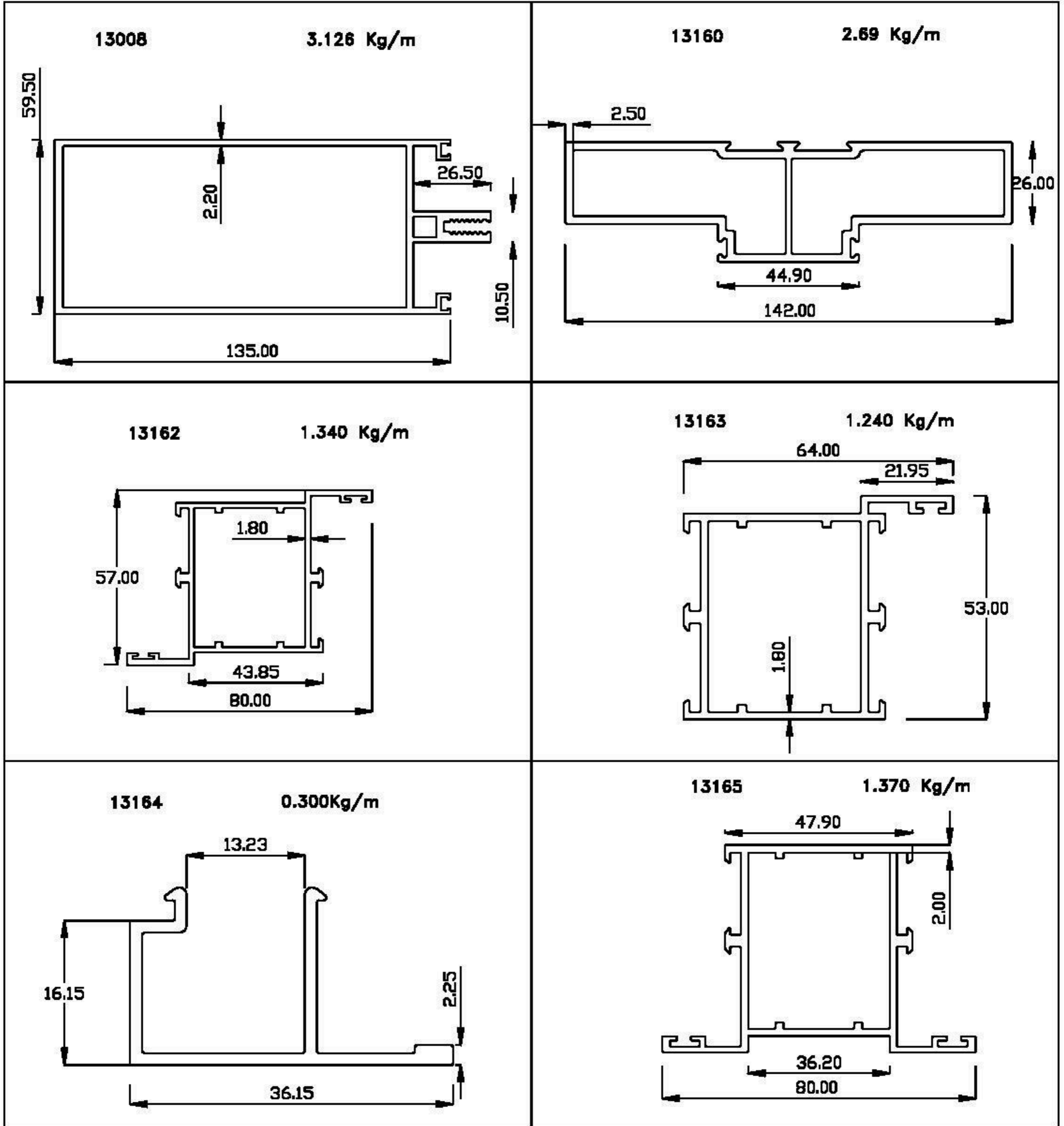
EXTRUSION

VALCO

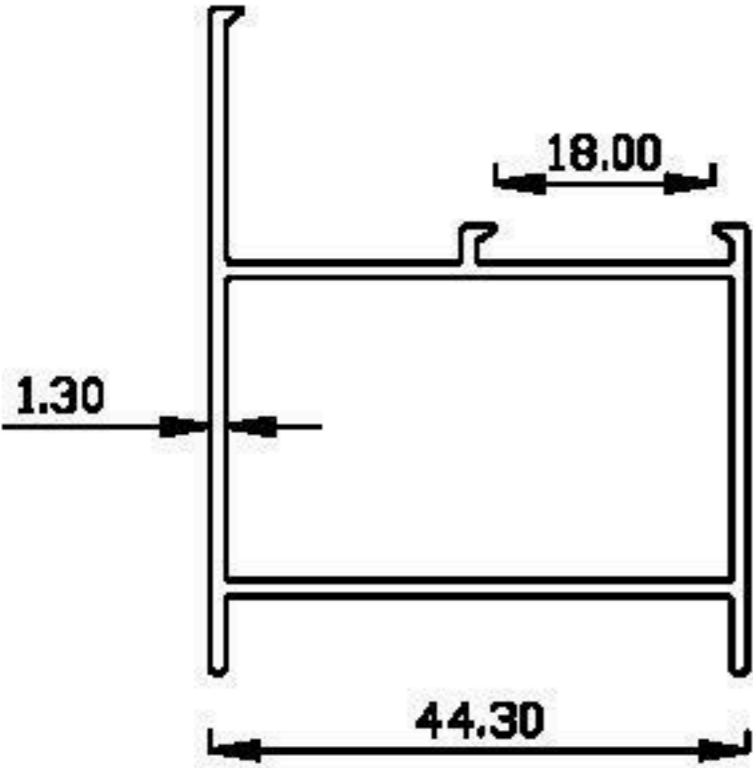
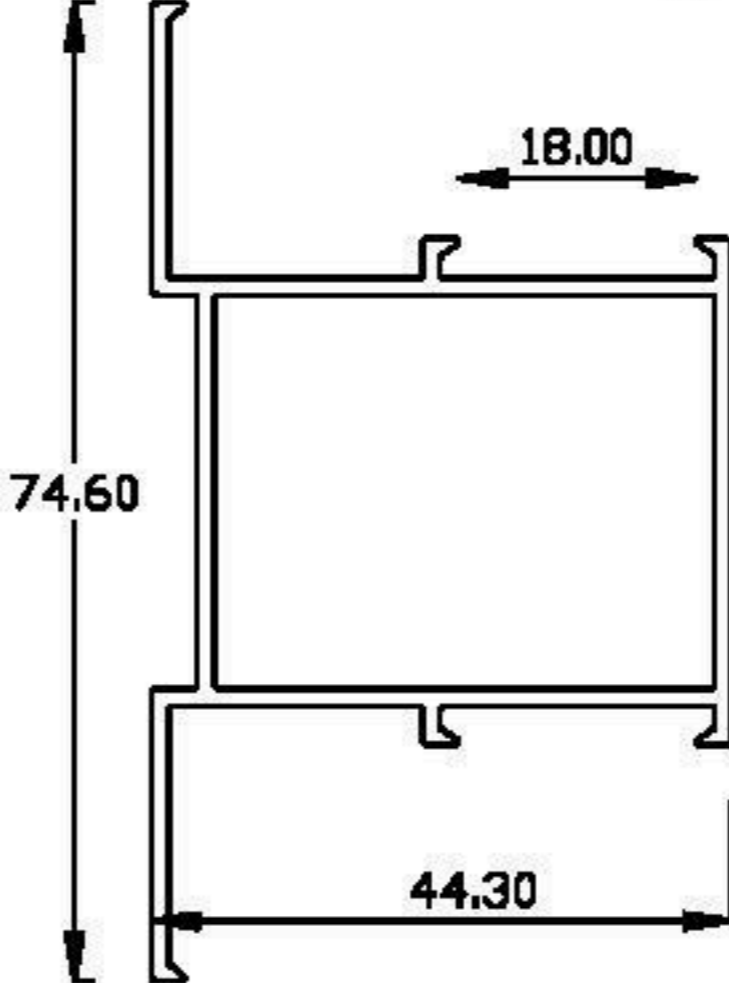
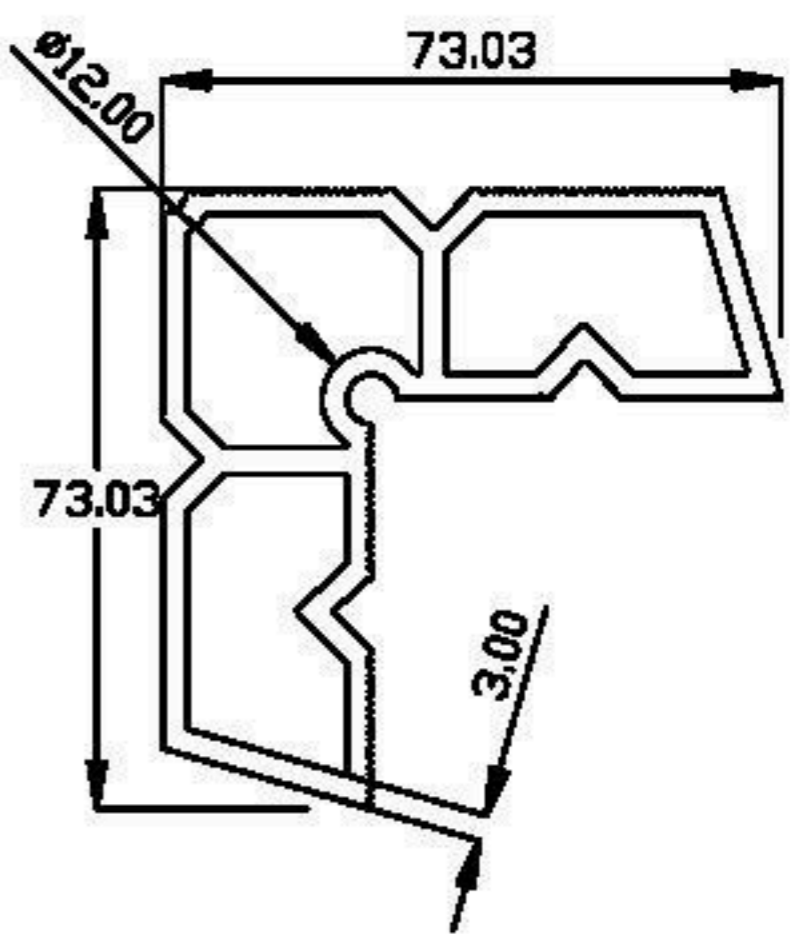
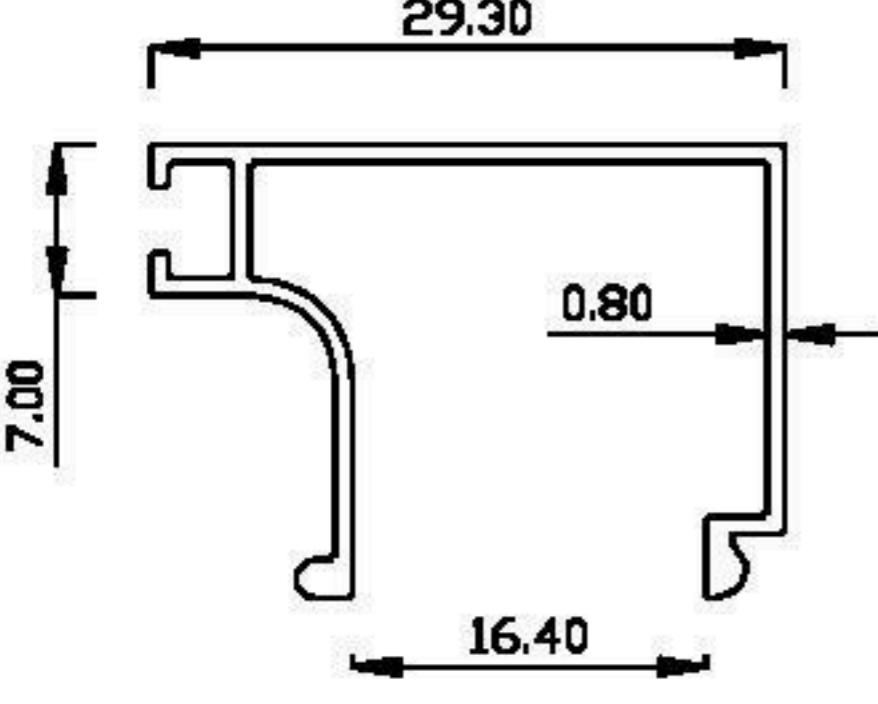
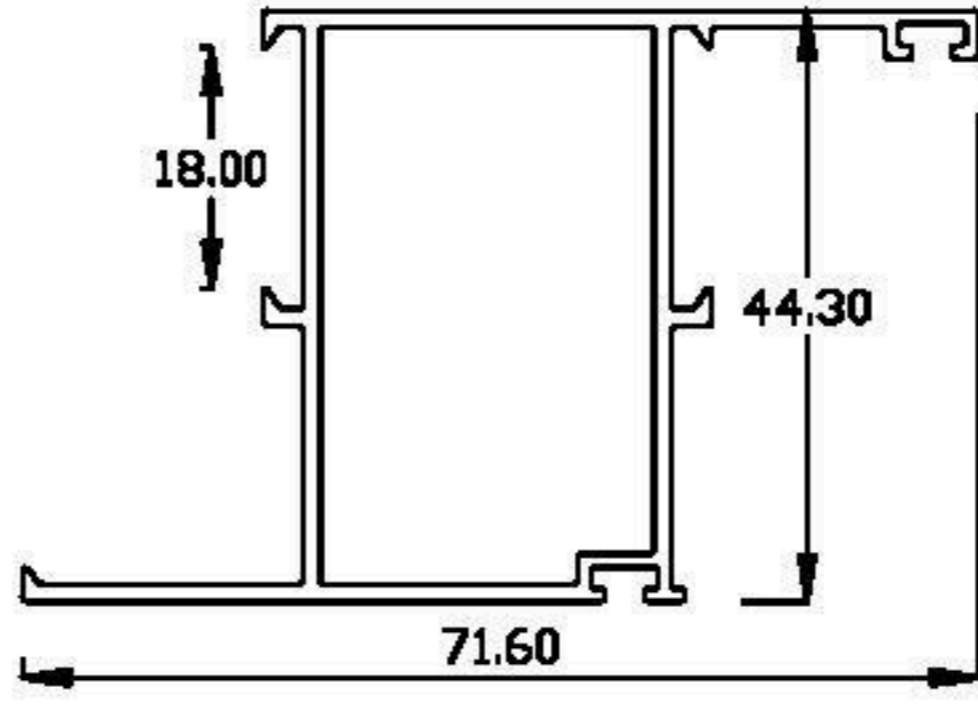
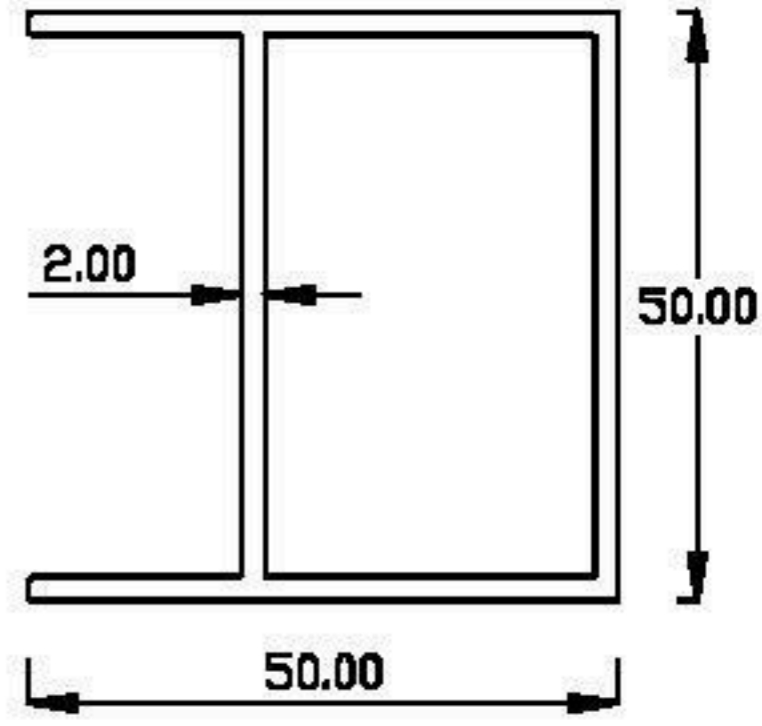
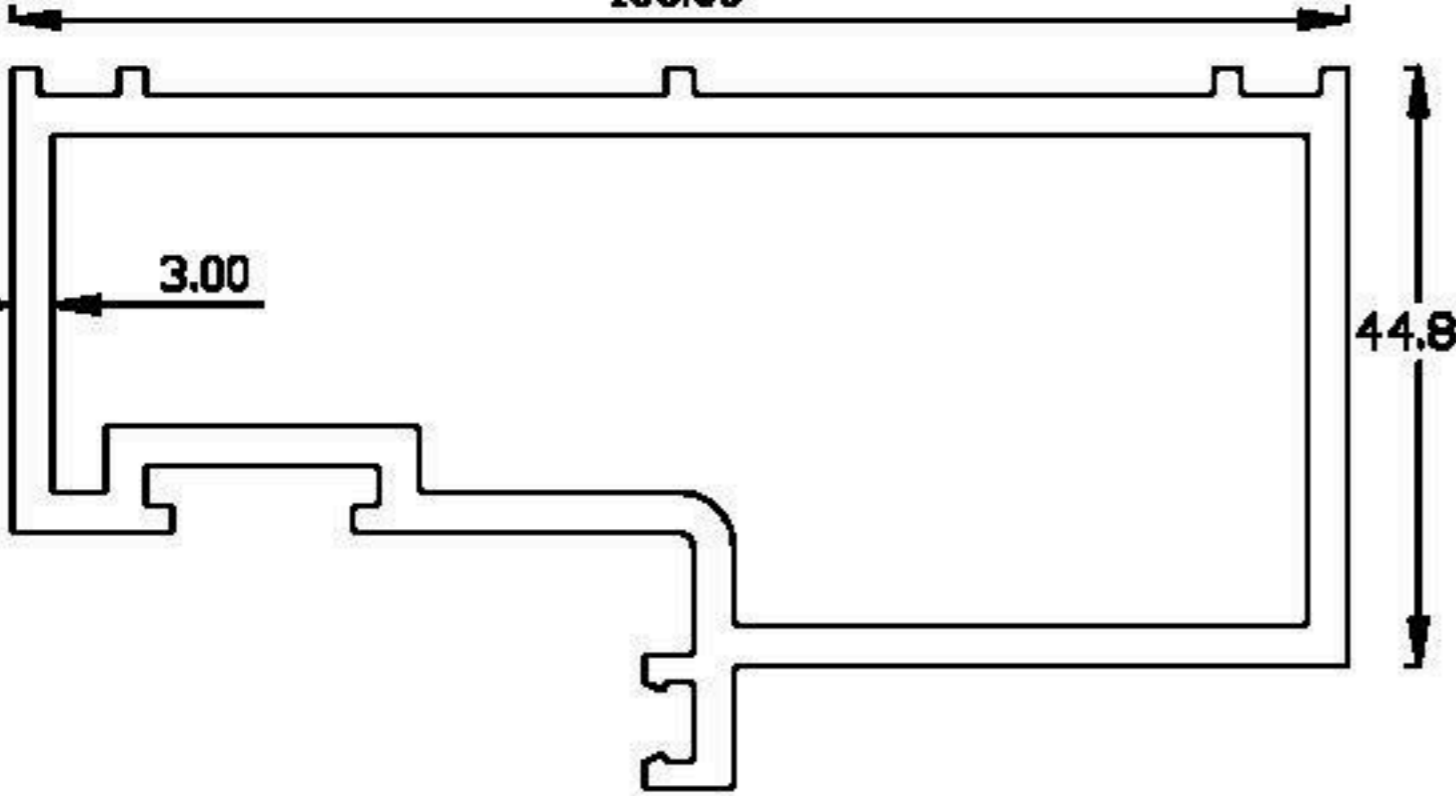
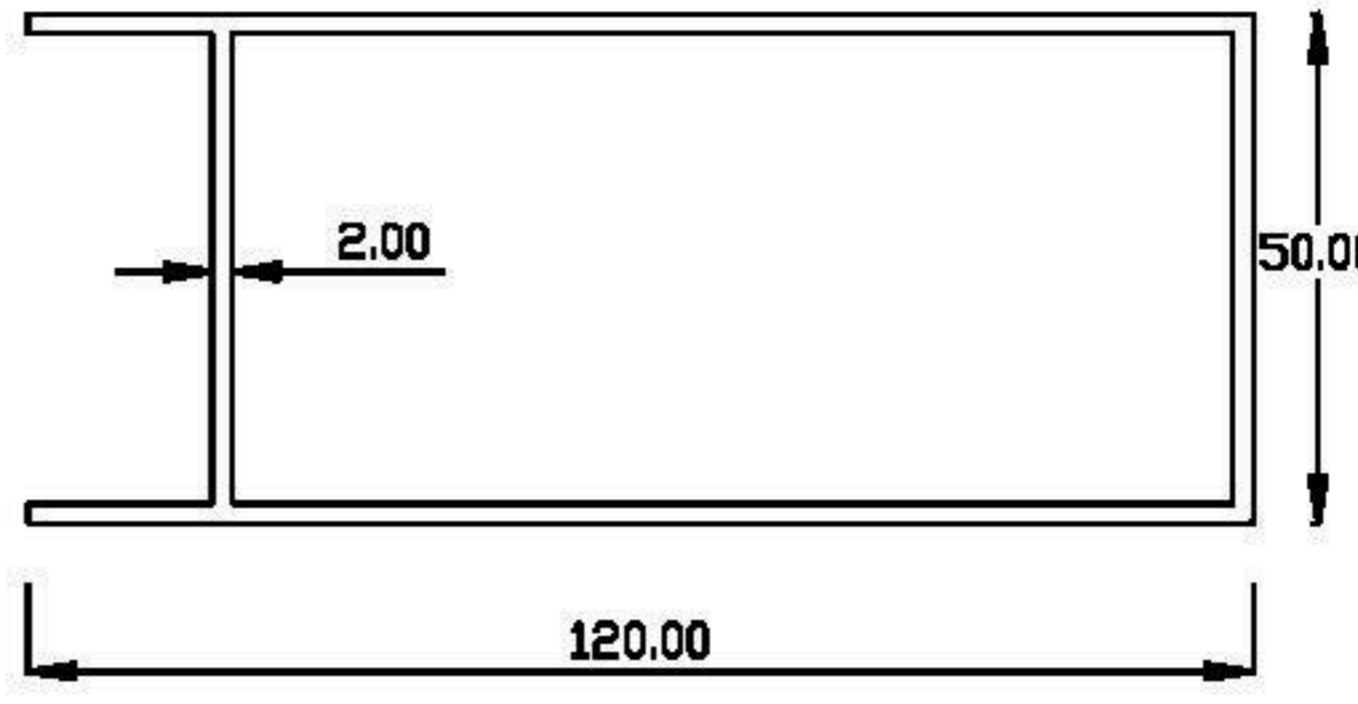
CASEMENT WINDOWS

<p>13126 0.655Kg/m</p> 	<p>13127 0.520Kg/m</p> 	<p>13128 0.615Kg/m</p> 
<p>13125 0.875Kg/m</p> 	<p>13129 0.138Kg/m</p> 	<p>11151 0.152Kg/m</p> 
<p>11152 0.205 Kg/m</p> 	<p>11153 0.351Kg/m</p> 	<p>11155 0.177Kg/m</p> 

CASEMENT WINDOWS



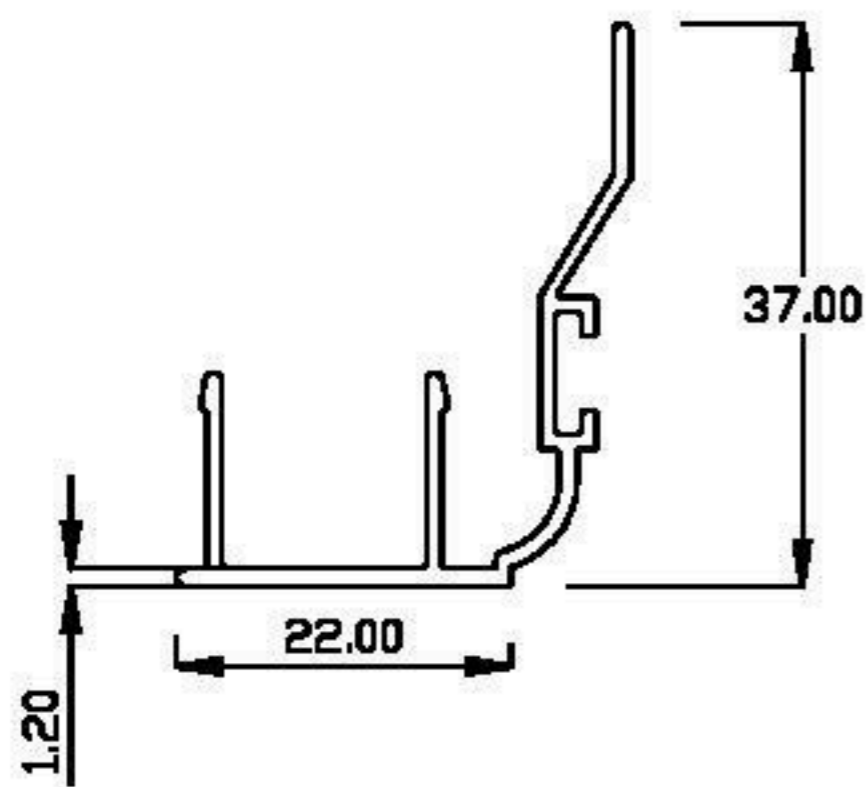
CASEMENT WINDOWS

<p>13166 0.698 Kg/m</p> 	<p>13167 0.811 Kg/m</p> 	<p>13168 2.710 Kg/m</p> 
<p>13169 0.225 Kg/m</p> 	<p>13170 0.795 Kg/m</p> 	<p>13173 1.215 Kg/m</p> 
<p>13171 2.521 Kg/m</p> 		<p>13172 1.811 Kg/m</p> 

CASEMENT WINDOWS

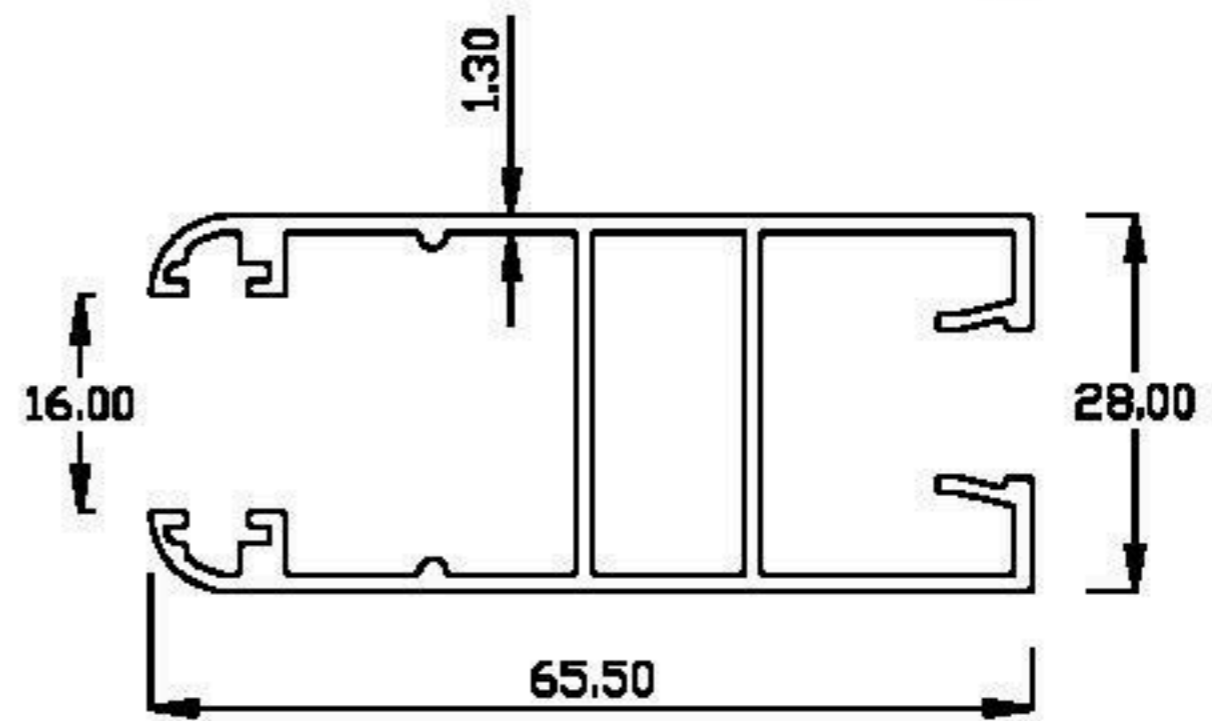
18090

0.315 Kg/mt



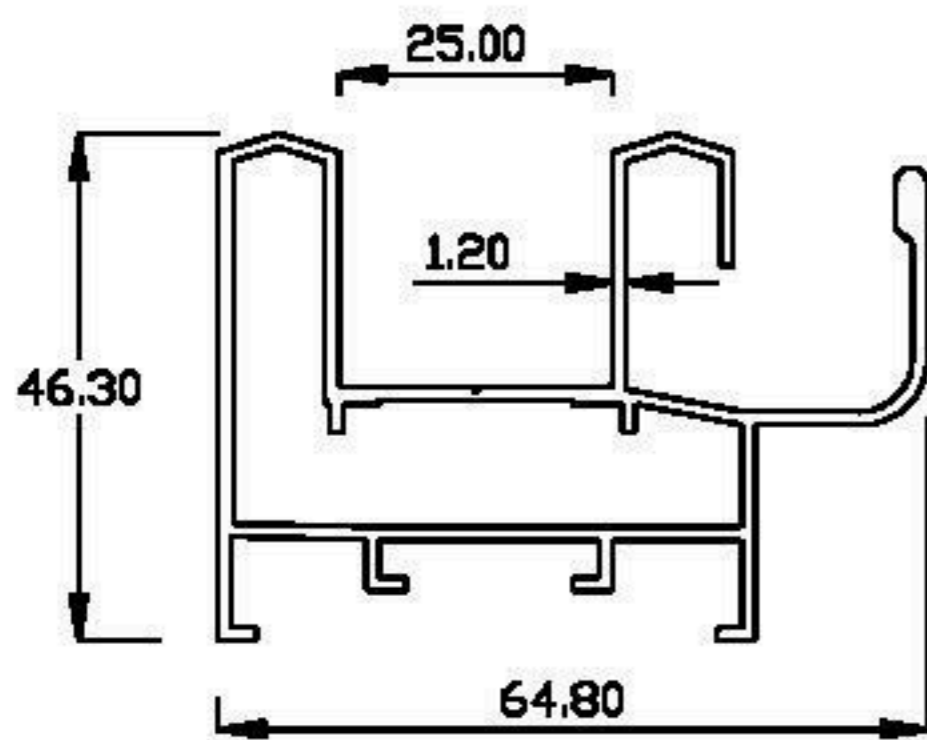
18091

0.860 Kg/mt



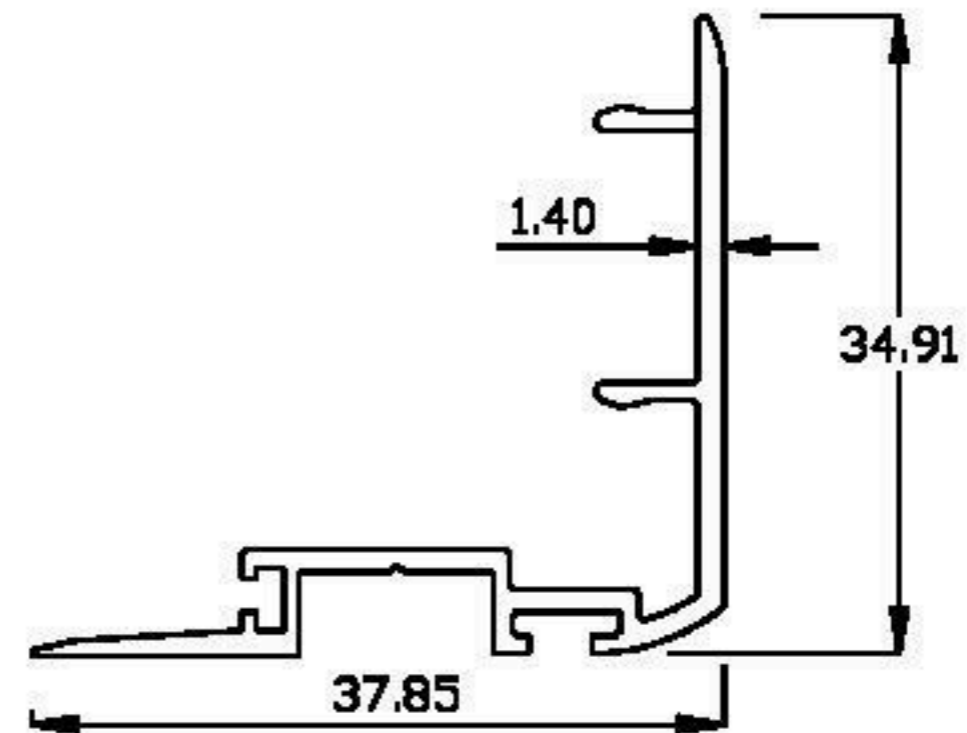
18092

1.030 Kg/mt



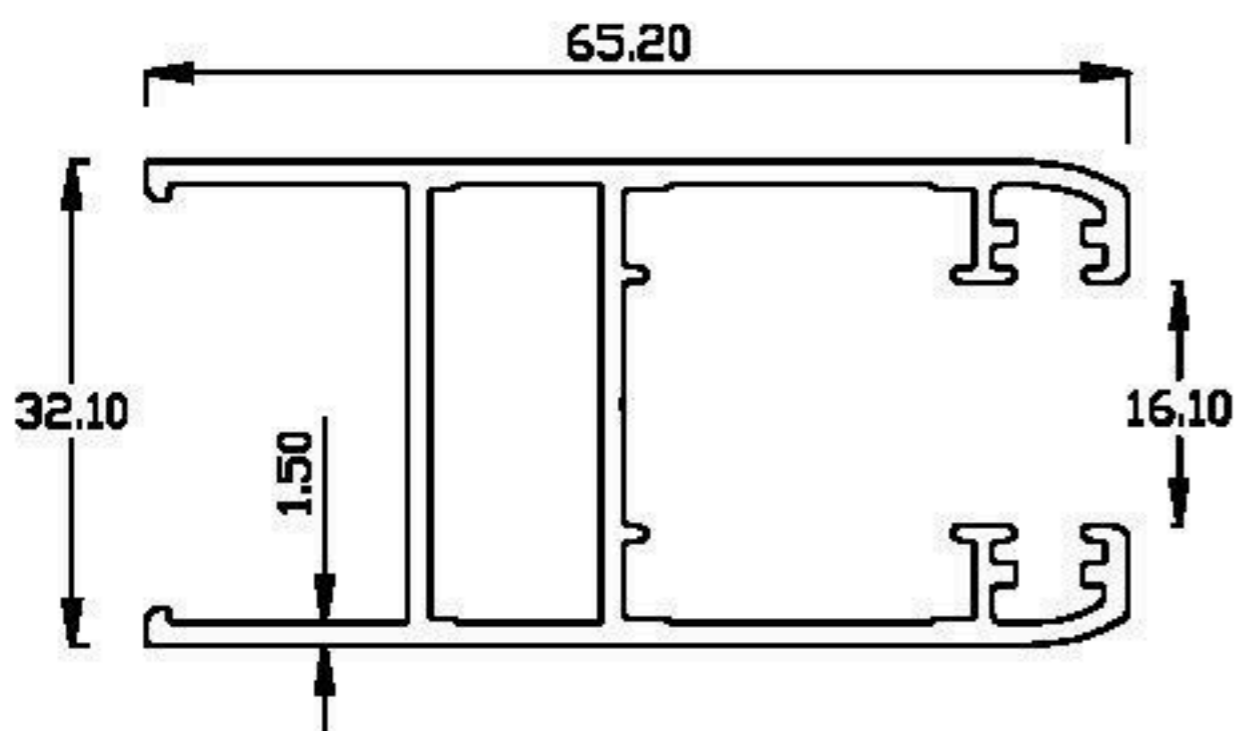
18181

0.316 Kg/m



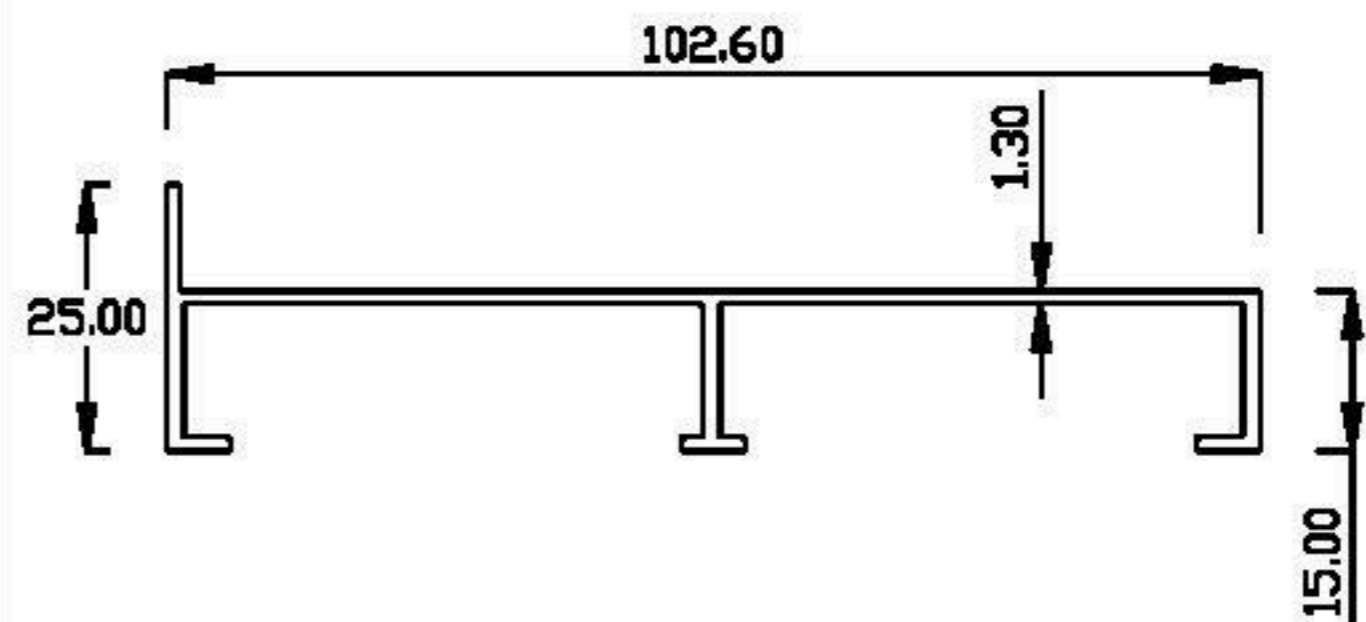
18182

0.923Kg/m



18183

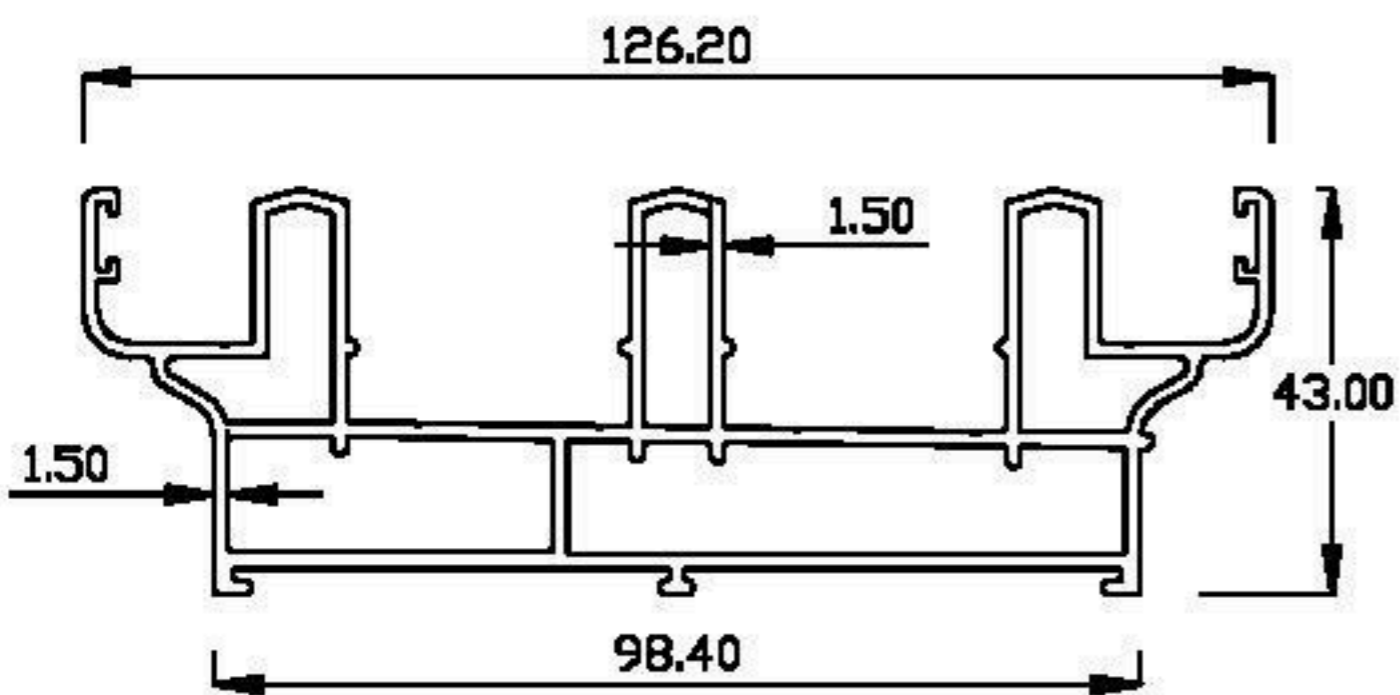
0.608 Kg/mt



CASEMENT WINDOWS

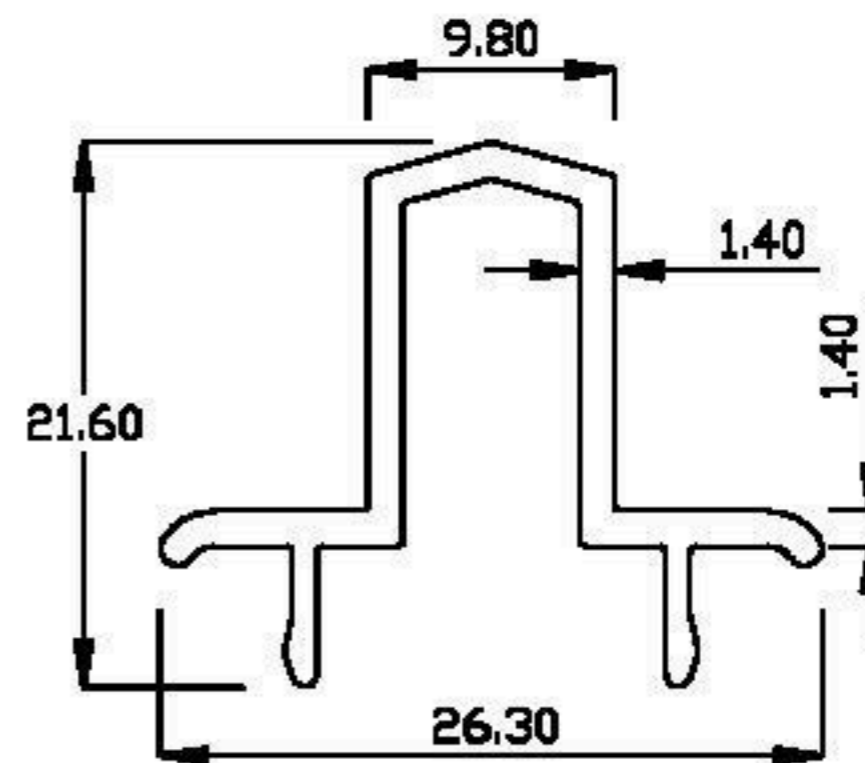
18184

2.124 Kg/mt



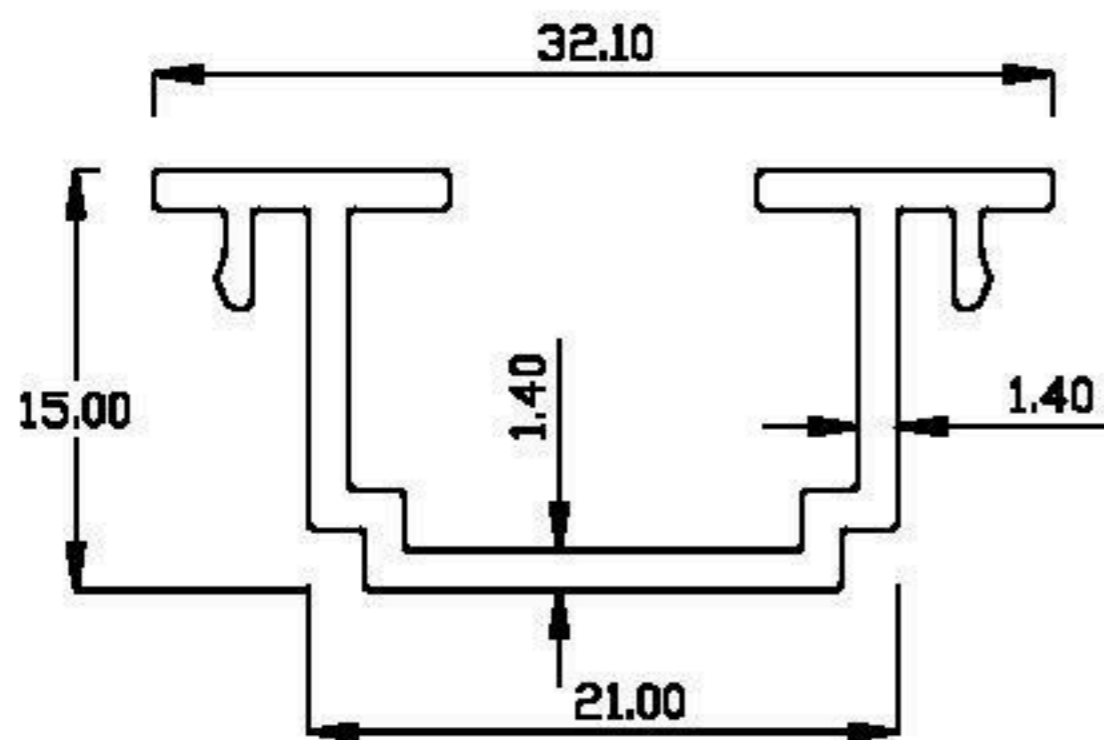
18185

0.235 Kg/mt



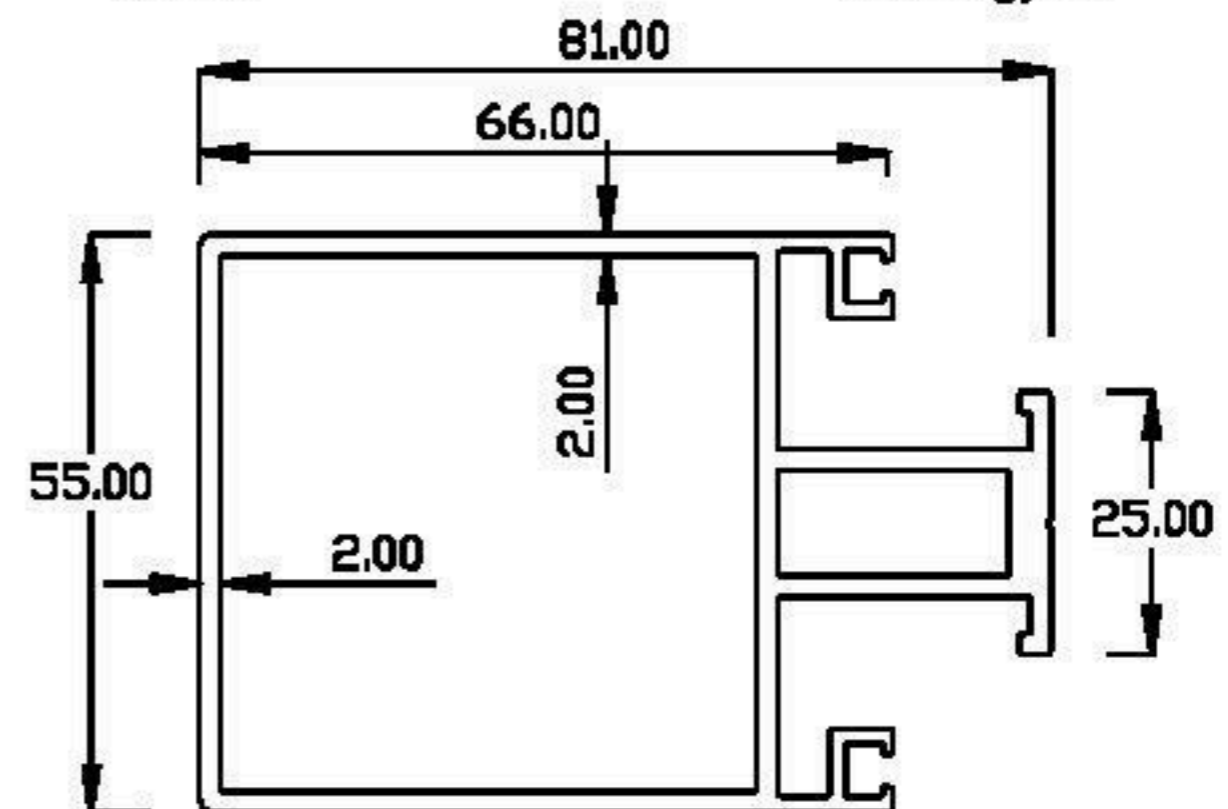
18186

0.272 Kg/mt



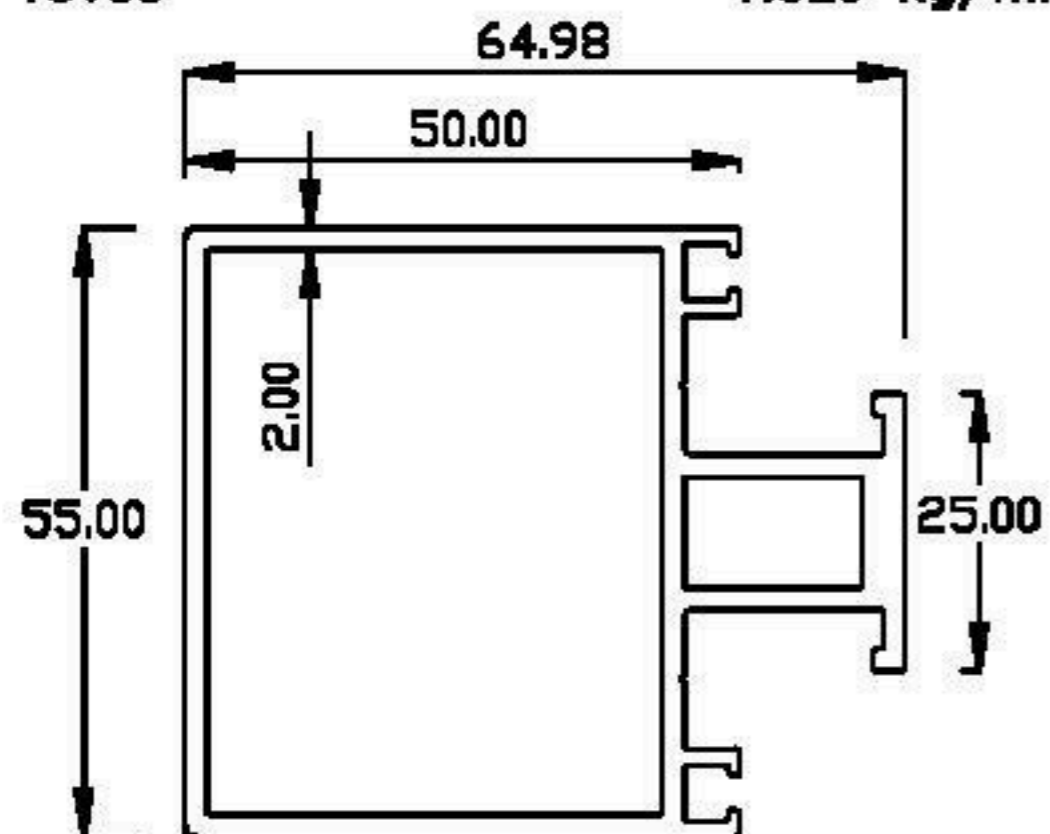
18187

1.791Kg/mt



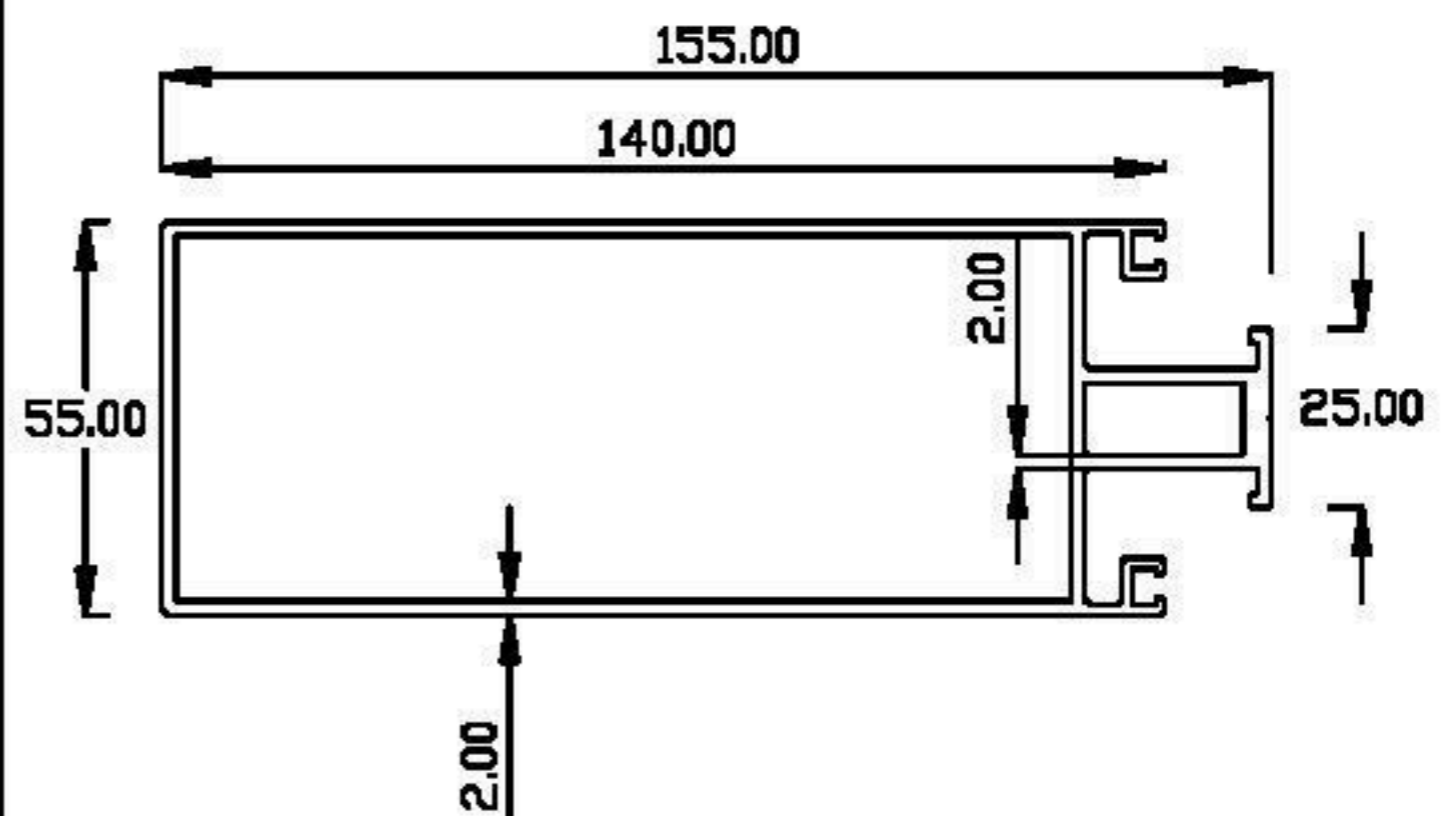
18188

1.520 Kg/mt

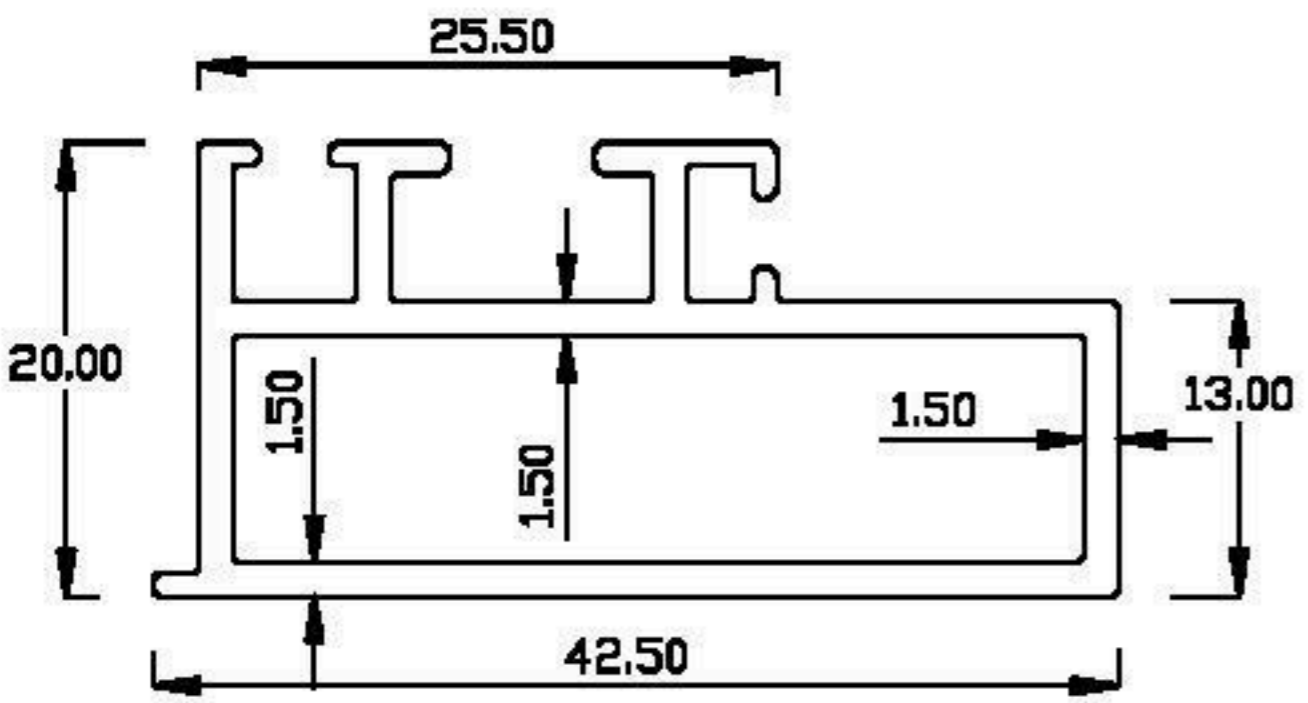
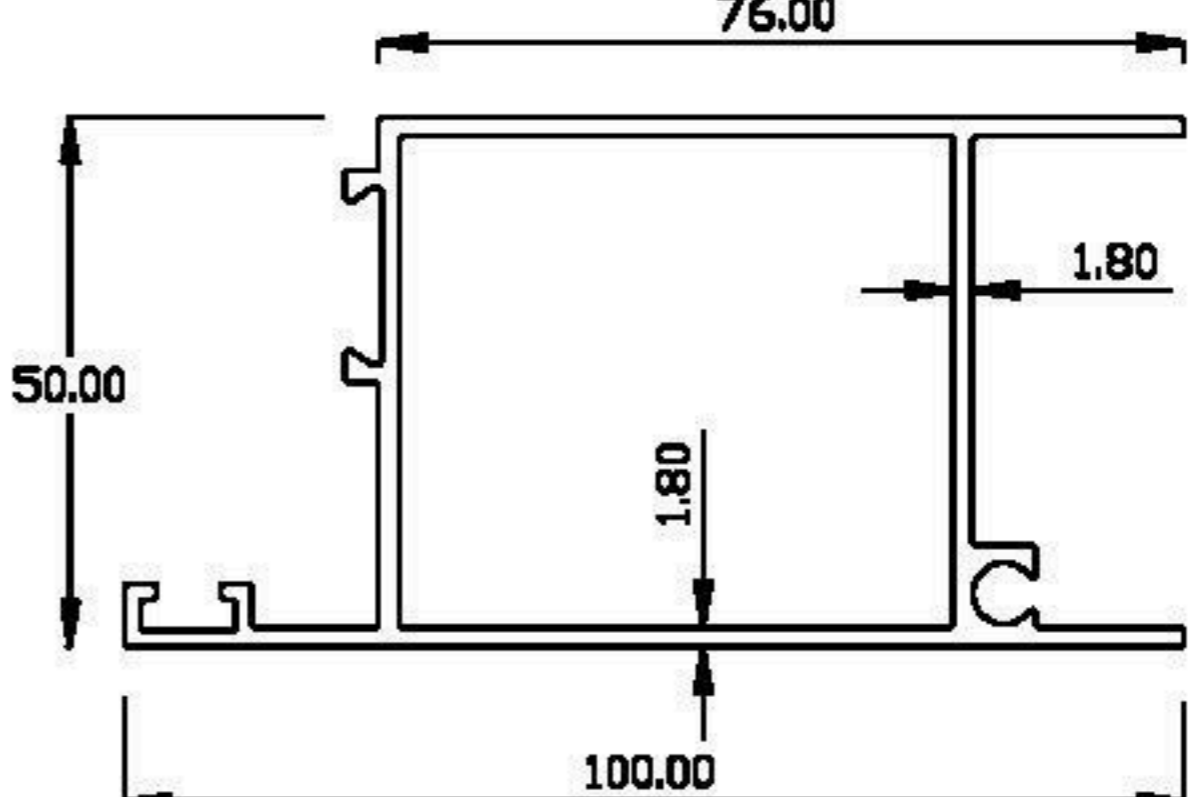
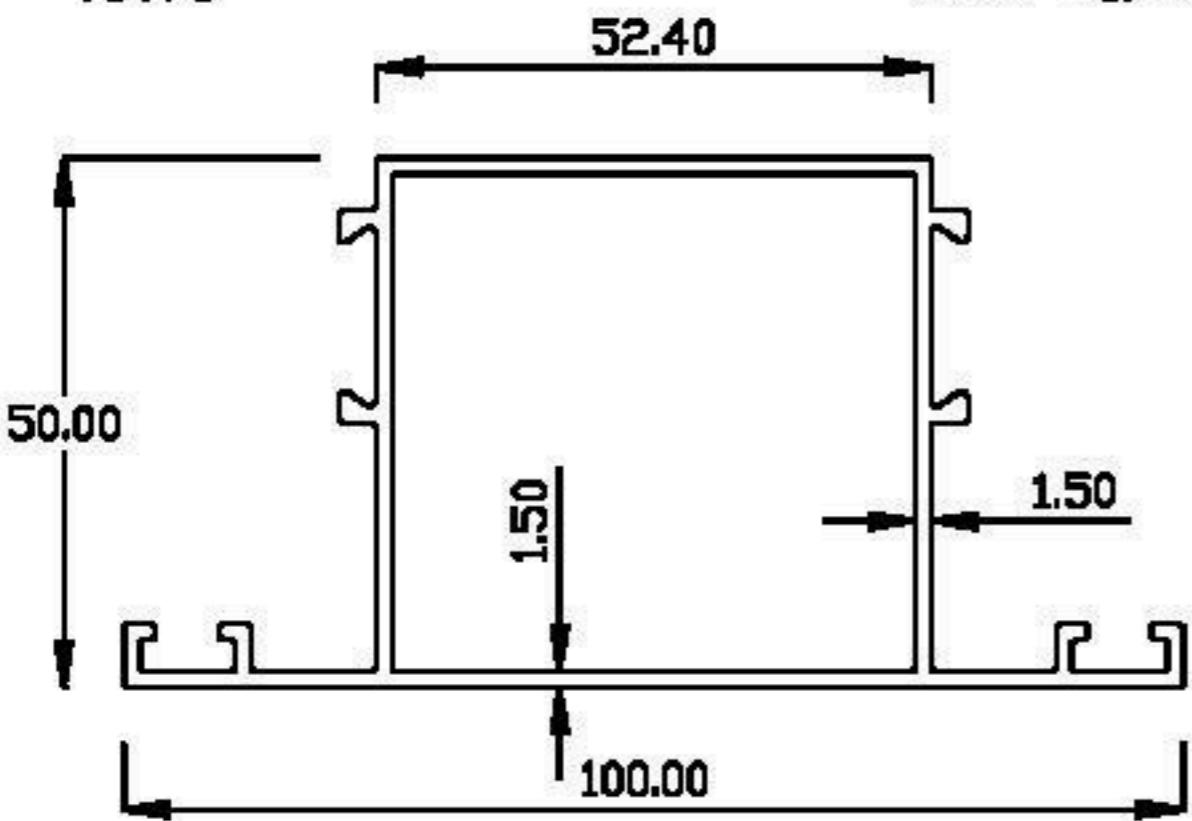
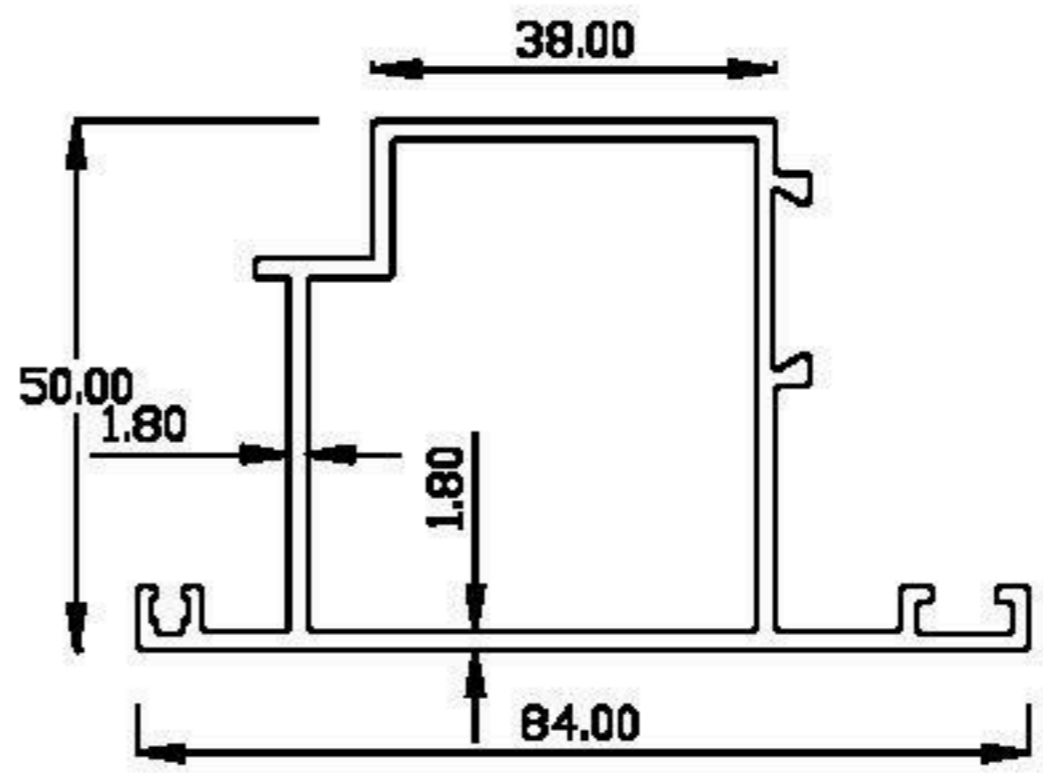
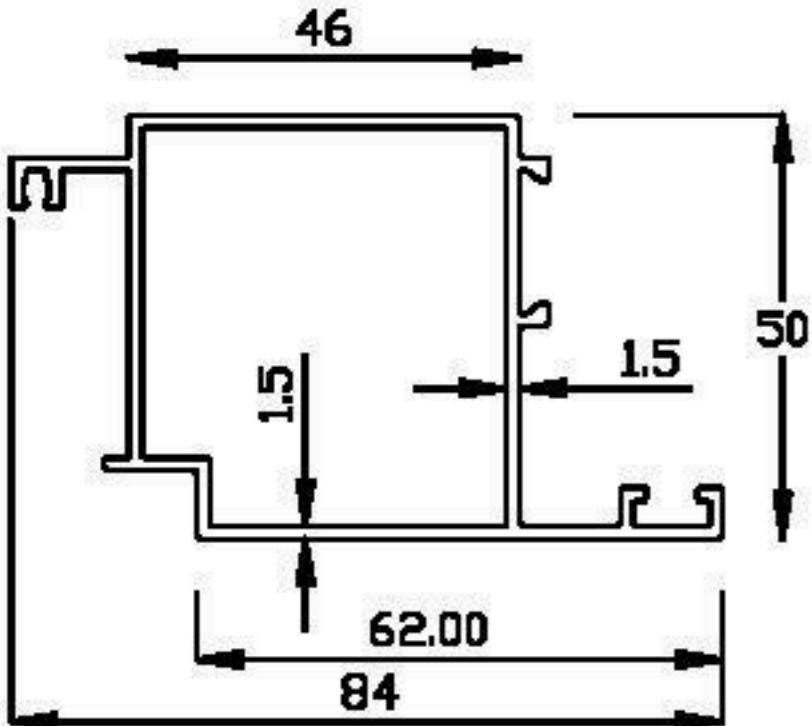
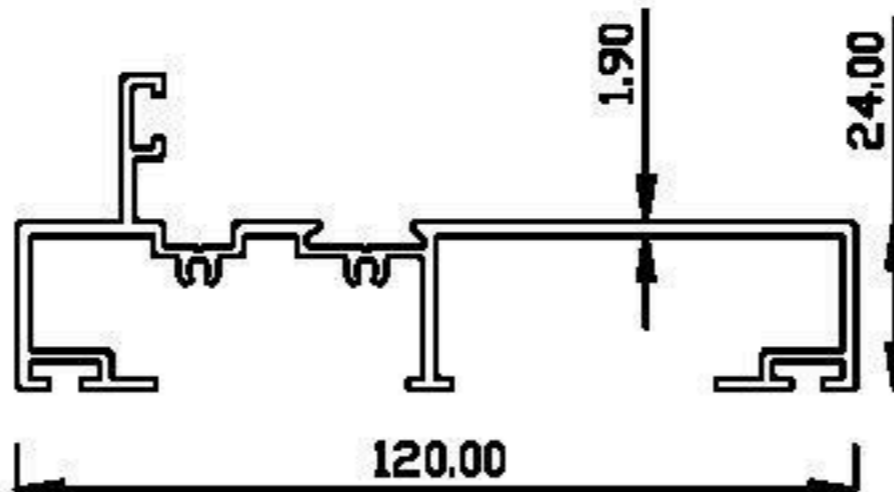
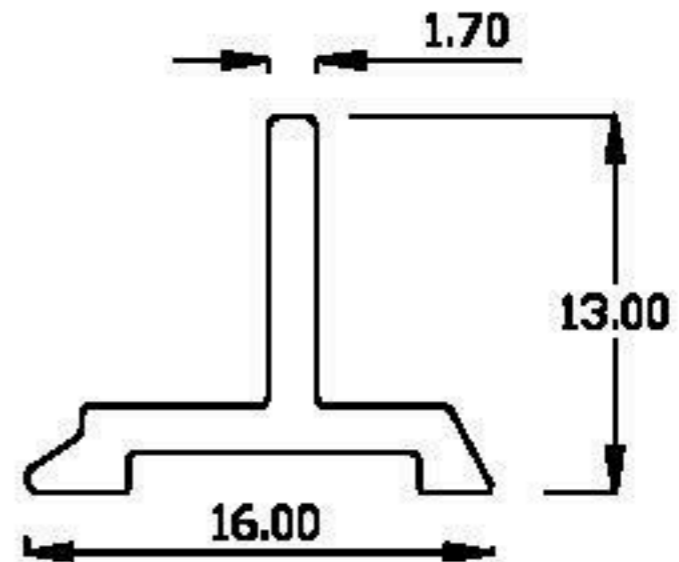


18189

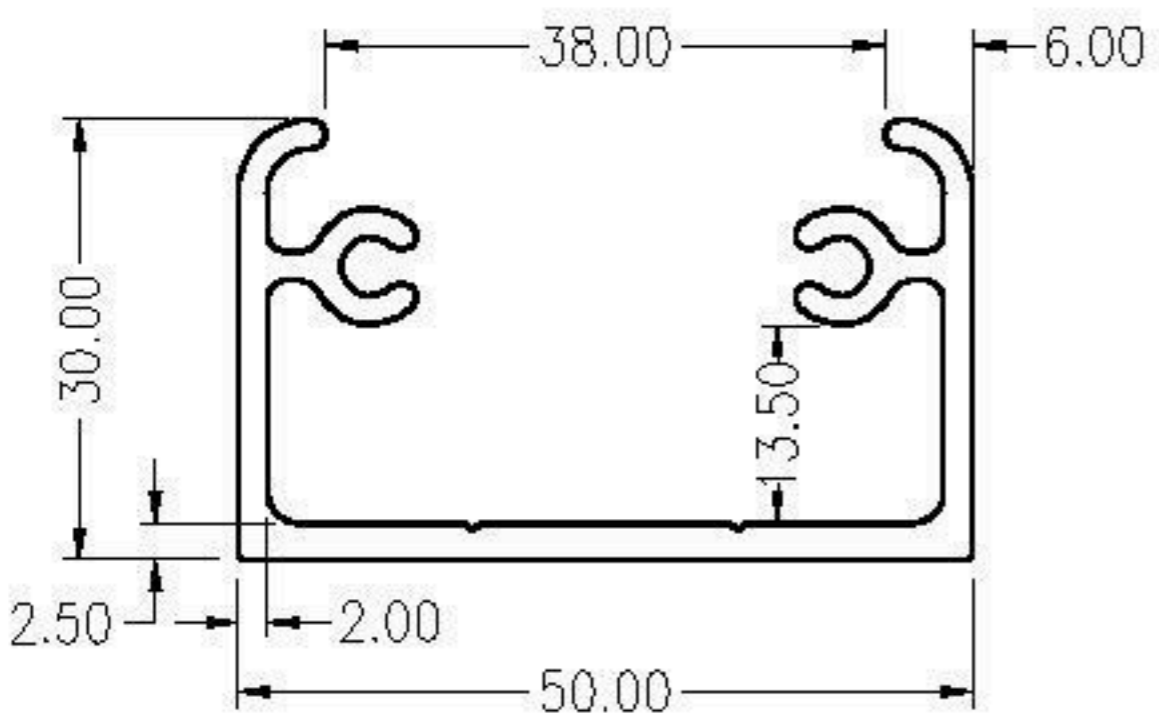
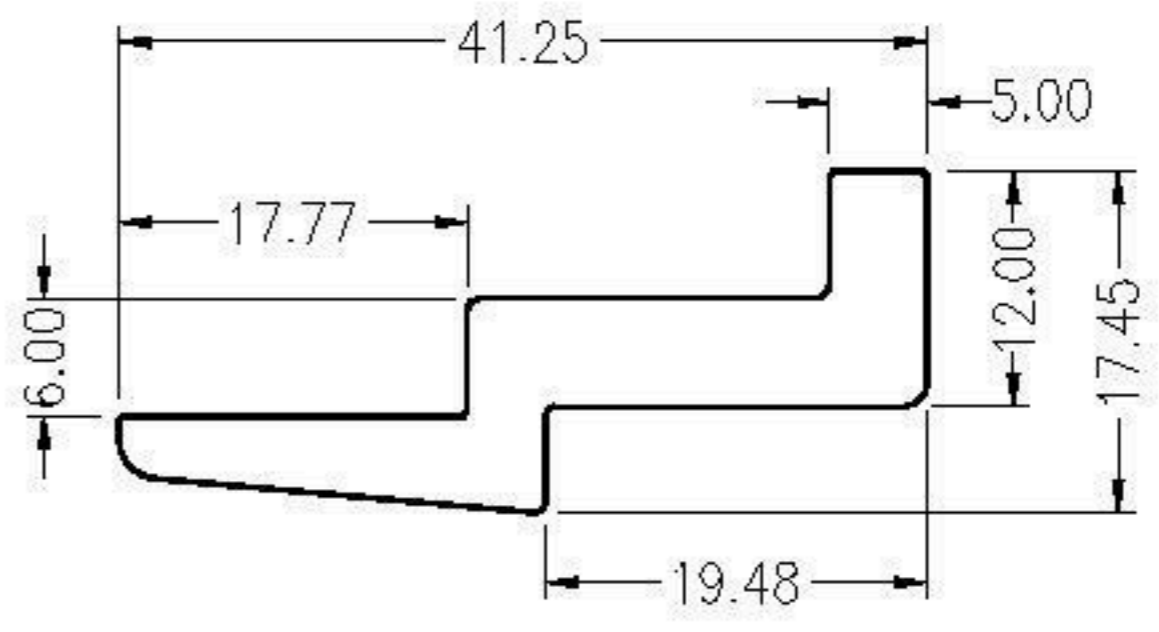
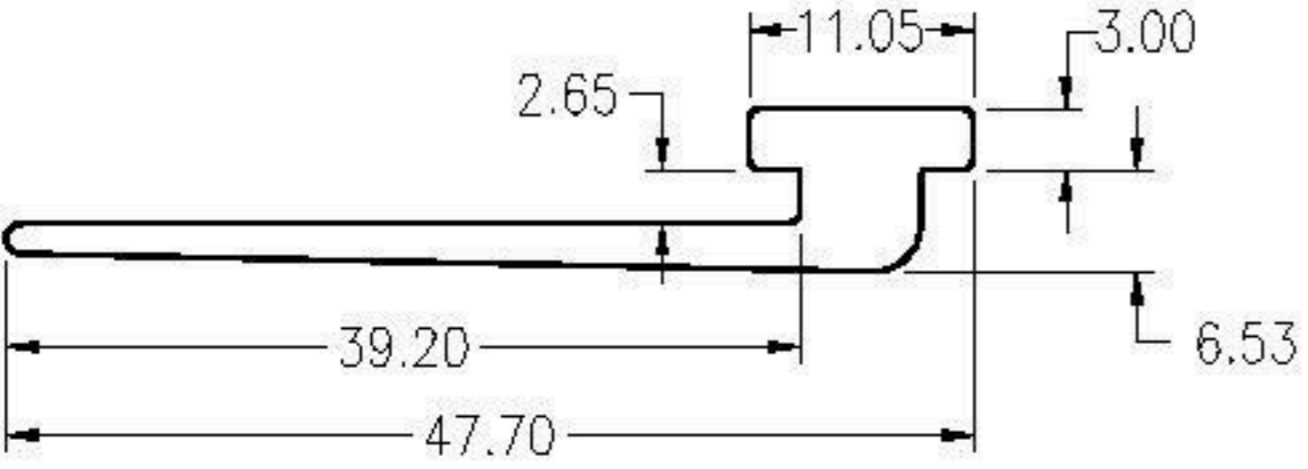
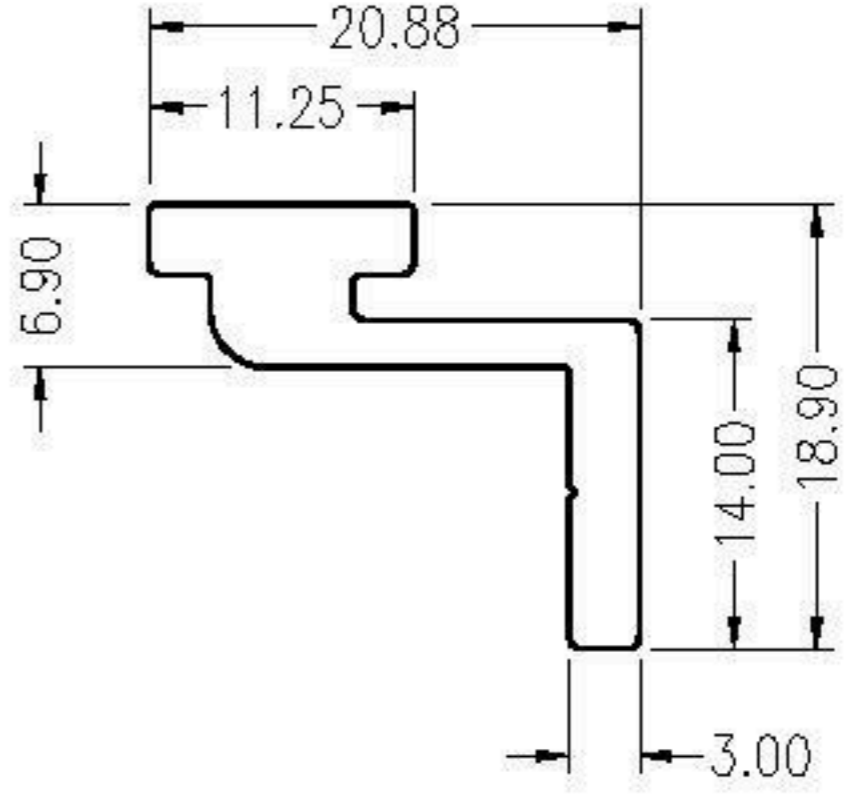
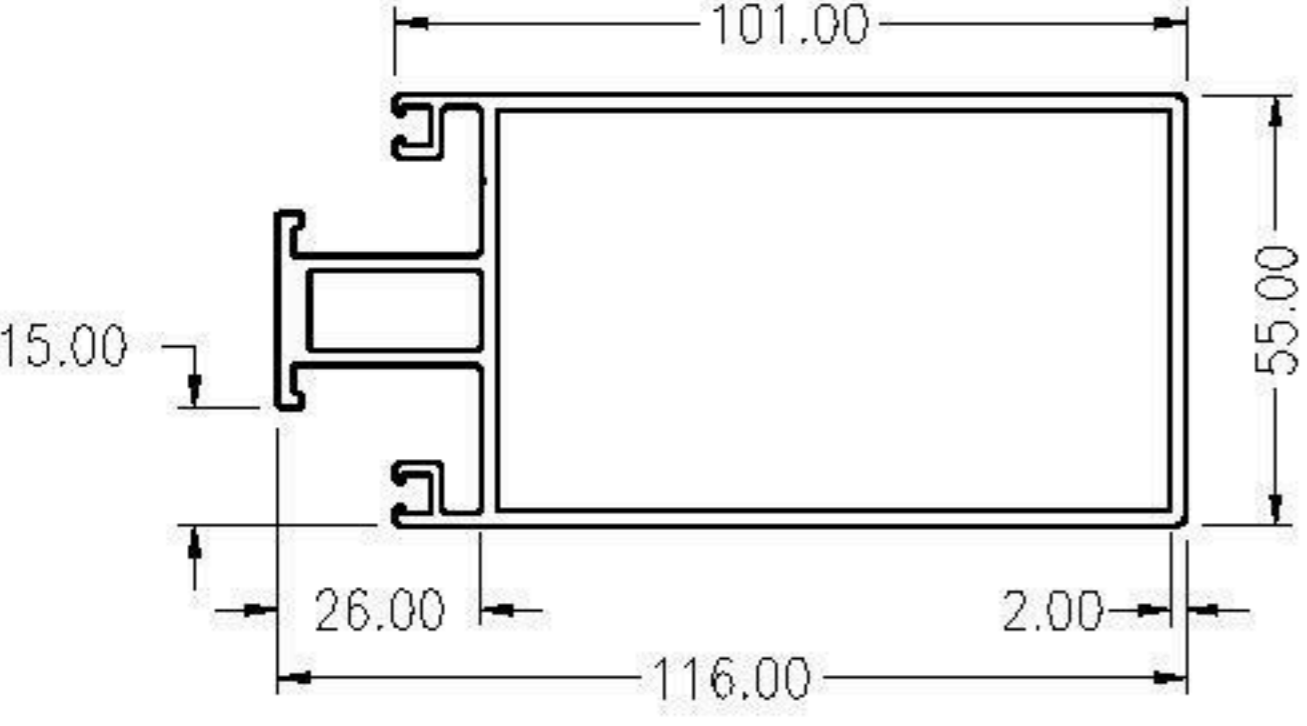
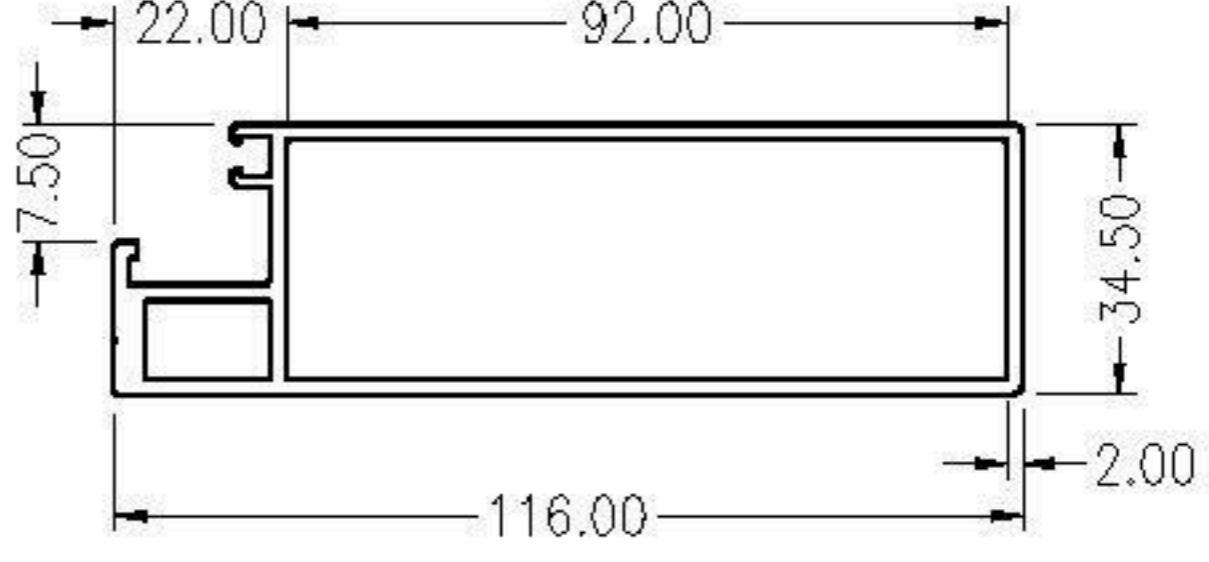
2.590 Kg/m



CASEMENT WINDOWS

<p>18190 0.544 Kg/m</p> 	<p>13175 1.426 Kg/m</p> 	
<p>13176 1.181 Kg/m</p> 	<p>13177 1.192 Kg/m</p> 	
<p>13178 1.052 Kg/m</p> 	<p>18300 1.467 Kg/m</p> 	<p>18301 0.125 Kg/m</p> 

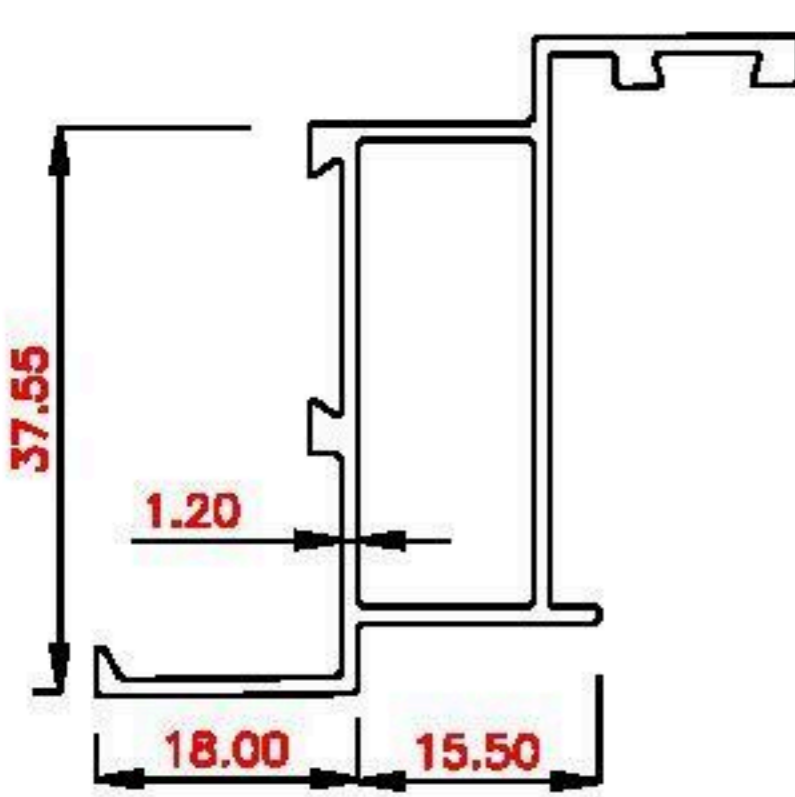
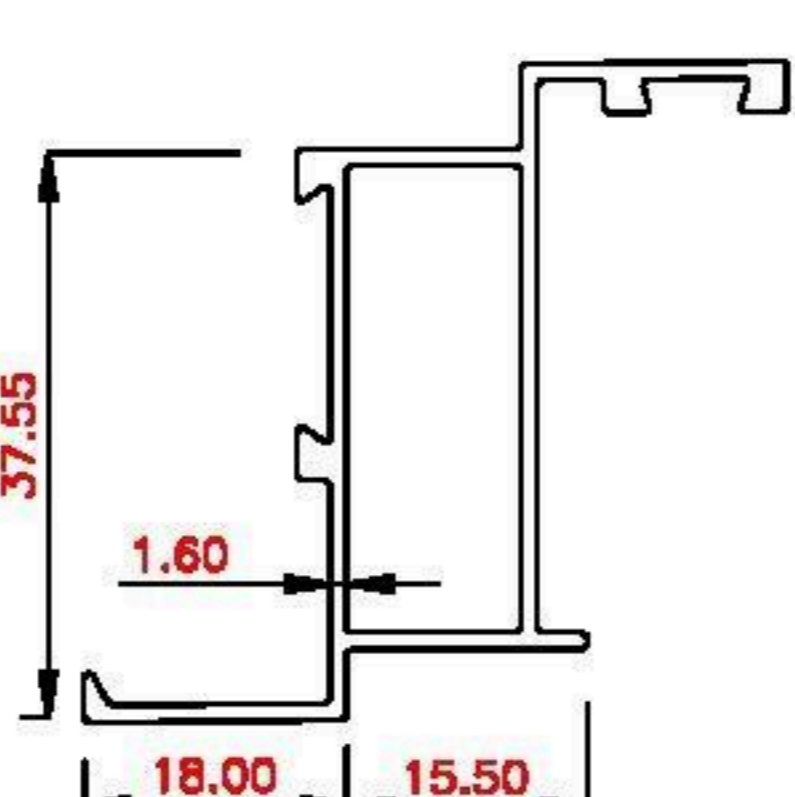
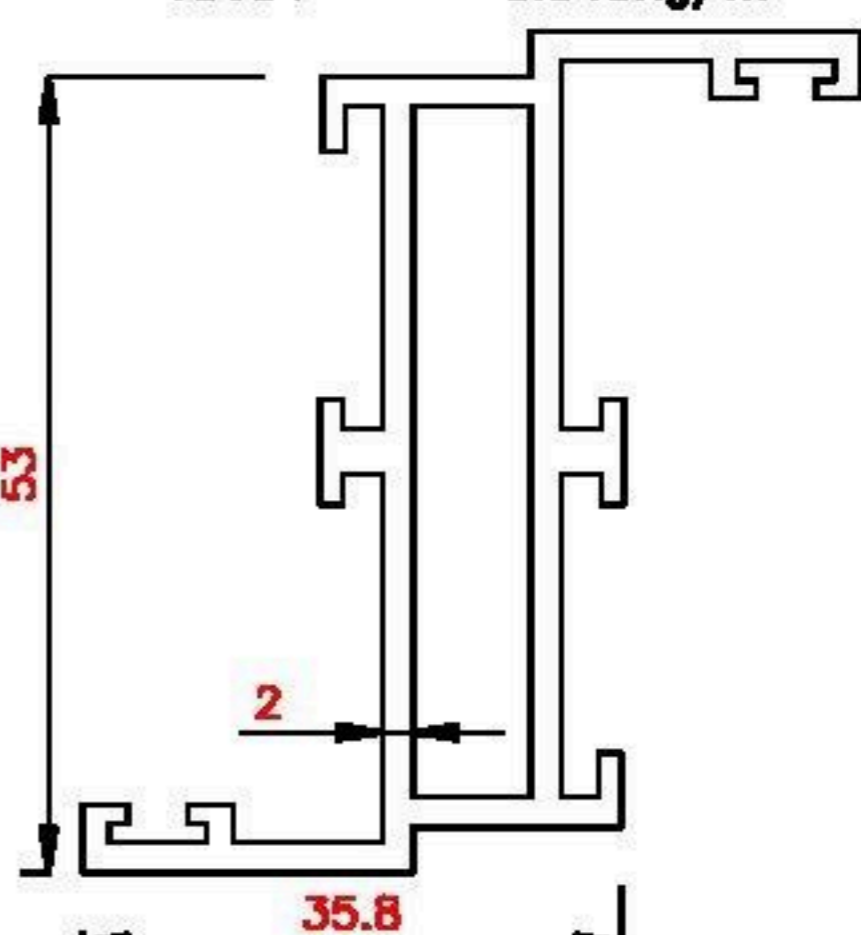
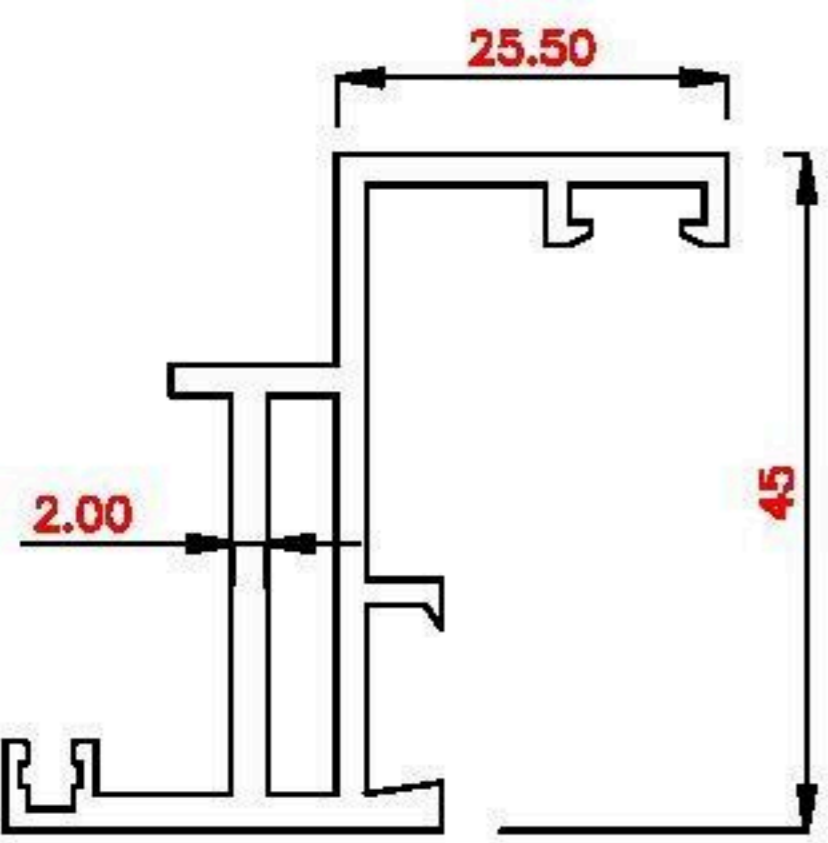
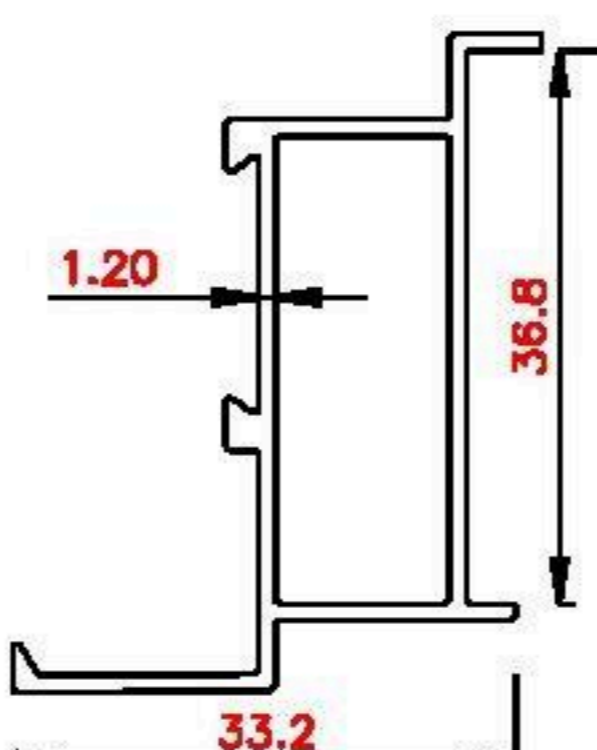
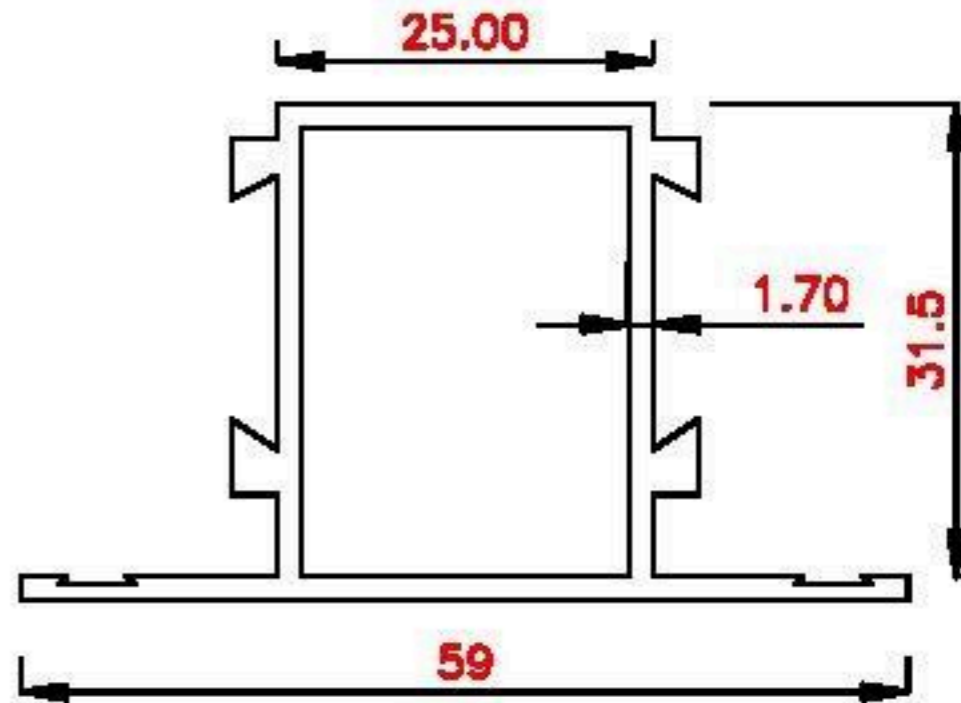
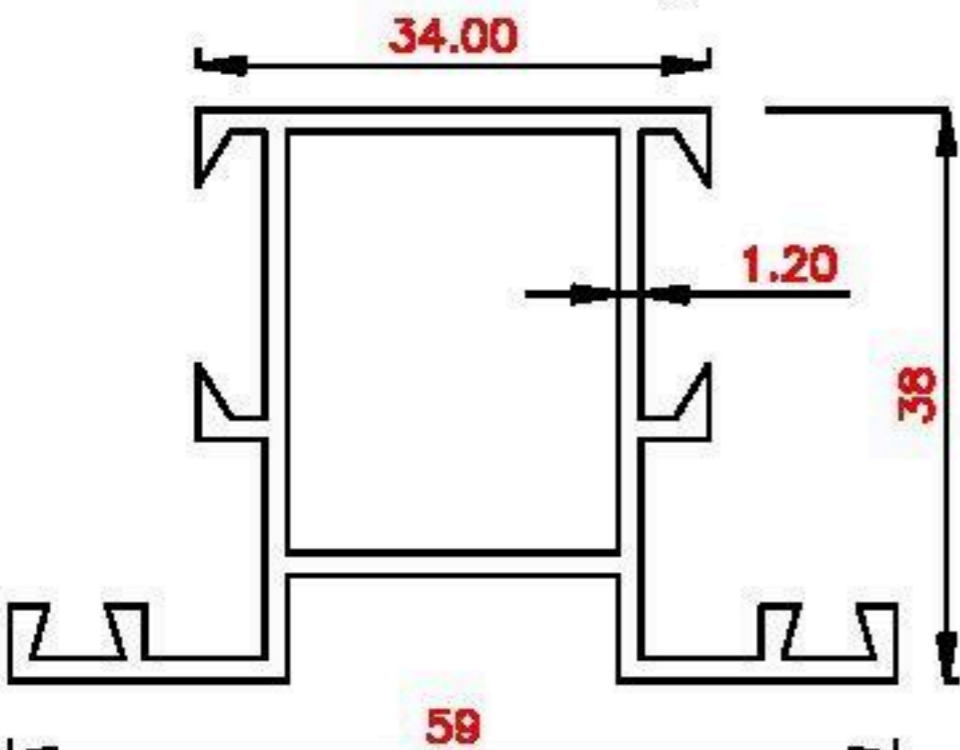
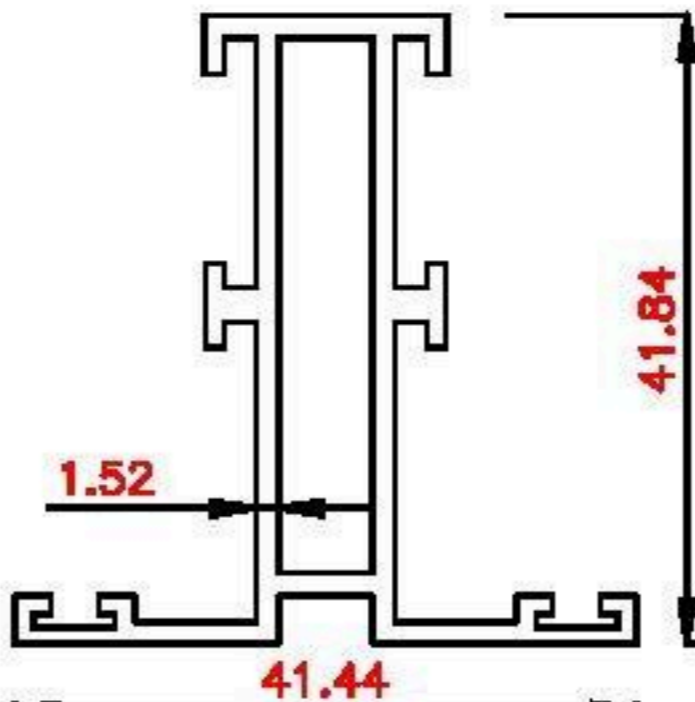
CASEMENT WINDOWS

<p>18454 0.877 Kg/m</p> 	<p>18455 0.675 Kg/m</p> 
<p>18456 0.367 Kg/m</p> 	<p>18457 0.314 Kg/m</p> 
<p>18458 2.169 Kg/m</p> 	<p>18459 1.770 Kg/m</p> 

EXTRUSION

VALCO

CASEMENT WINDOWS

<p>13102 0.492Kg/m</p> 	<p>13103 0.651Kg/m</p> 	<p>13104 0.948Kg/m</p> 
<p>13107 0.745Kg/m</p> 	<p>13113 0.538Kg/m</p> 	<p>13121 0.751Kg/m</p> 
<p>13123 0.781Kg/m</p> 	<p>13124 0.945Kg/m</p> 	Empty cell