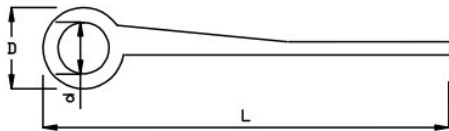
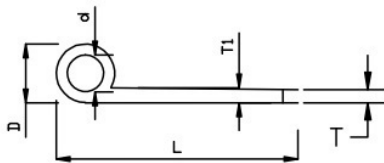


ALDROPS



SEC	L	D	d	T	Wt/12'
11901	99.00	19.85	12.65	3.20	3.90
11900	101.35	18.70	12.80	3.18	4.10
11903	115.50	23.00	15.70	3.45	5.82
11904	100.11	17.00	12.00	2.00	2.84
11905	125.00	24.00	15.80	3.70	6.30
11906	125.10	20.40	15.00	2.70	4.35
11907	125.00	22.00	15.50	3.00	5.20
11908	129.50	24.90	16.00	3.45	6.50
11909	129.90	25.80	16.20	3.75	7.10
11910	100.60	17.70	12.30	2.35	3.25
11912	95.40	15.00	11.80	2.10	2.34

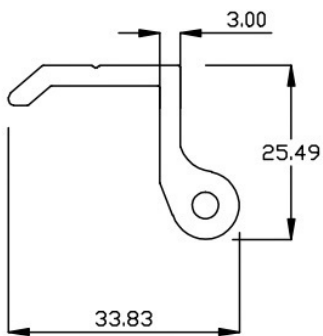
HINGES



SEC	L	D	d	T	T1	Wt/12'
12001	35.40	8.60	5.40	1.90	2.20	0.85
12002	35.60	8.70	5.50	2.05	2.40	0.95
12003	35.60	8.90	5.50	2.50	2.50	1.15
12004	37.00	11.00	5.25	3.40	4.00	1.80
12006	38.10	12.70	5.00	3.96	4.75	2.45
12024	25.40	6.60	3.40	2.40	2.40	0.71
12025	34.90	8.50	5.60	1.65	1.90	0.81
12026	35.20	8.75	5.60	2.00	2.00	0.91
12028	36.30	9.20	5.90	2.80	2.80	1.17
12029	36.40	9.30	5.50	2.90	3.25	1.30
12030	36.85	10.85	5.40	3.80	4.60	1.83
12031	44.00	11.80	8.00	1.80	1.80	1.16
12032	34.00	8.60	6.00	3.00	3.00	1.08
12033	36.30	9.60	5.40	3.60	4.20	1.58
12034	34.00	8.80	6.35	2.30	2.30	0.95

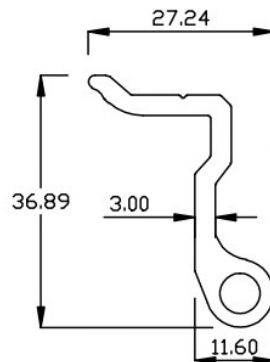
18028

0.547 Kg/m



18027

0.537 Kg/m



17859

0.490 Kg/m

