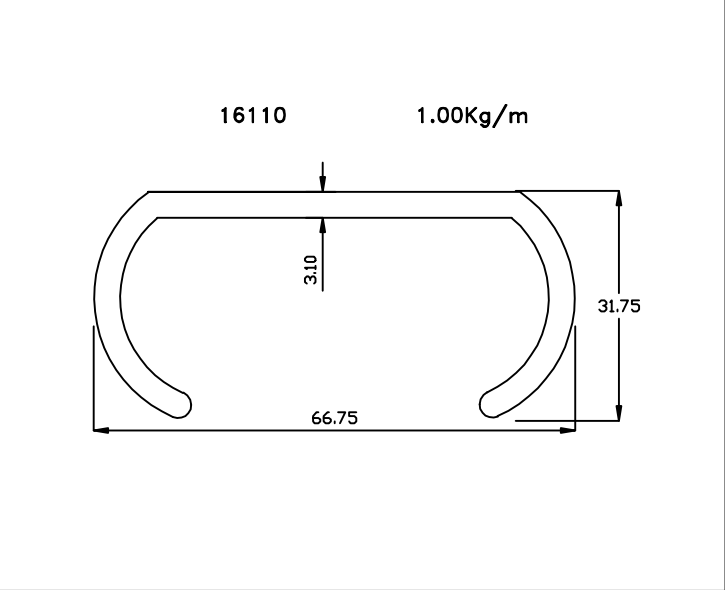
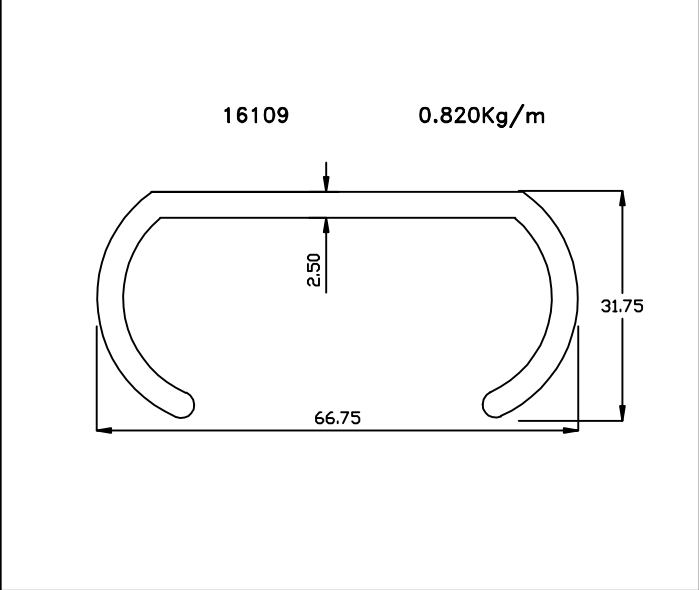
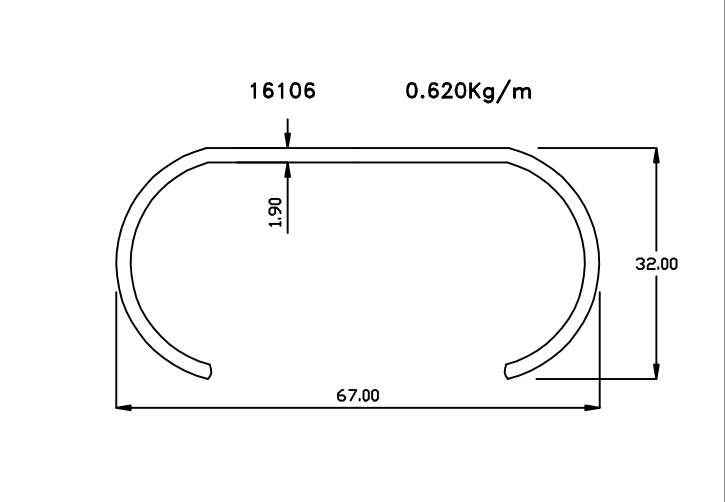
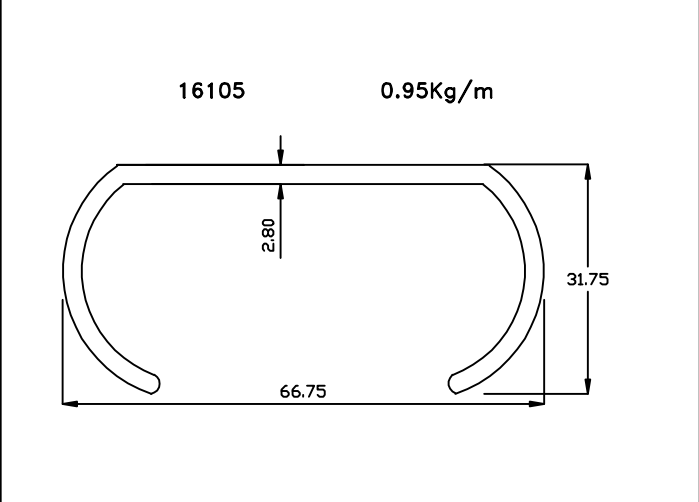
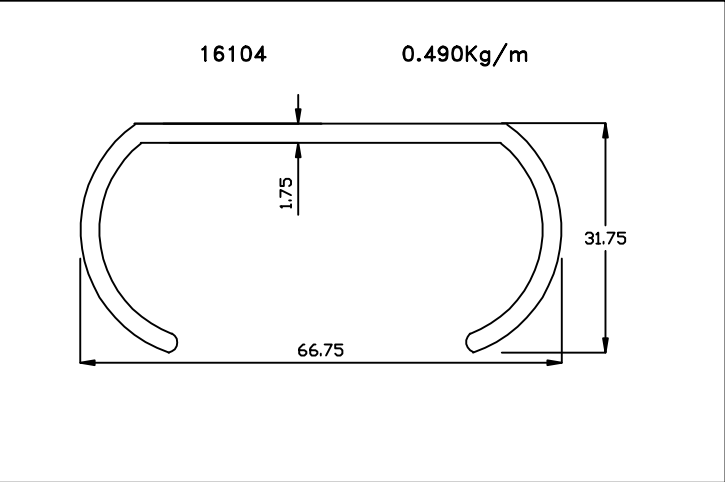
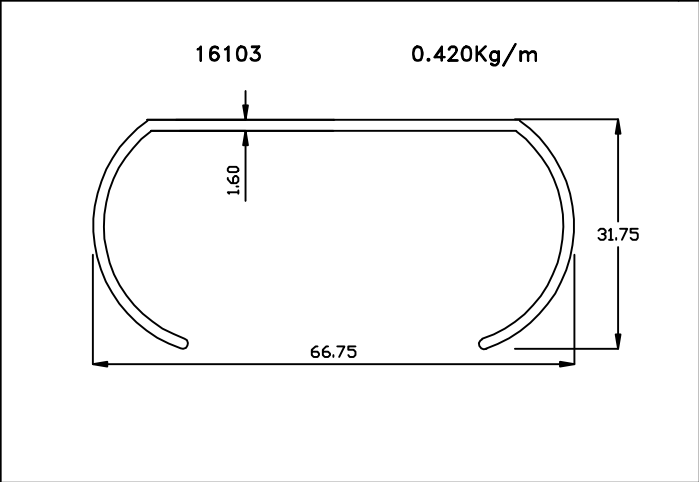


EXTRUSION

VALCO

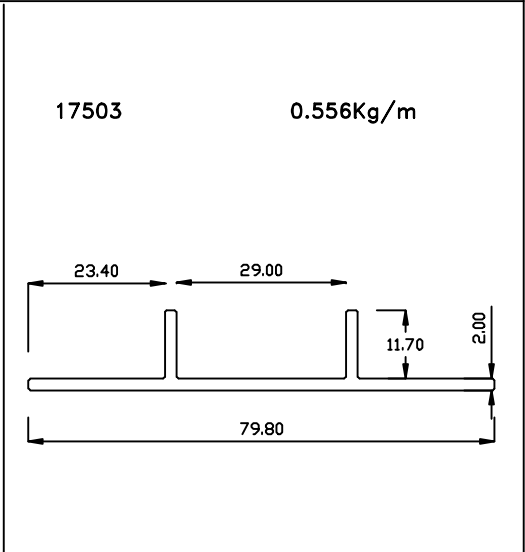
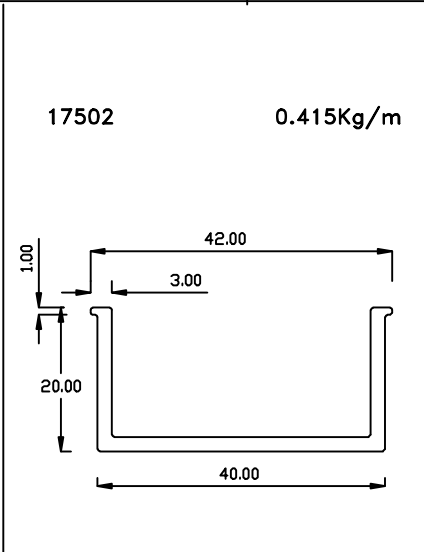
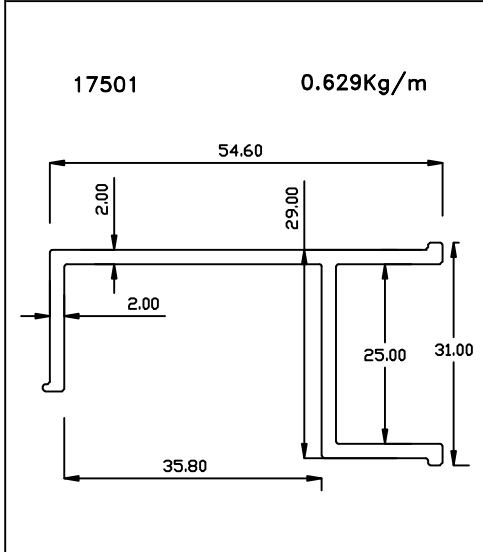
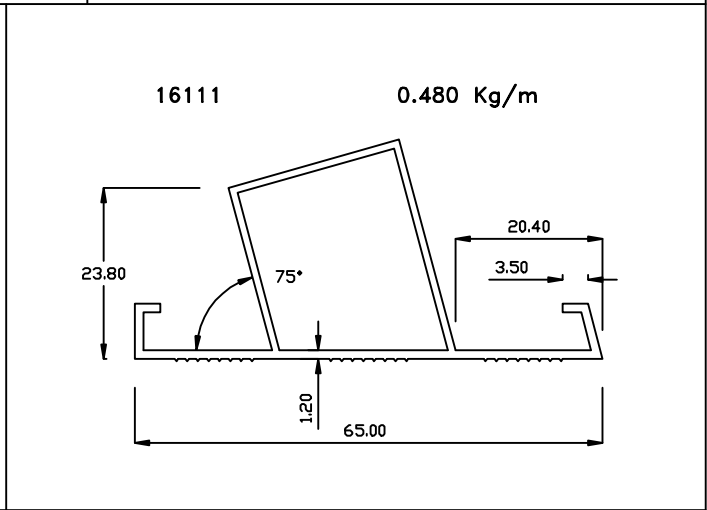
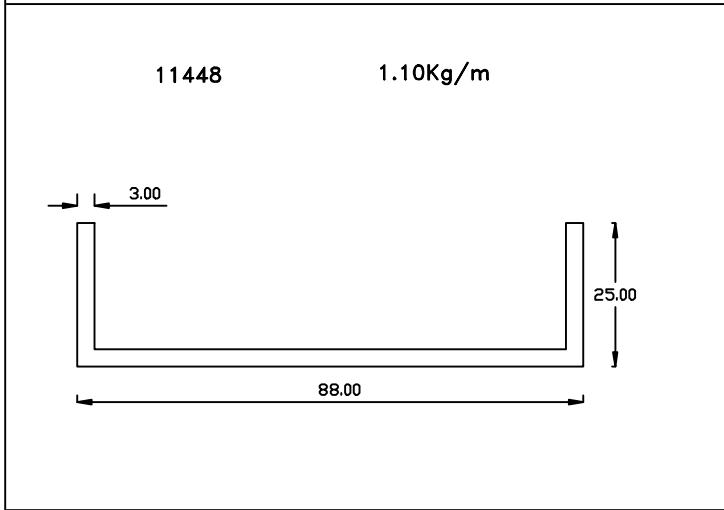
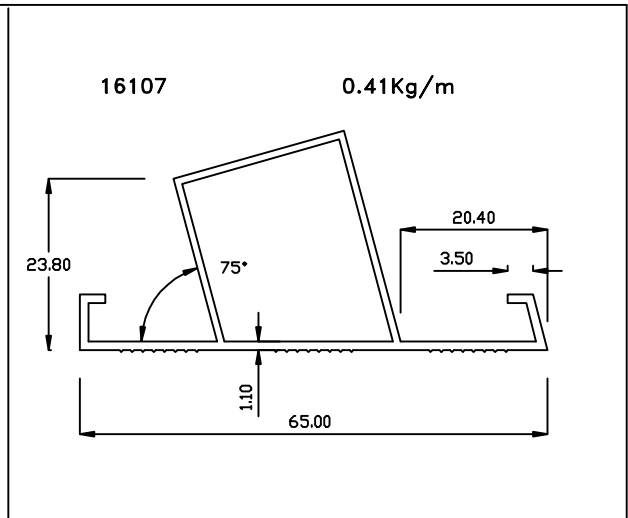
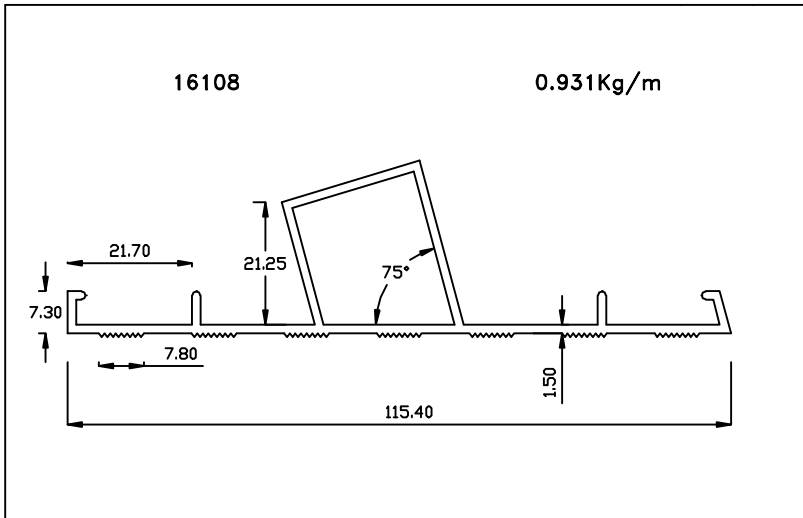
LADDER SECTIONS



EXTRUSION

VALCO

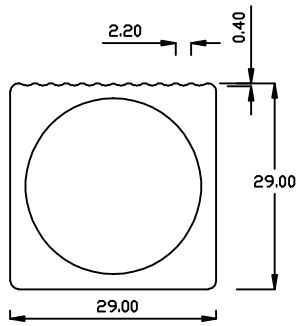
LADDER SECTIONS



LADDER SECTIONS

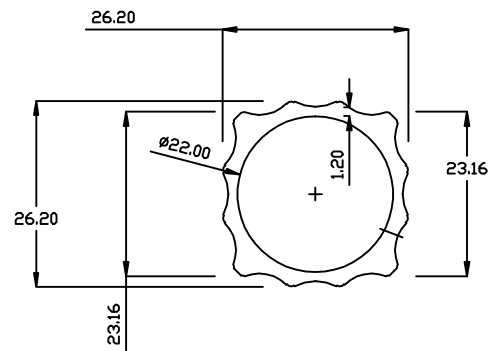
17504

0.945Kg/m



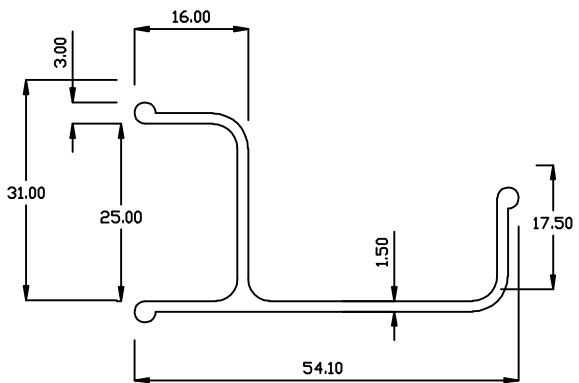
17556

0.500Kg/m



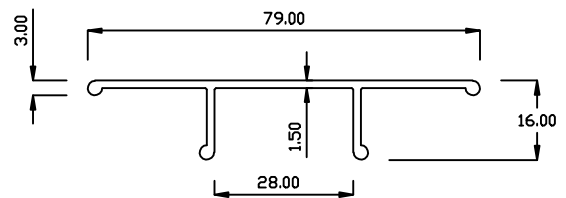
17633

0.464 Kg/m



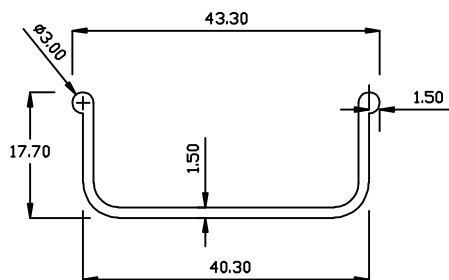
17634

0.470 Kg/m



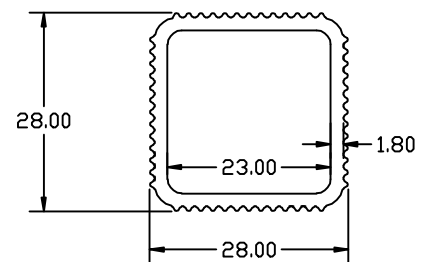
17635

0.295 Kg/m



17636

0.540 Kg/m



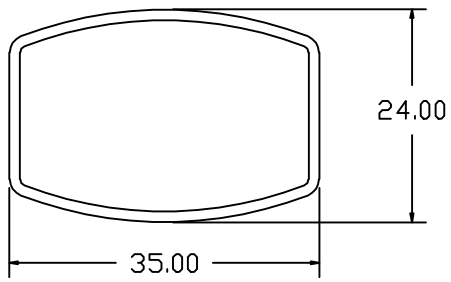
LADDER SECTIONS

<p>18291 1.220Kg/m</p>	<p>18526 1.322Kg/m</p>
<p>18785 0.447kg/m</p>	<p>18786 0.336g/m</p>
<p>18787 0.534Kg/m</p>	<p>18916 0.810Kg/m</p>

LADDER SECTIONS

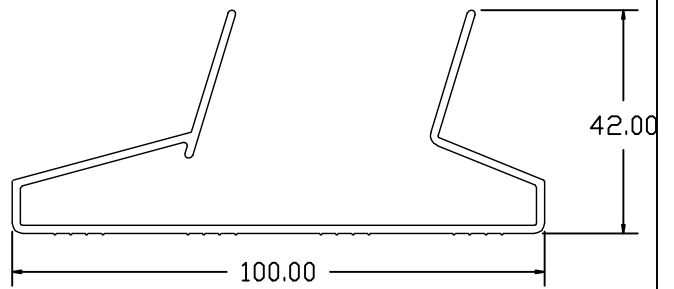
20008

0.346Kg/m



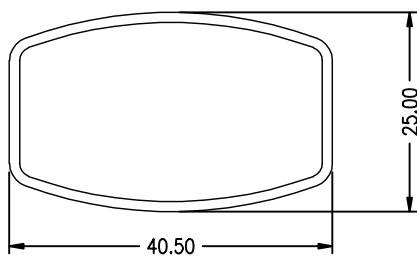
20009

0.988Kg/m



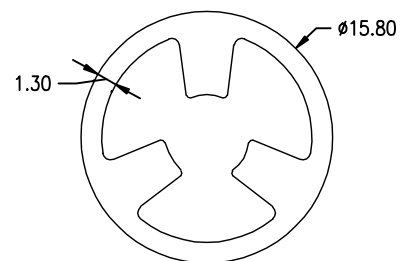
20013

0.425Kg/m



20014

0.425Kg/m



20133

1.055Kg/m

