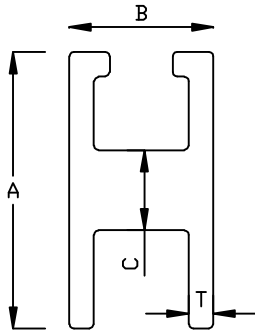


EXTRUSION

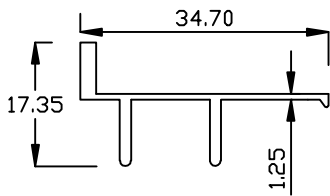
VALCO

TRANSPORT

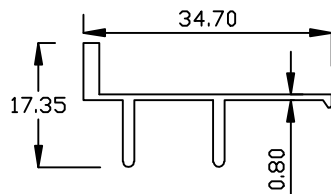


S.L. NO.	Section No.	A	B	C	T	Weight Kg/m
1	14001	23.20	11.50	4.30	1.00	0.225
2	14002	23.50	12.00	4.55	1.20	0.250
3	14003	23.50	12.20	4.75	1.35	0.310
4	14004	23.80	12.20	5.00	1.50	0.455
5	14005	24.20	12.60	7.00	2.15	0.575

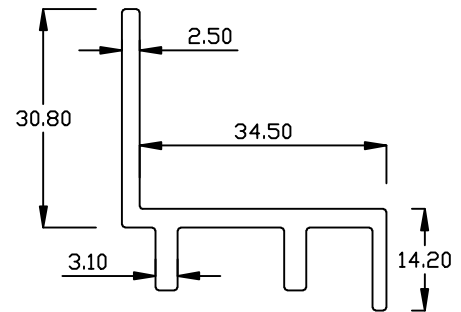
14015 0.225 Kg/m



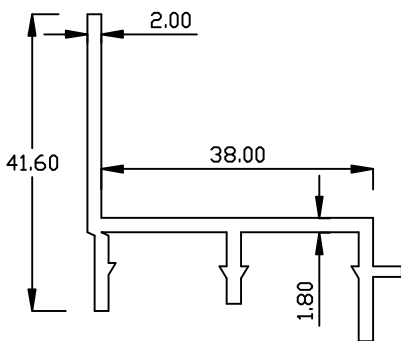
14016 0.177 Kg/m



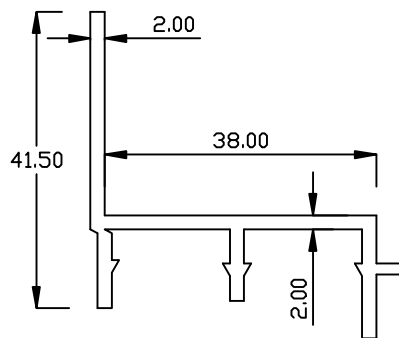
14013 0.602 Kg/m



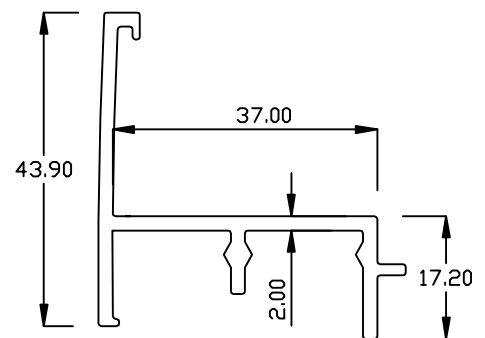
14024 0.527 Kg/m



14025 0.642 Kg/m



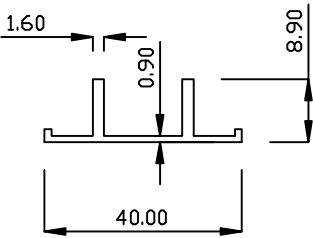
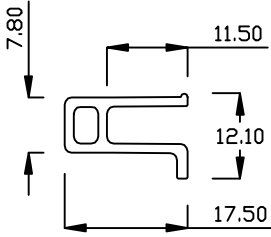
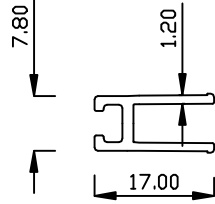
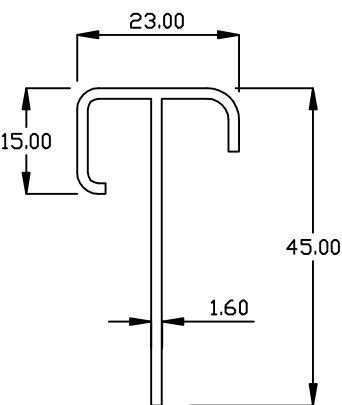
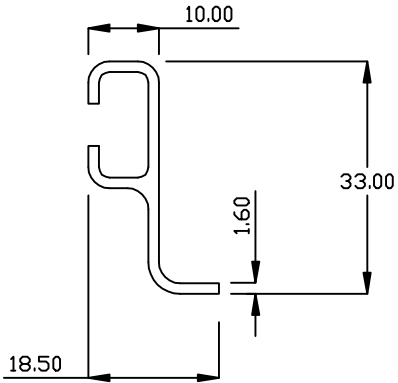
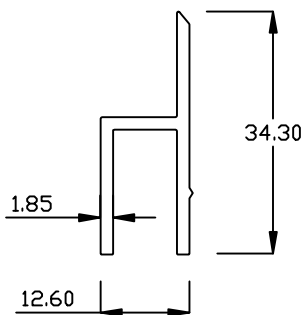
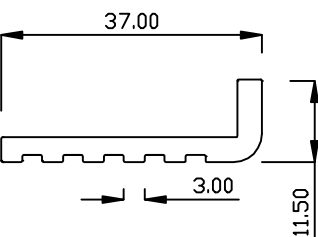
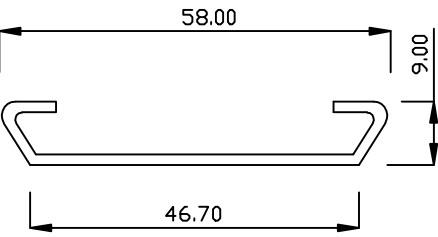
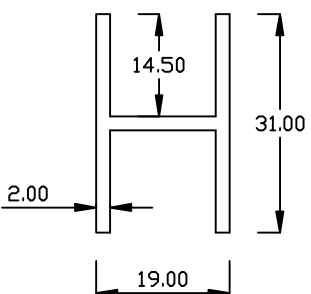
14027 0.610 Kg/m



EXTRUSION

VALCO

TRANSPORT

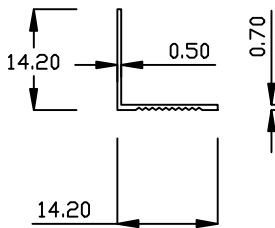
<p>14017 0.147 Kg/m</p> 	<p>14022 0.155 Kg/m</p> 	<p>14023 0.128 Kg/m</p> 
<p>14020 0.510 Kg/m</p> 	<p>14021 0.411 Kg/m</p> 	<p>14030 0.300 Kg/m</p> 
<p>14031 0.385 Kg/m</p> 	<p>14033 0.389 Kg/m</p> 	<p>14032 0.415 Kg/m</p> 

EXTRUSION

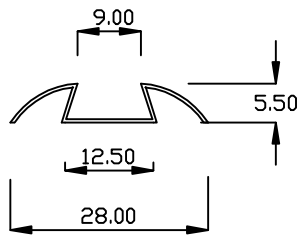
VALCO

TRANSPORT

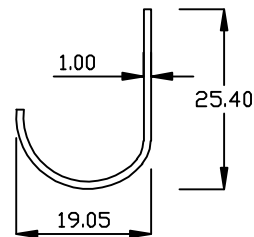
14047 0.048 Kg/m



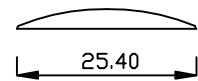
14081 0.049 Kg/m



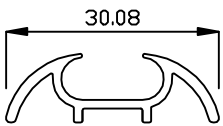
14083 0.100 Kg/m



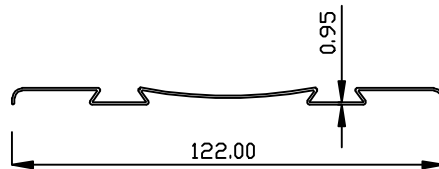
11561 0.102Kg/m



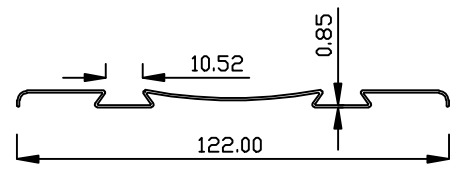
14082 0.275 Kg/m



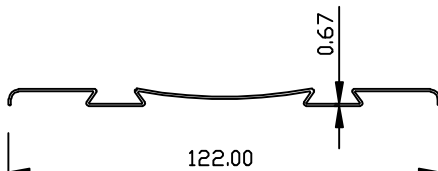
14085 0.315 Kg/m



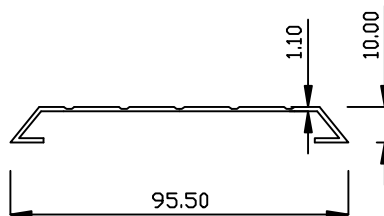
14086 0.270Kg/m



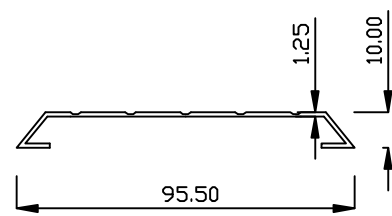
14087 0.242 Kg/m



14088 0.342 Kg/m



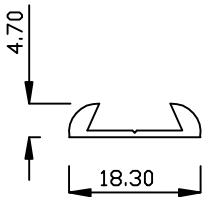
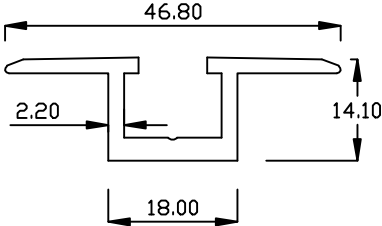
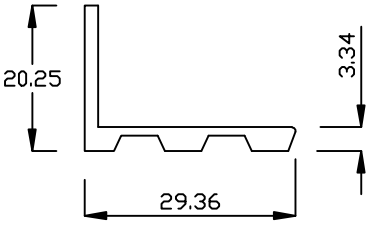
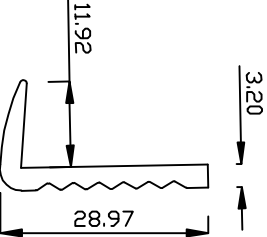
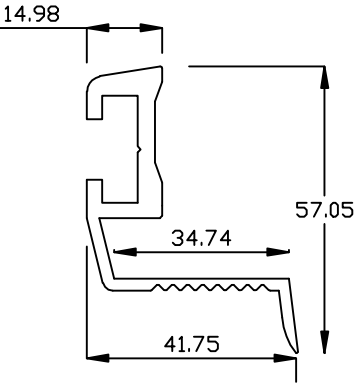
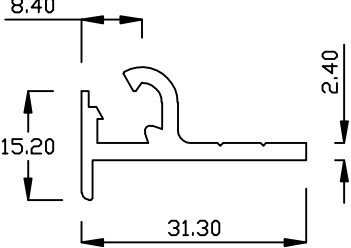
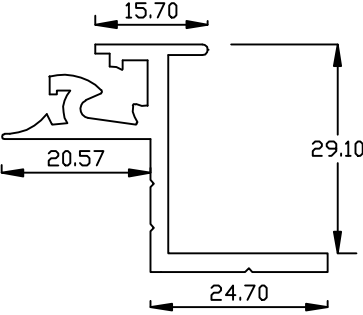
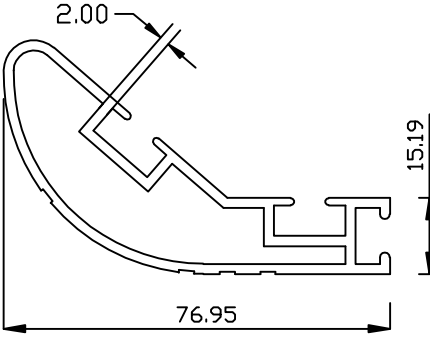
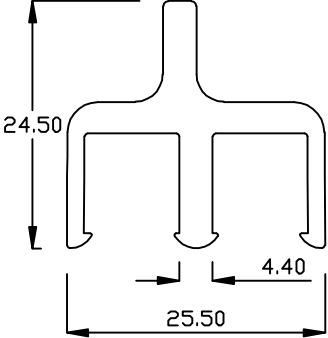
14089 0.365 Kg/m



EXTRUSION

VALCO

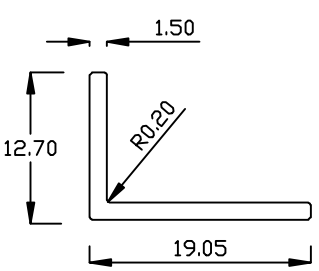
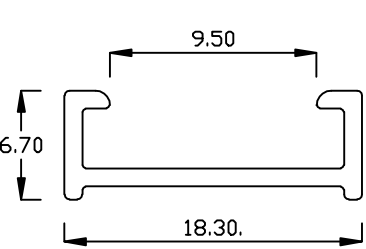
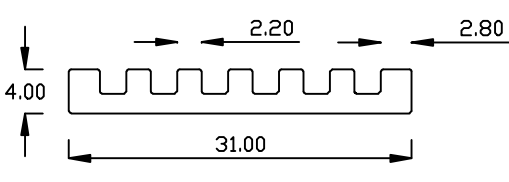
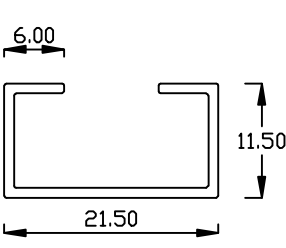
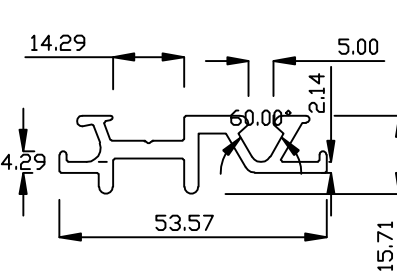
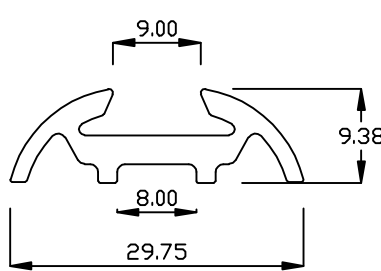
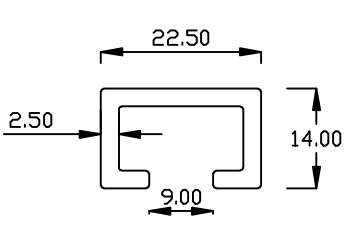
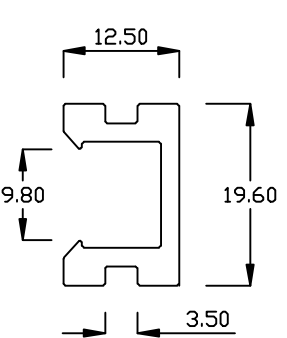
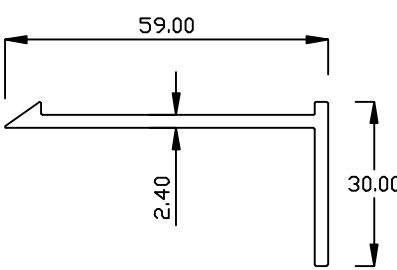
TRANSPORT

<p>14051 0.0915 Kg/m</p> 	<p>14052 0.437 Kg/m</p> 	<p>14053 0.255 Kg/m</p> 
<p>14054 0.281 Kg/m</p> 	<p>14055 0.902 Kg/m</p> 	<p>14056 2.321 Kg/m</p> 
<p>14057 0.634 Kg/m</p> 	<p>14058 1.205 Kg/m</p> 	<p>14059 0.513 Kg/m</p> 

EXTRUSION

VALCO

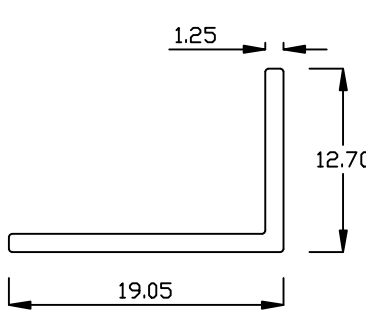
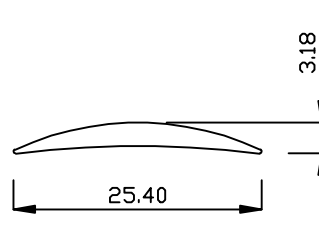
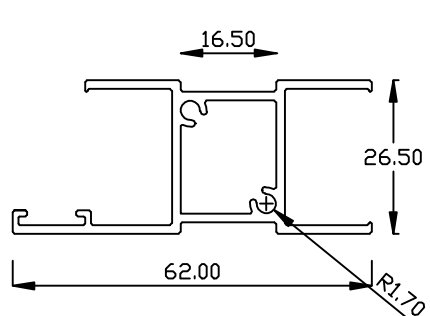
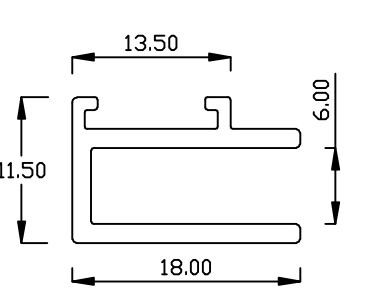
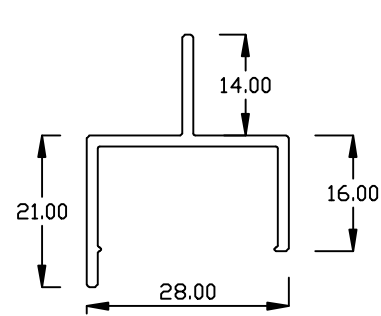
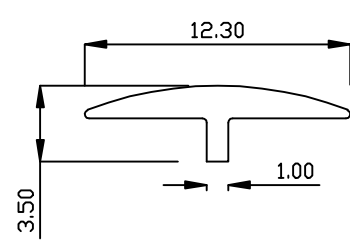
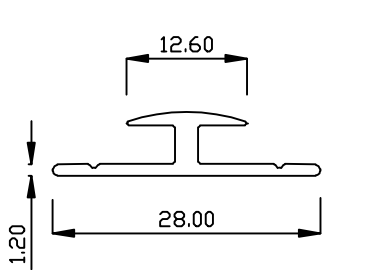
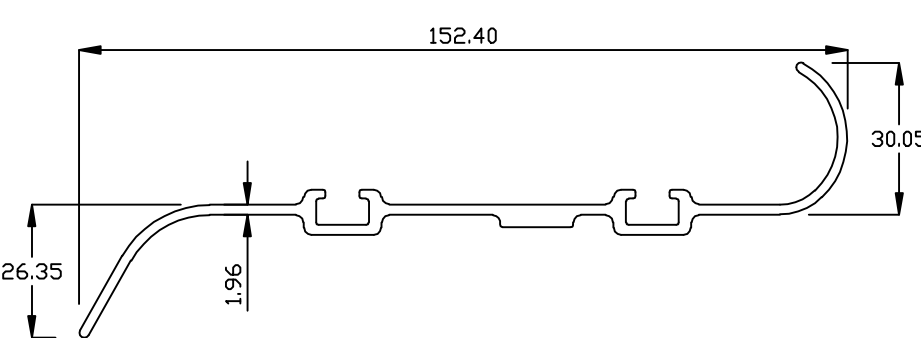
TRANSPORT

<p>14061 0.1255 Kg/m</p> 	<p>14062 0.098 Kg/m</p> 	<p>14063 0.253 Kg/m</p> 
<p>14064 0.146 Kg/m</p> 	<p>14065 0.378 Kg/m</p> 	<p>14066 0.310 Kg/m</p> 
<p>14067 0.372 Kg/m</p> 	<p>14068 0.302 Kg/m</p> 	<p>14069 0.570 Kg/m</p> 

EXTRUSION

VALCO

TRANSPORT

<p>14070 0.104 Kg/m</p> 	<p>14071 0.120 Kg/m</p> 	<p>14072 0.713 Kg/m</p> 
<p>14073 0.196 Kg/m</p> 	<p>14074 0.315 Kg/m</p> 	<p>14092 0.042 Kg/m</p> 
<p>14091 0.150 Kg/m</p> 	<p>14093 1.200 Kg/m</p> 	

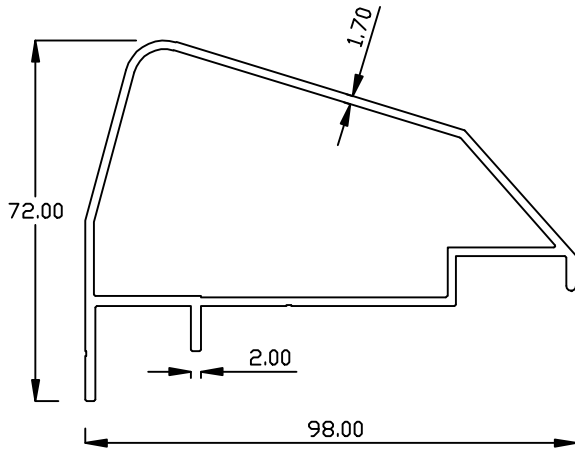
EXTRUSION

VALCO

TRANSPORTS SECTIONS

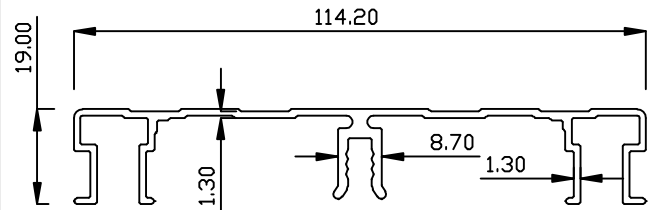
17545

1.400 Kg/m



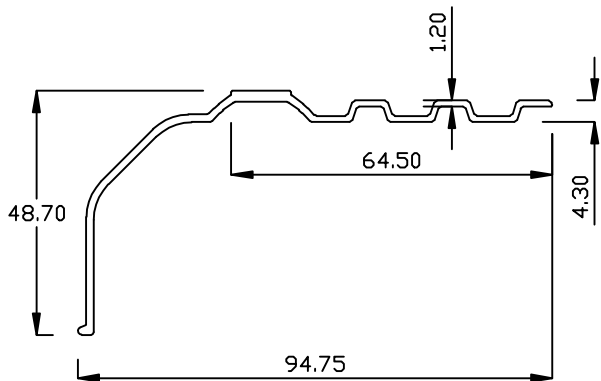
17546

0.960 Kg/m



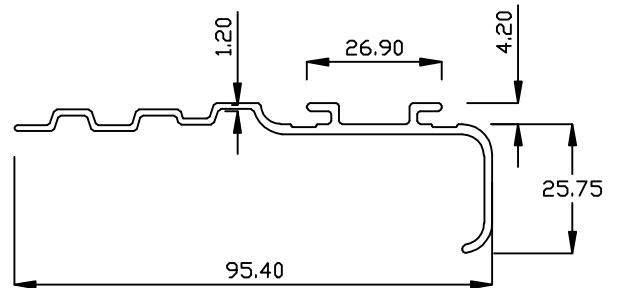
17274

0.550 Kg/m



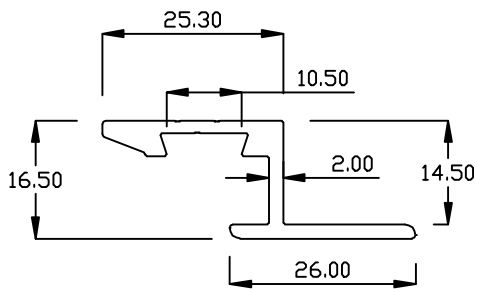
17275

0.610 Kg/m



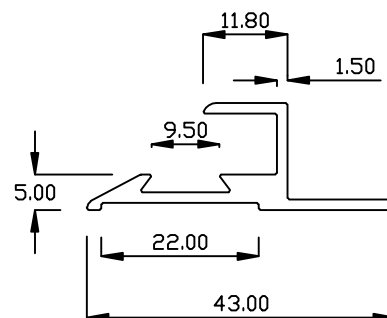
17801

0.406 Kg/m



17802

0.348 Kg/m



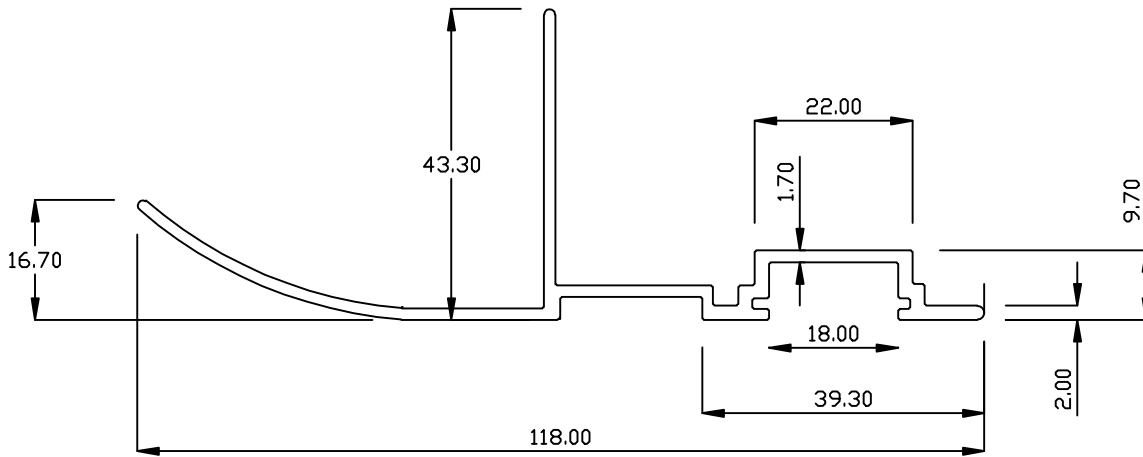
EXTRUSION

VALCO

TRANSPORTS SECTIONS

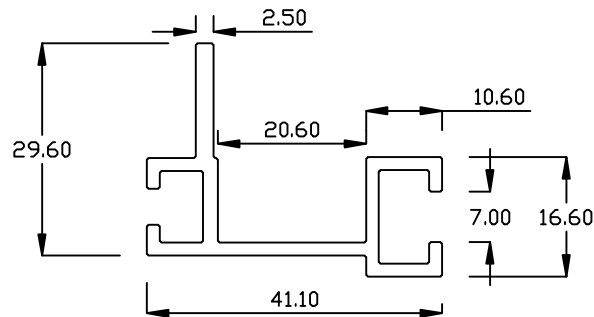
17805

0.857 Kg/m



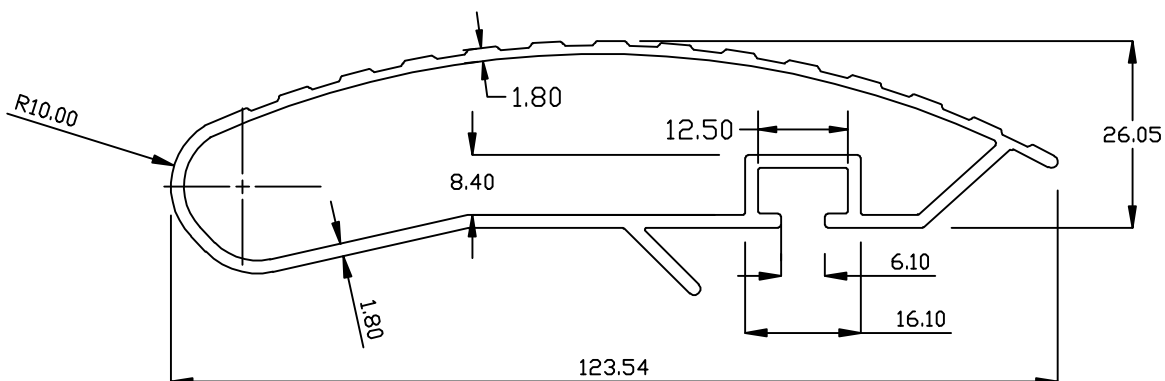
17806

0.590 Kg/m

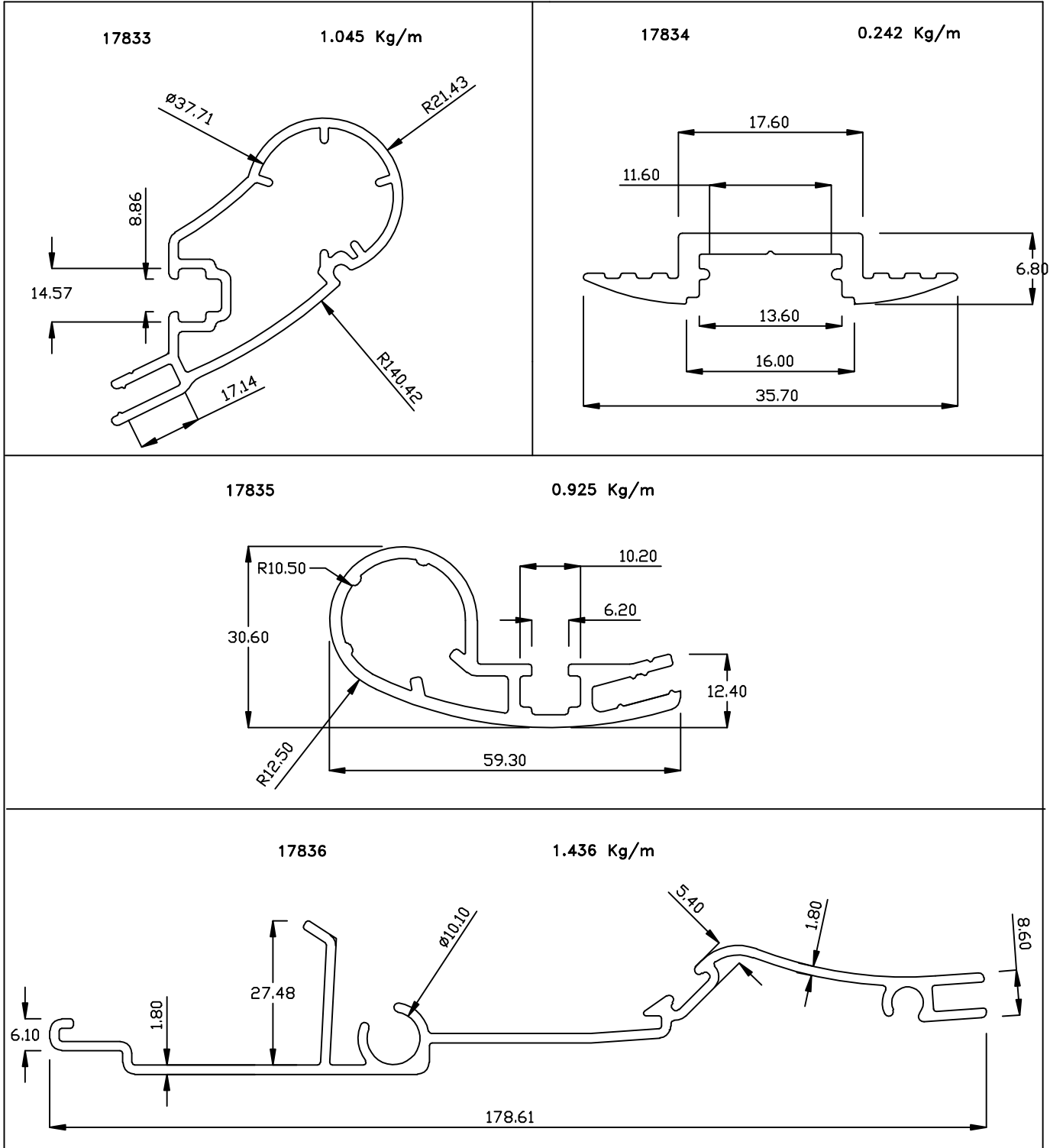


17808

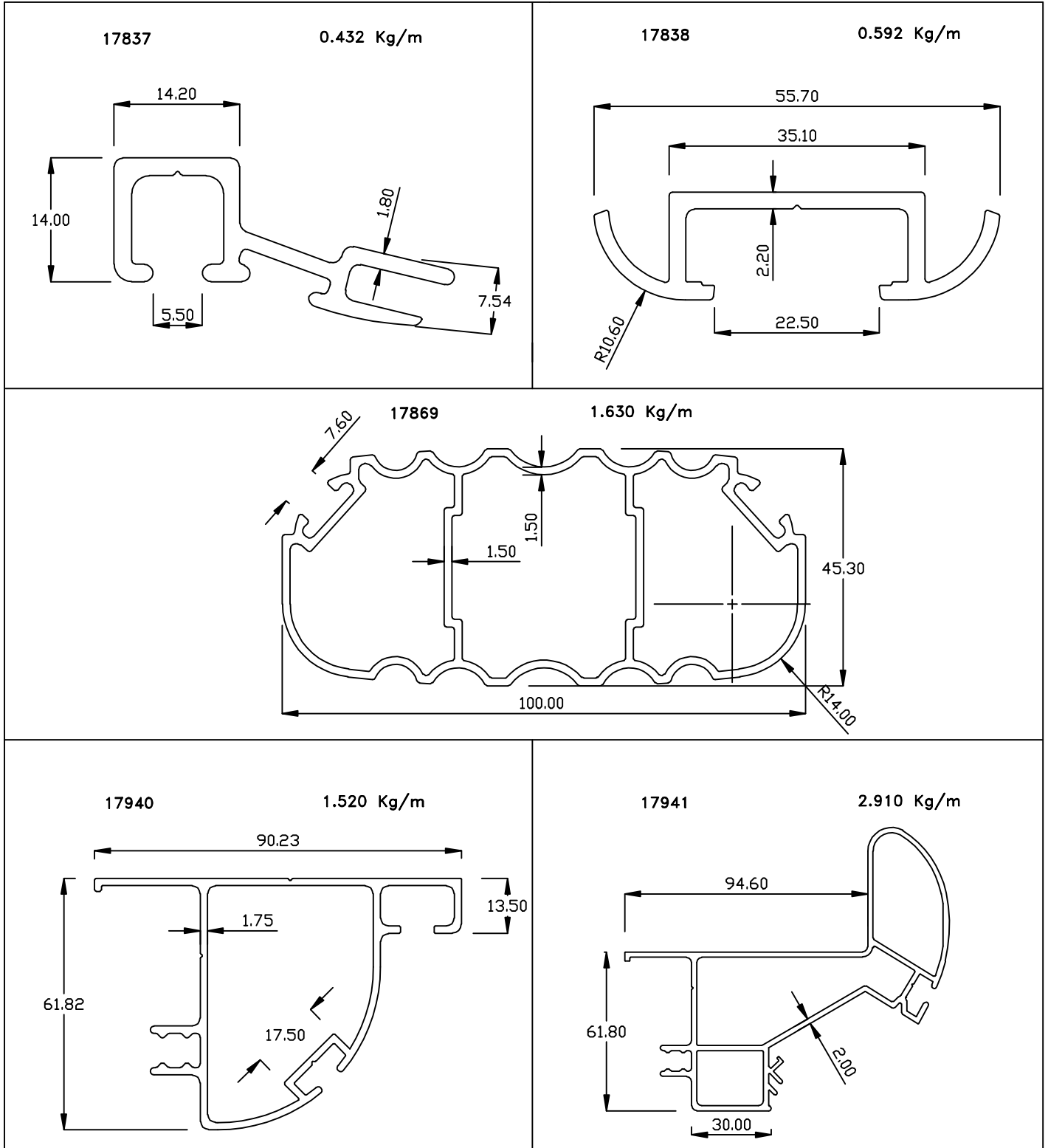
1.350 Kg/m



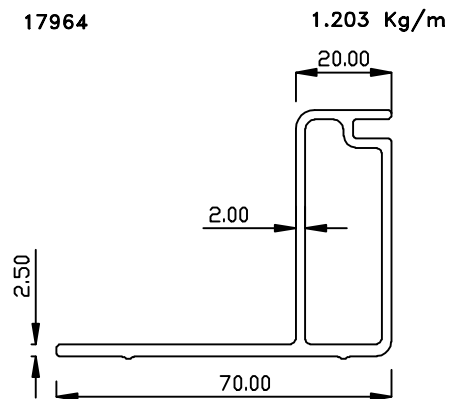
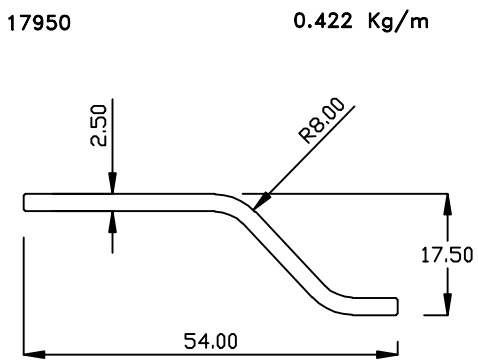
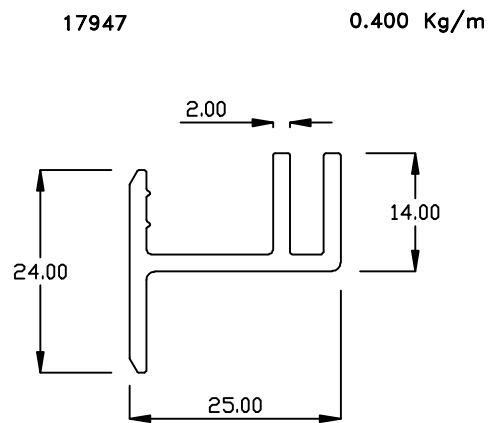
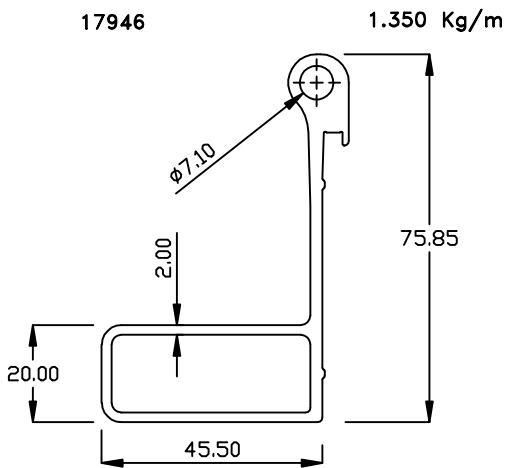
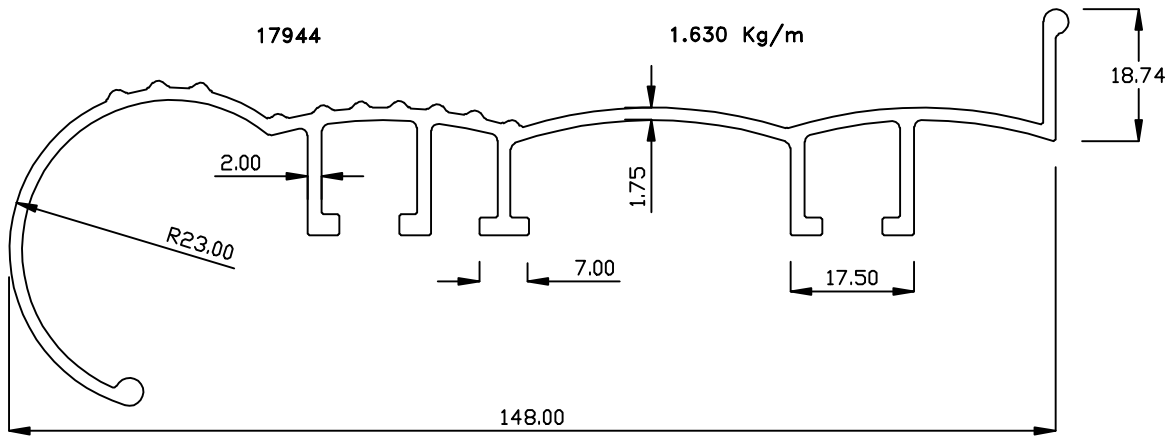
TRANSPORTS SECTIONS



TRANSPORTS SECTIONS

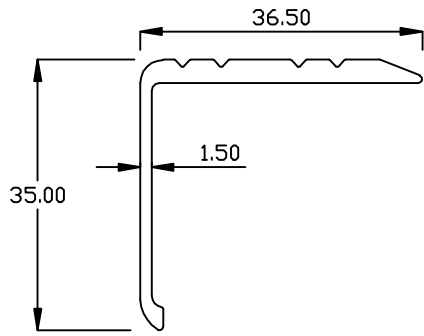


TRANSPORTS SECTIONS

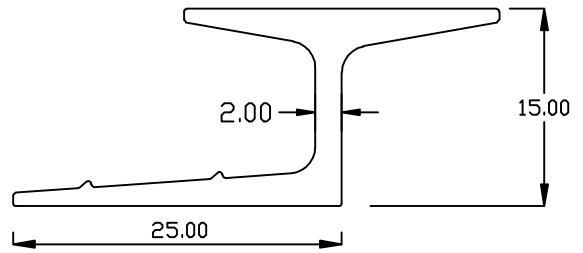


TRANSPORTS SECTIONS

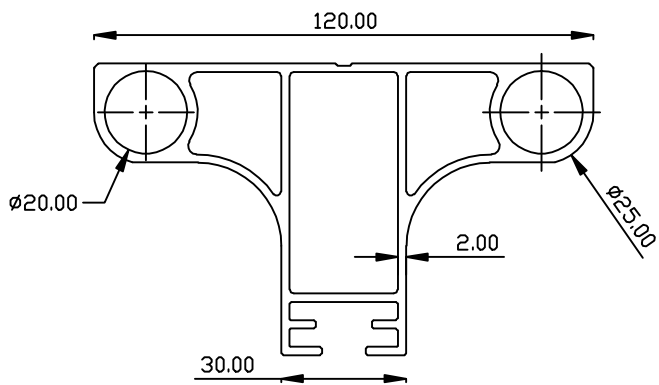
17965 0.422 Kg/m



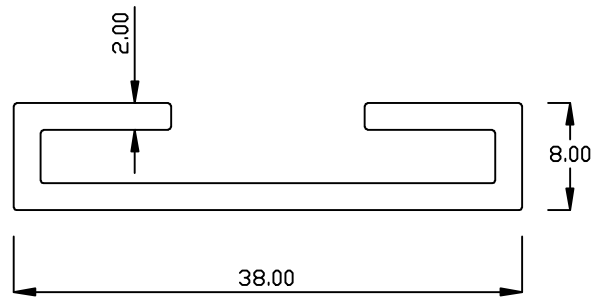
17966 0.335 Kg/m



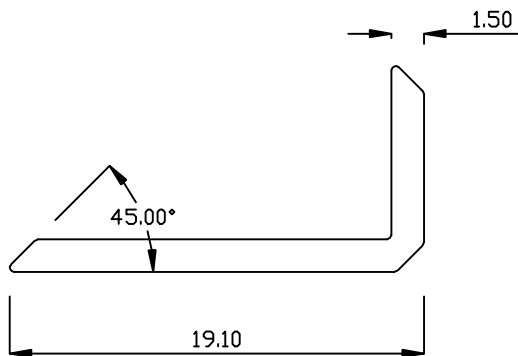
17990 3.150 Kg/m



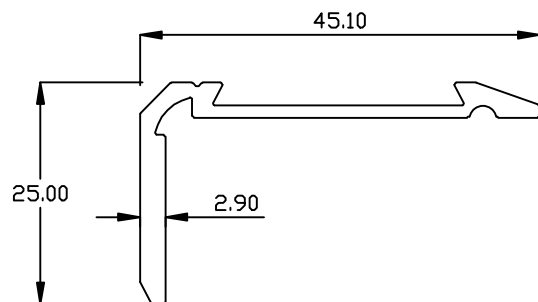
17991 0.405 Kg/m



17992 0.125 Kg/m



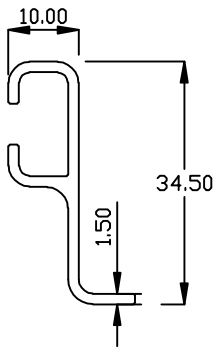
17993 0.425 Kg/m



TRANSPORTS SECTIONS

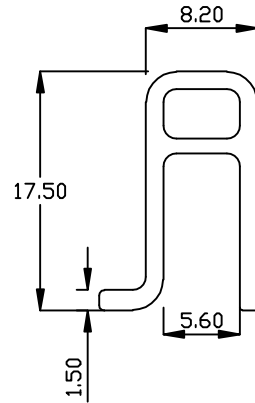
14028

0.270 Kg/m



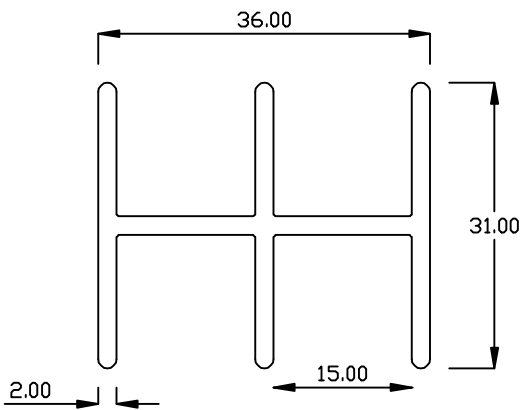
14029

0.185 Kg/m



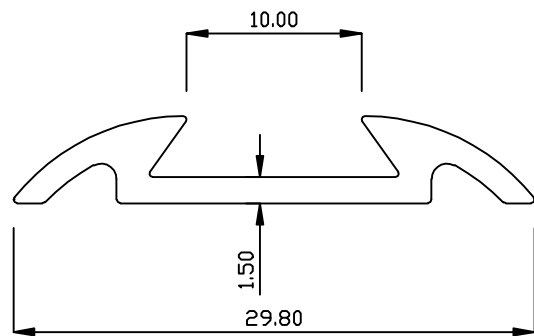
14034

0.690 Kg/m



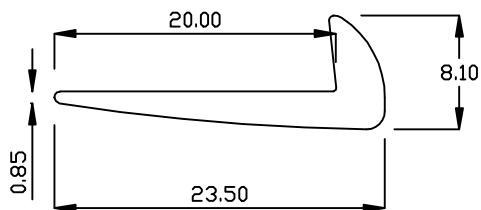
14035

0.190 Kg/m



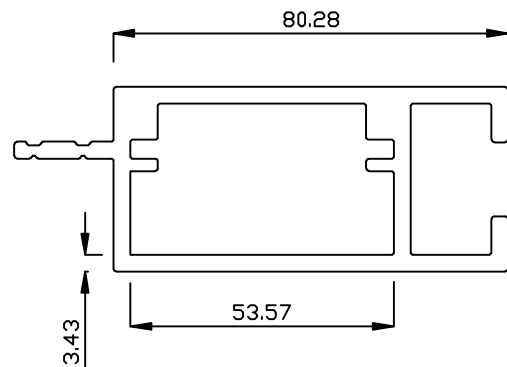
18018

0.190 Kg/m



18019

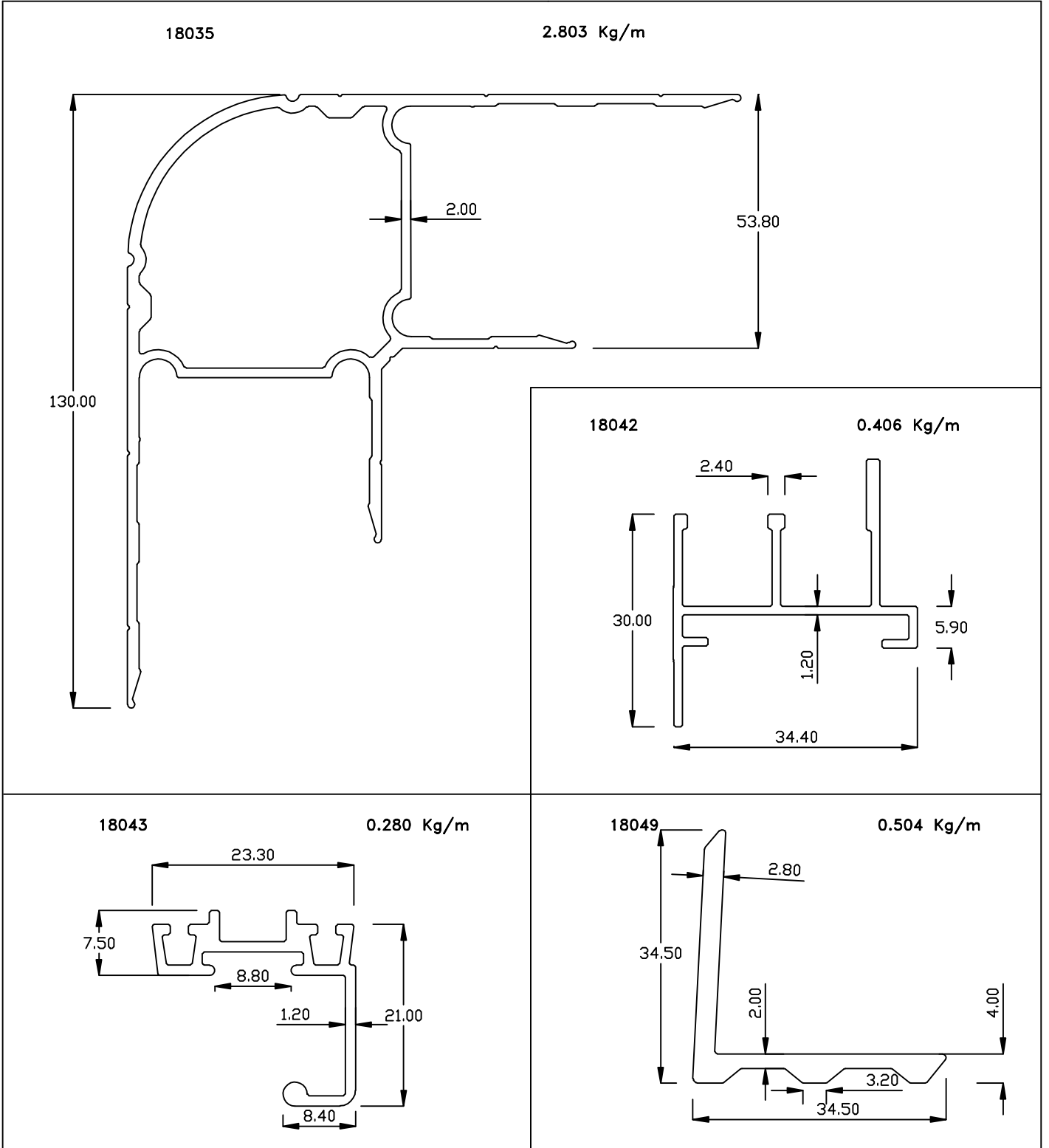
1361 Kg/m



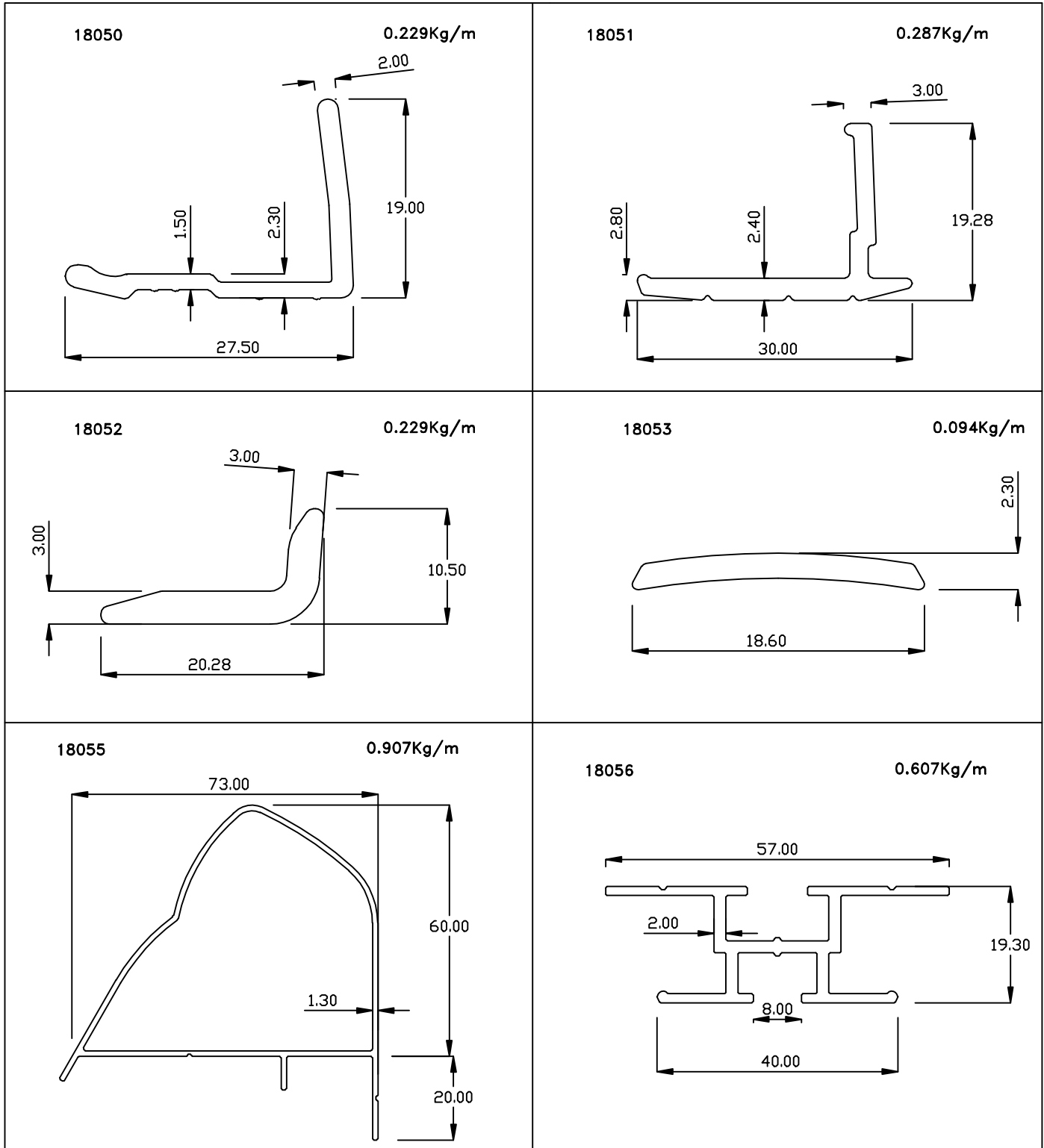
TRANSPORTS SECTIONS

<p style="text-align: center;">18020 0.480 Kg/m</p>	<p style="text-align: center;">18021 0.120 Kg/m</p>
<p style="text-align: center;">18023 0.690 Kg/m</p>	<p style="text-align: center;">18029 0.239 Kg/m</p>
<p style="text-align: center;">18034 0.312 Kg/m</p>	<p style="text-align: center;">14036 0.358 Kg/m</p>

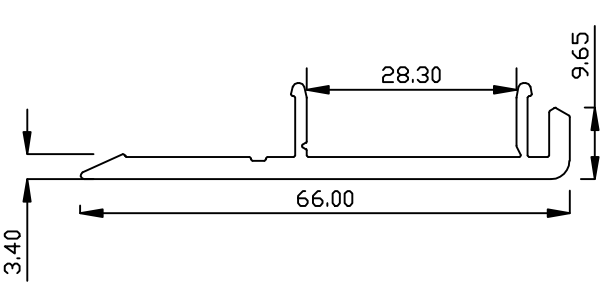
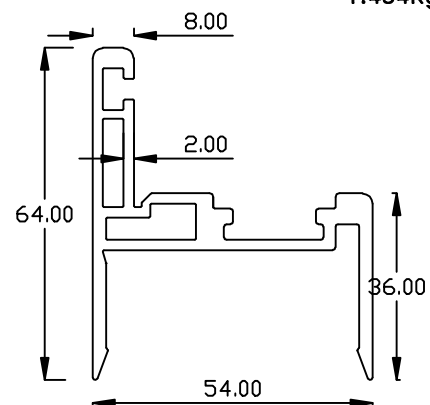
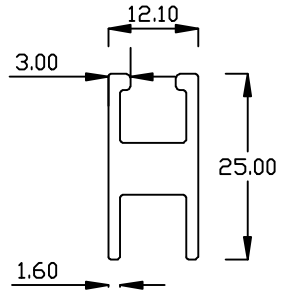
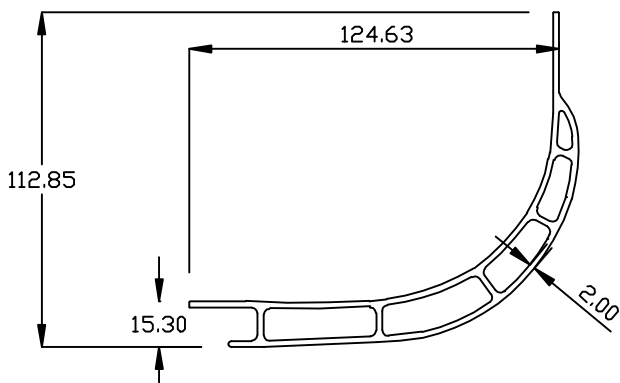
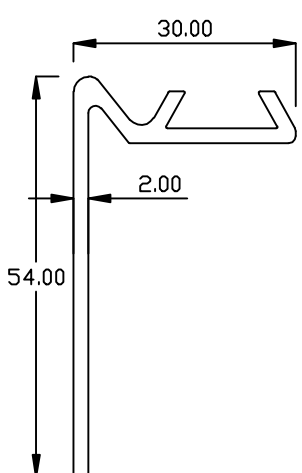
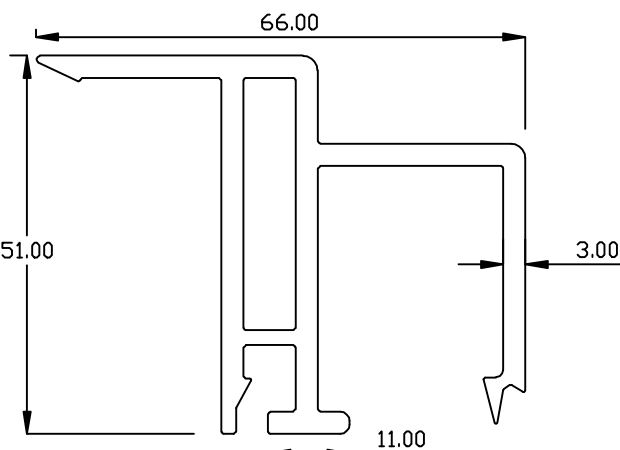
TRANSPORTS SECTIONS



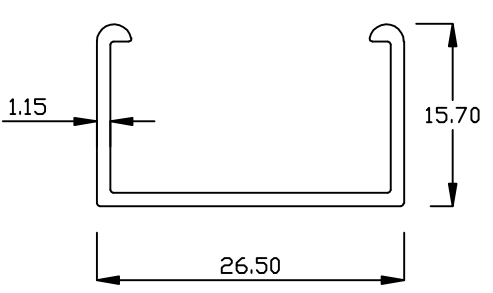
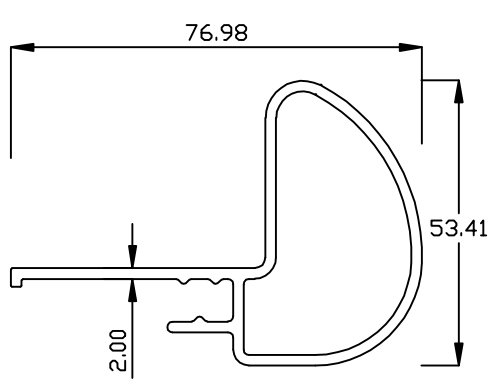
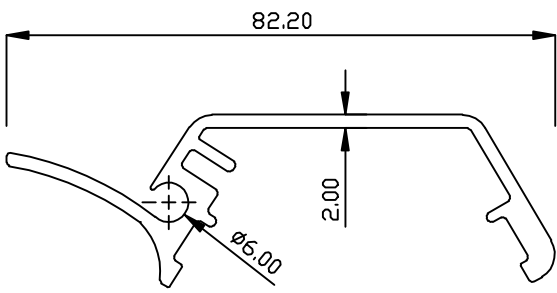
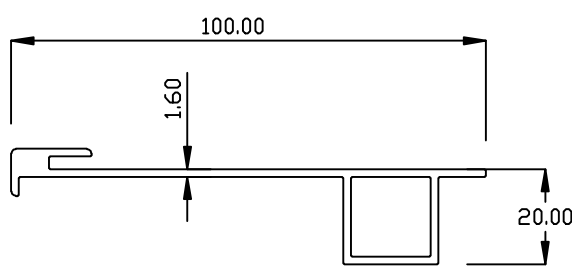
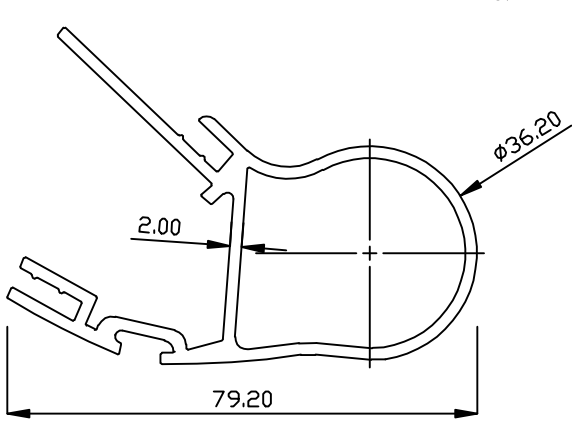
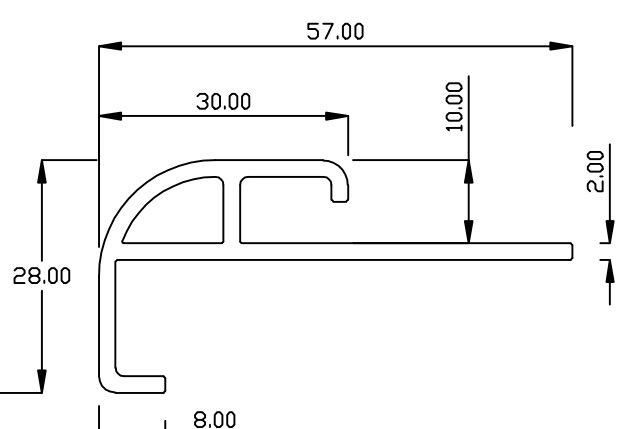
TRANSPORTS SECTIONS



TRANSPORTS SECTIONS

<p>18069 0.658Kg/m</p> 	<p>18070 1.434Kg/m</p> 
<p>18071 0.417Kg/m</p> 	<p>18075 2.336Kg/m</p> 
<p>18076 0.547Kg/m</p> 	<p>18080 1.672Kg/m</p> 

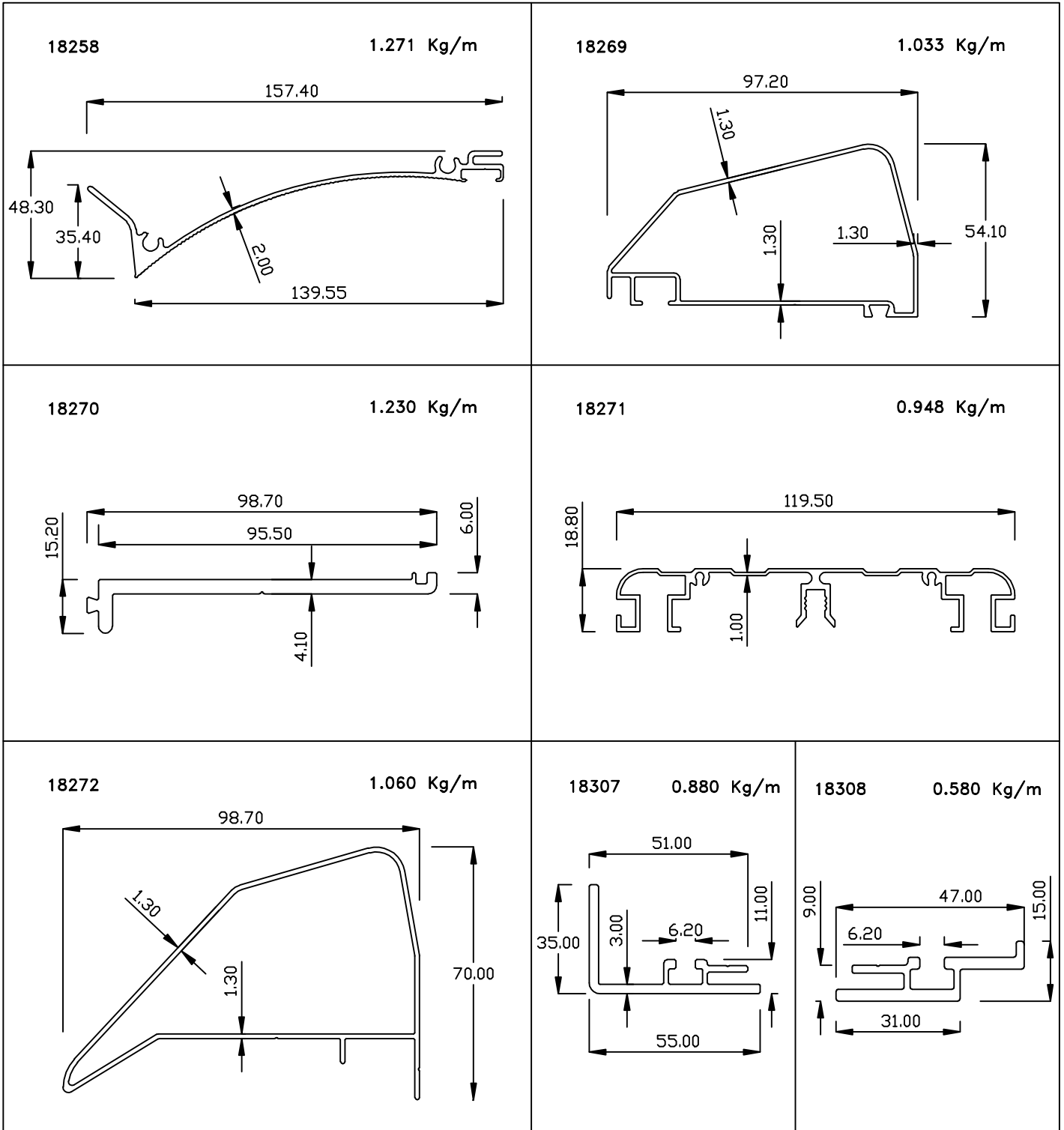
TRANSPORTS SECTIONS

<p>18081 0.197 Kg/m</p> 	<p>18088 1.092 Kg/m</p> 
<p>18100 0.853 Kg/m</p> 	<p>18110 0.834 Kg/m</p> 
<p>18111 1.448 Kg/m</p> 	<p>18210 0.654 Kg/m</p> 

TRANSPORTS SECTIONS

<p>18211 0.438 Kg/m</p>	<p>18213 0.493 Kg/m</p>
<p>18241 0.604 Kg/m</p>	<p>18255 0.613 Kg/m</p>
<p>18256 0.541 Kg/m</p>	<p>18257 0.938 Kg/m</p>

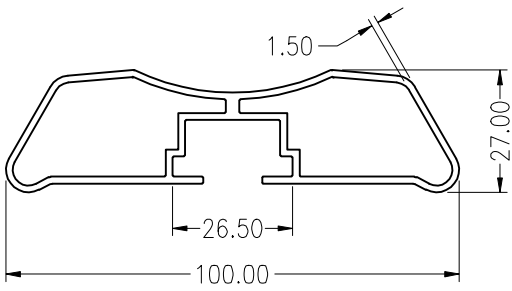
TRANSPORTS SECTIONS



TRANSPORTS SECTIONS

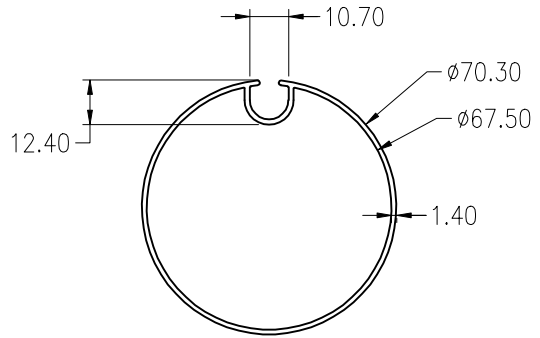
18386

1.125 Kg/m



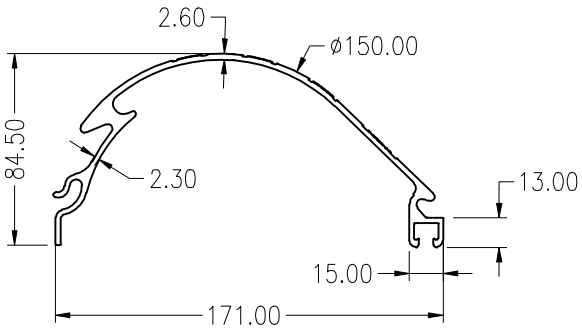
18388

0.900 Kg/m



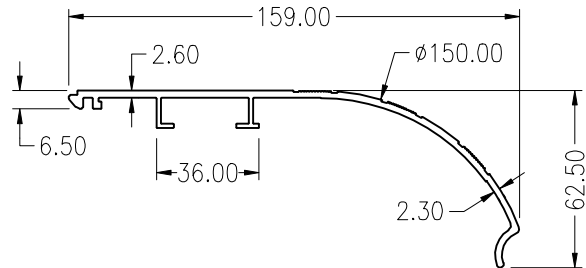
18389

2.587 Kg/m



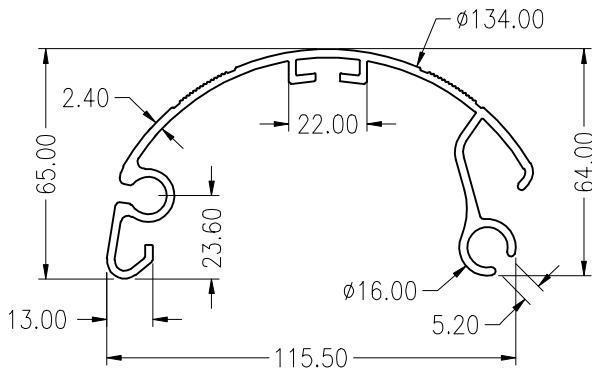
18390

1.503 Kg/m



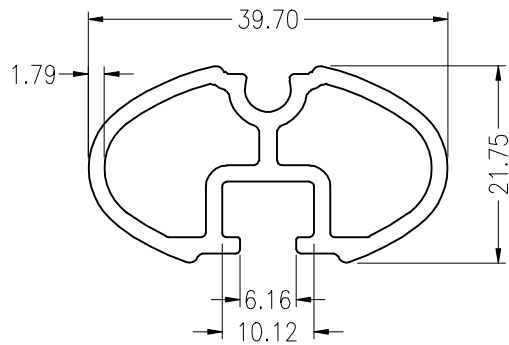
18391

1.978 Kg/m



18396

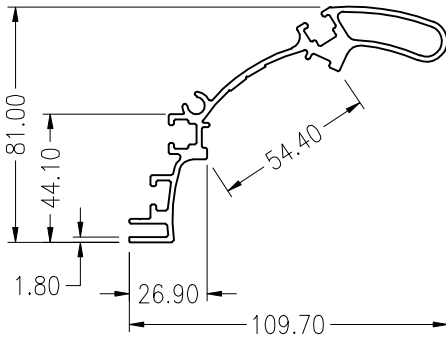
0.632 Kg/m



TRANSPORTS SECTIONS

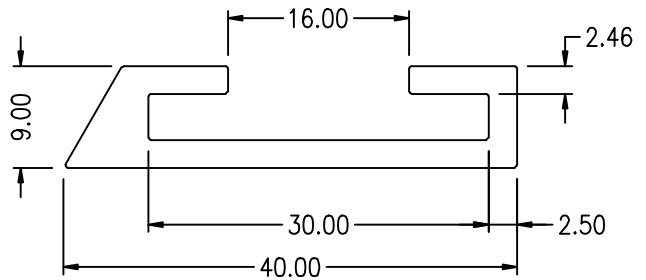
18397

1.781 Kg/m



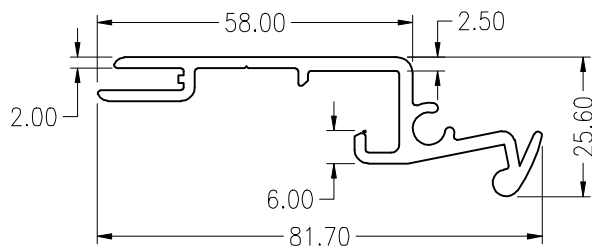
18401

0.475 Kg/m



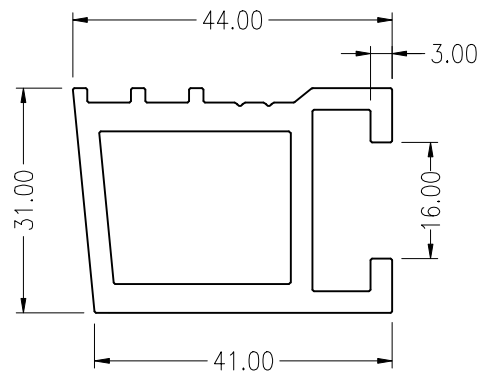
18402

0.942 Kg/m



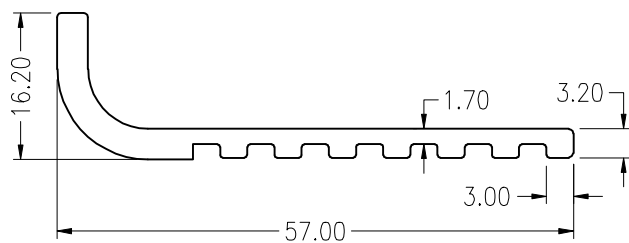
18426

1.327 Kg/m



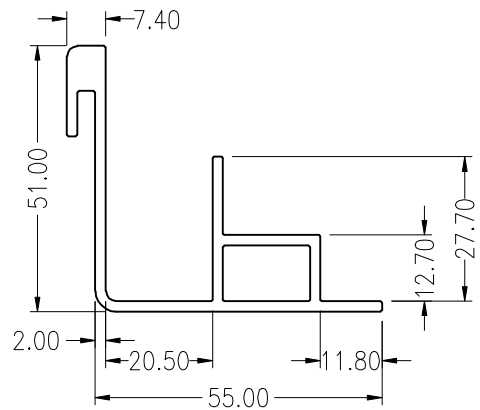
18427

0.510 Kg/m



18442

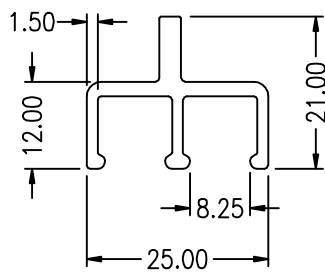
1.055 Kg/m



TRANSPORTS SECTIONS

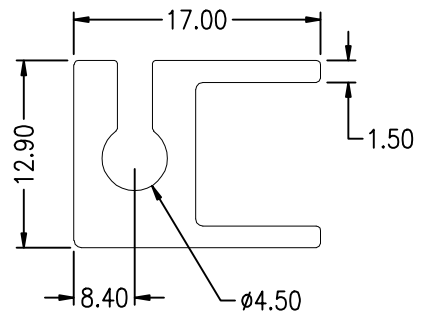
18477

0.362 Kg/m



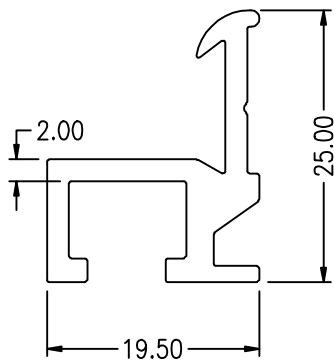
18482

0.310 Kg/m



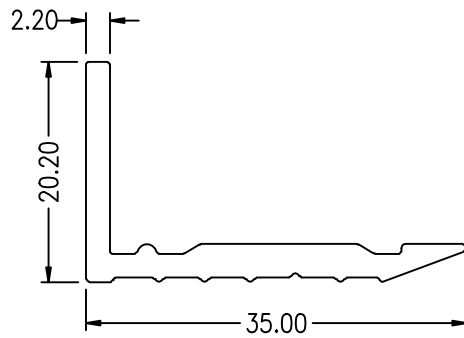
18487

0.395 Kg/m



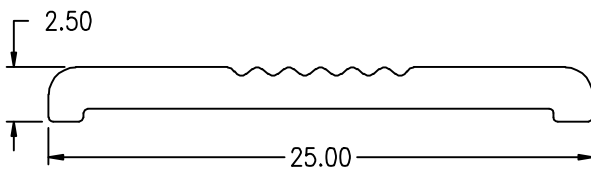
18488

0.372 Kg/m



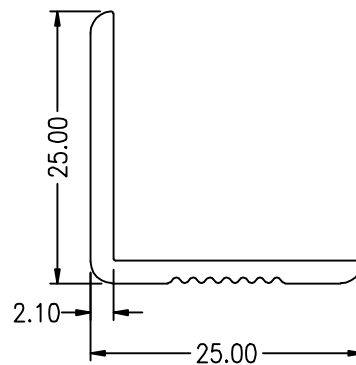
18489

0.147 Kg/m



18490

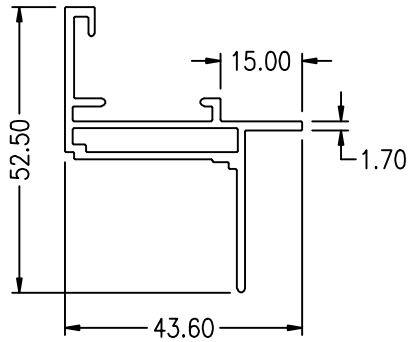
0.276 Kg/m



TRANSPORTS SECTIONS

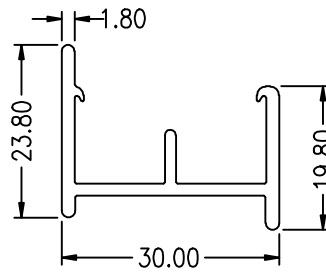
18491

0.618 Kg/m



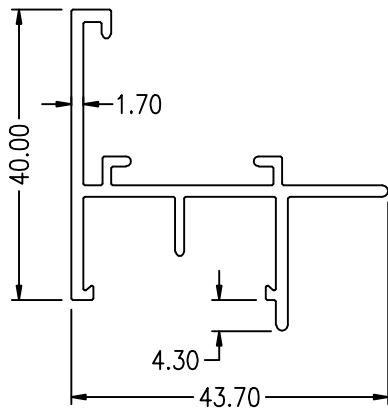
18492

0.403 Kg/m



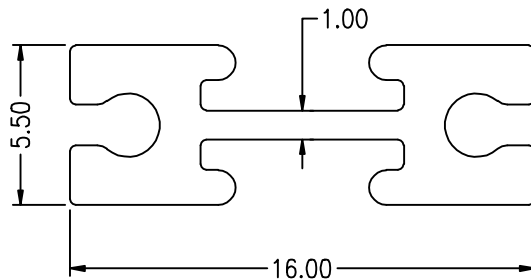
18493

0.583 Kg/m



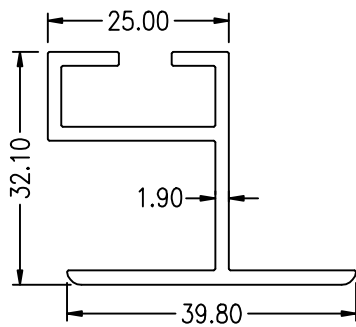
18494

0.158 Kg/m



18495

0.627 Kg/m



TRANSPORTS SECTIONS

<p>18499 1.058 Kg/m</p>	<p>18504 0.175 Kg/m</p>
<p>18505 0.601 Kg/m</p>	<p>18506 0.191 Kg/m</p>
<p>18509 0.138 Kg/m</p>	<p>18512 1.380 Kg/m</p>

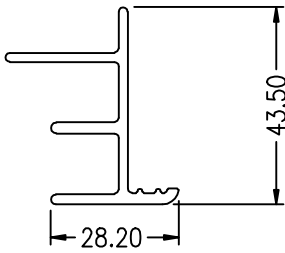
TRANSPORTS SECTIONS

<p>18530 0.640 Kg/m</p>	<p>18538 0.722 Kg/m</p>
<p>18539 0.760 Kg/m</p>	<p>18540 0.431 Kg/m</p>
<p>18549 0.458 Kg/m</p>	<p>18556 0.356 Kg/m</p>

TRANSPORTS SECTIONS

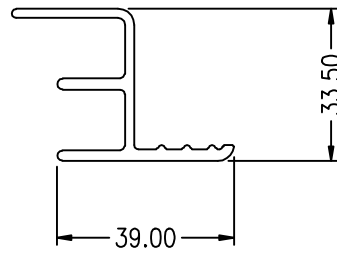
18557

0.643 Kg/m



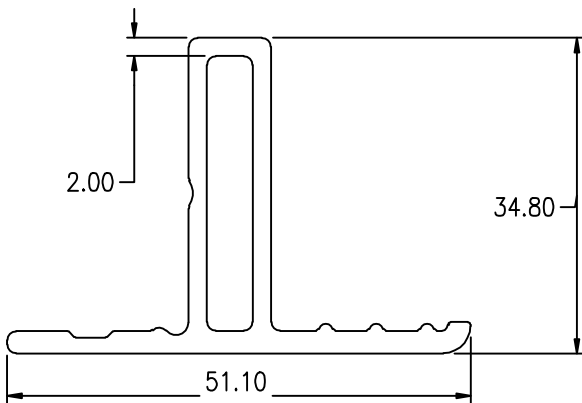
18558

0.662 Kg/m



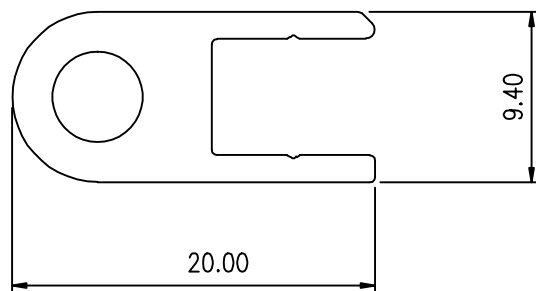
18559

0.715 Kg/m



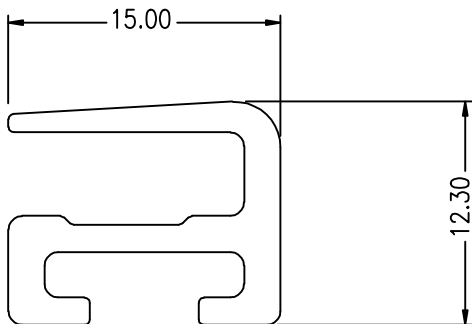
18560

0.292 Kg/m



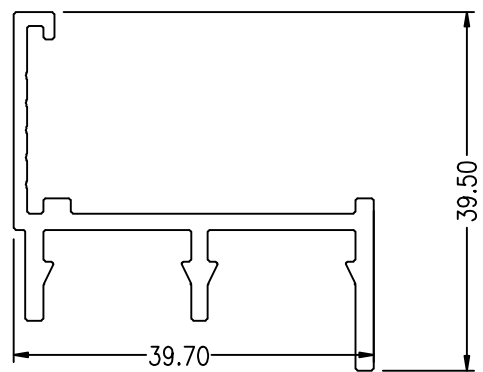
18561

0.235 Kg/m

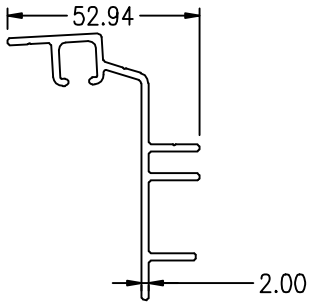
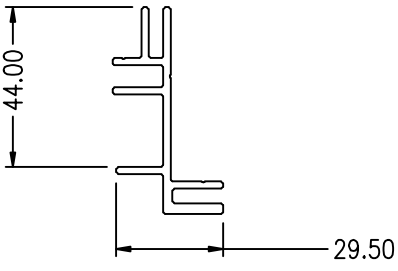
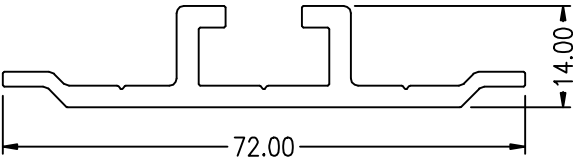
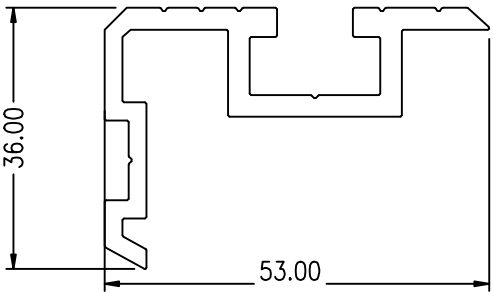
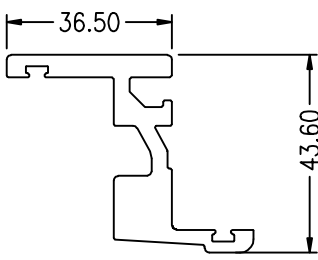
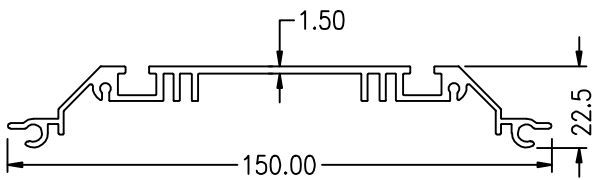


18562

0.544 Kg/m



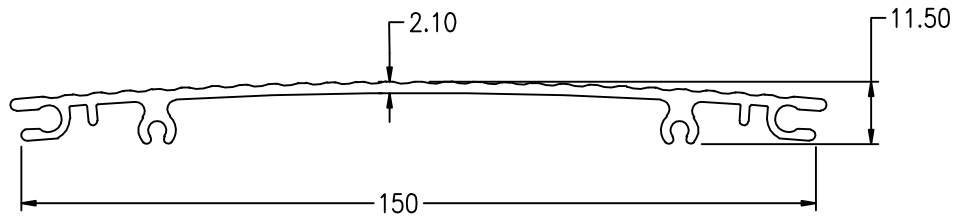
TRANSPORTS SECTIONS

<p>18567 0.916 Kg/m</p> 	<p>18568 0.825 Kg/m</p> 
<p>18570 0.795 Kg/m</p> 	<p>18571 0.974 Kg/m</p> 
<p>18585 1.500 Kg/m</p> 	<p>18586 1.364 Kg/m</p> 

TRANSPORTS SECTIONS

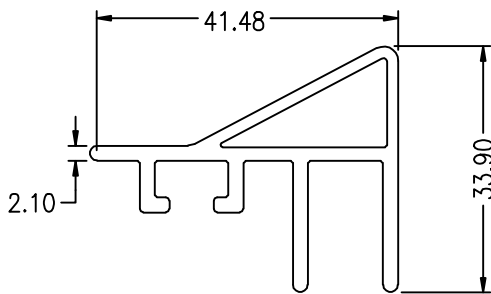
18587

1.114 Kg/m



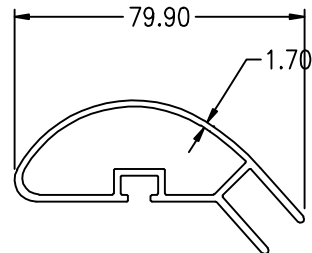
18592

0.730 Kg/m



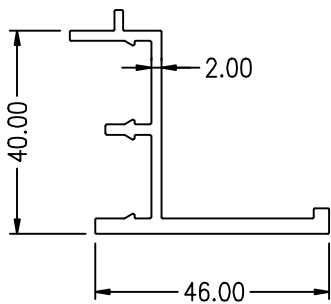
18593

1.075 Kg/m



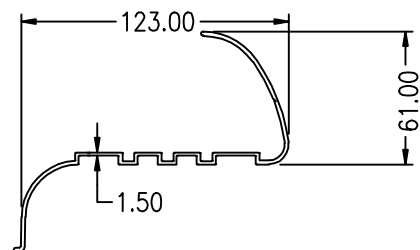
18629

0.774 Kg/m

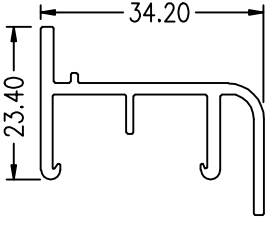
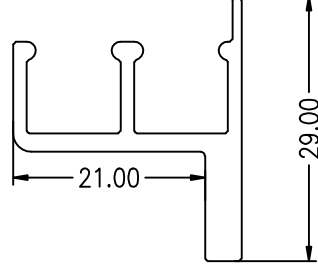
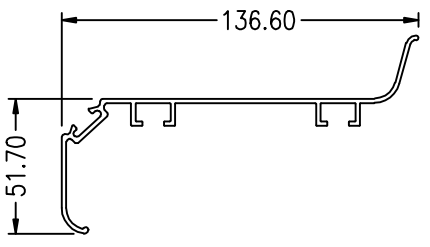
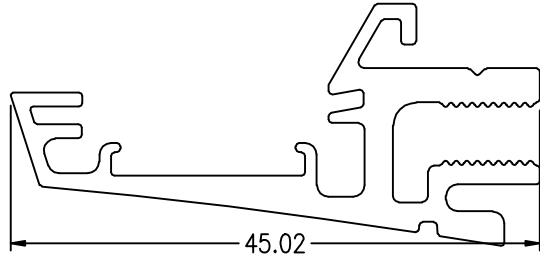
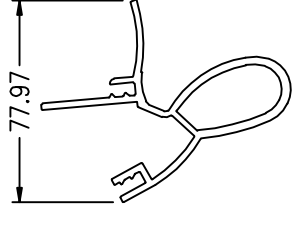
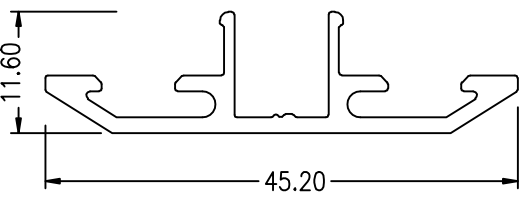


18588

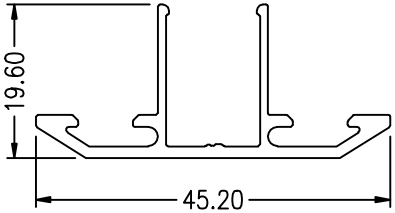
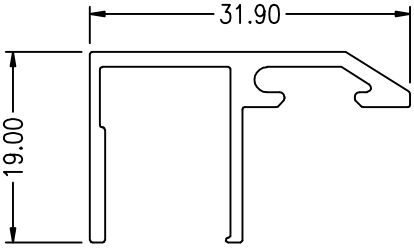
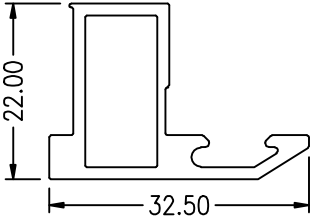
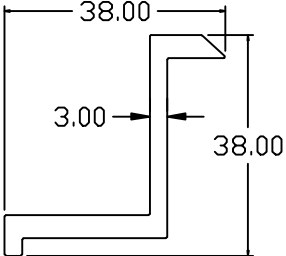
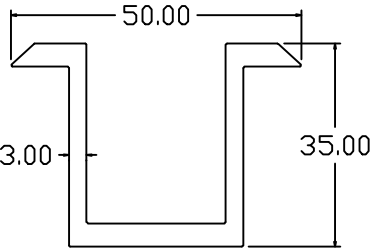
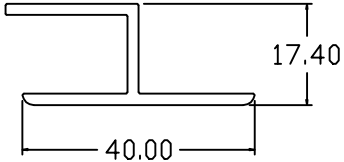
1.206 Kg/m



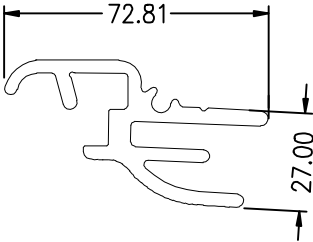
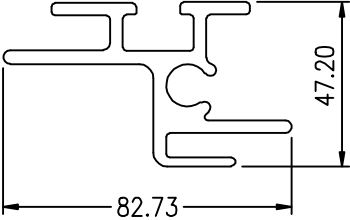
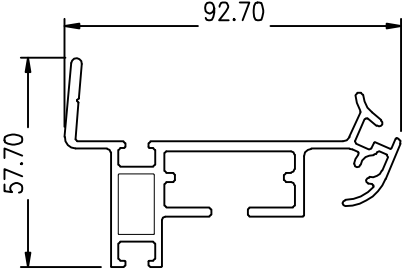
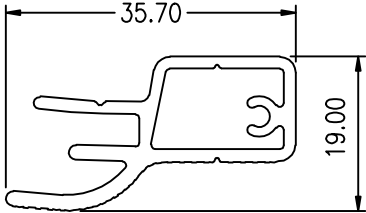
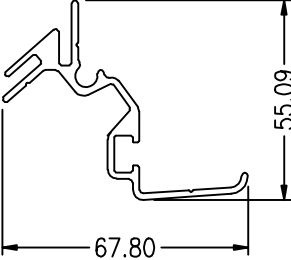
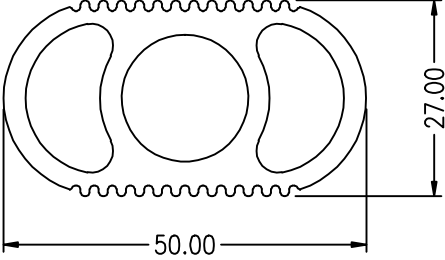
TRANSPORTS SECTIONS

<p>18659 0.456Kg/m</p> 	<p>18673 0.433Kg/m</p> 
<p>18697 1.208Kg/m</p> 	<p>18698 0.621Kg/m</p> 
<p>18712 1.957Kg/m</p> 	<p>18765 0.352Kg/m</p> 

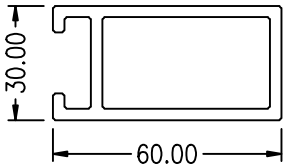
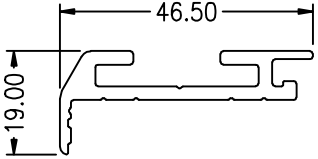
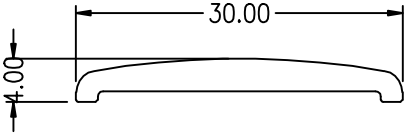
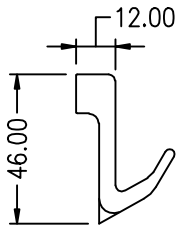
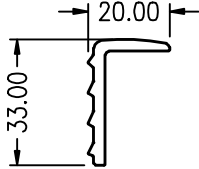
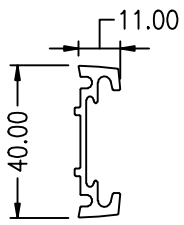
TRANSPORTS SECTIONS

<p>18766 0.373Kg/m</p> 	<p>18778 0.316Kg/m</p> 
<p>18779 0.439Kg/m</p> 	<p>18809 0.686Kg/m</p> 
<p>18810 1.023Kg/m</p> 	<p>18831 0.418Kg/m</p> 

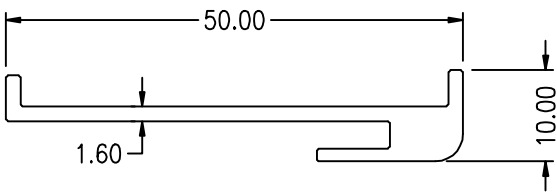
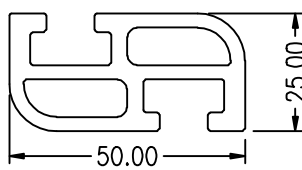
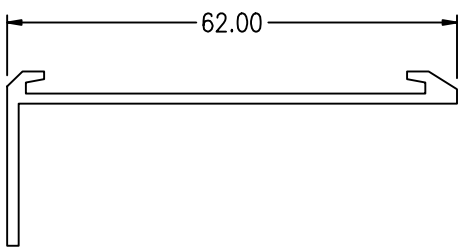
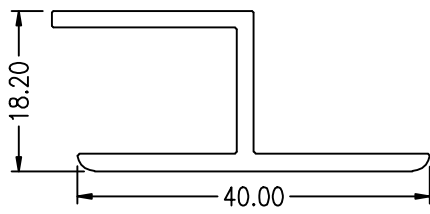
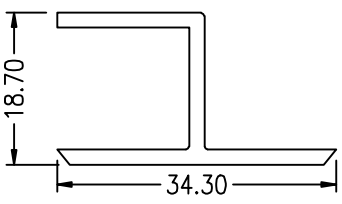
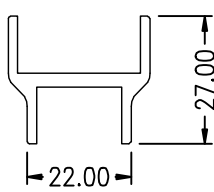
TRANSPORTS SECTIONS

<p>18838 0.497Kg/m</p> 	<p>18839 0.583Kg/m</p> 
<p>18840 1.836Kg/m</p> 	<p>18841 0.472Kg/m</p> 
<p>18842 0.937Kg/m</p> 	<p>18853 1.565Kg/m</p> 

TRANSPORTS SECTIONS

<p>18964 1.445Kg/m</p> 	<p>18965 0.597Kg/m</p> 
<p>18966 0.232Kg/m</p> 	<p>18967 1.087Kg/m</p> 
<p>18968 0.437Kg/m</p> 	<p>18969 0.414Kg/m</p> 

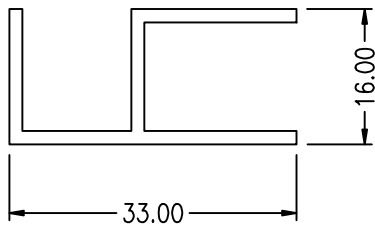
TRANSPORTS SECTIONS

<p>20033 0.388Kg/m</p> 	<p>20057 1.524 Kg/m</p> 
<p>20070 0.394Kg/m</p> 	<p>20071 0.422 Kg/m</p> 
<p>20135 0.349Kg/m</p> 	<p>20144 0.532Kg/m</p> 

TRANSPORTS SECTIONS

20178

0.388Kg/m



20188

0.226 Kg/m

