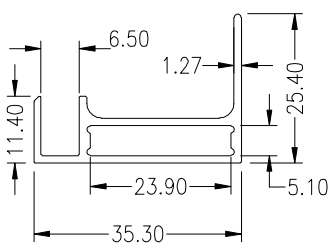
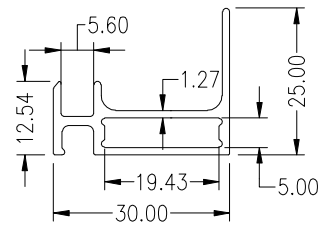
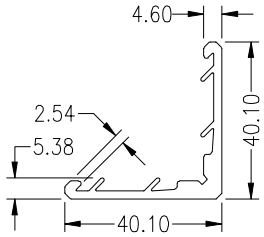
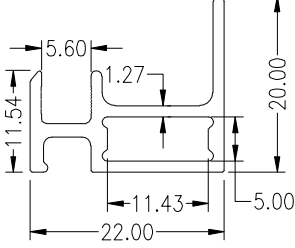
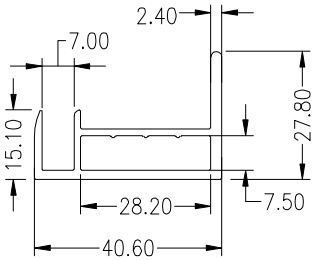
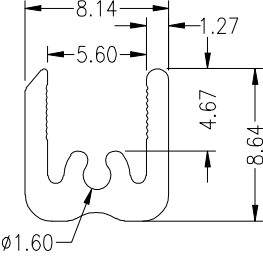
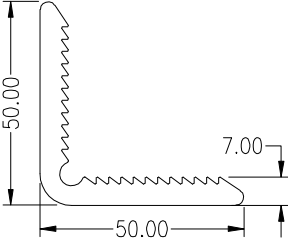
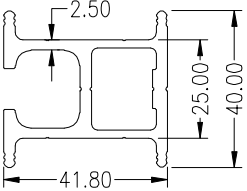
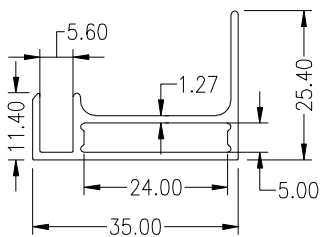
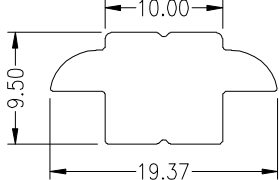


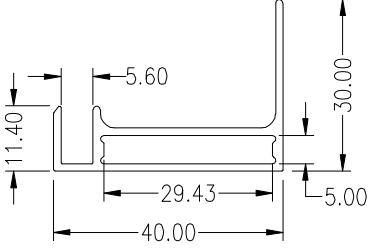
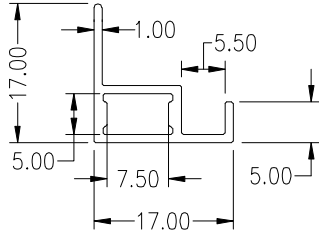
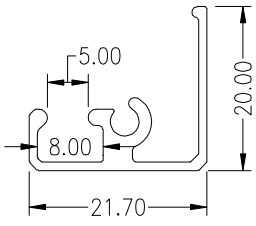
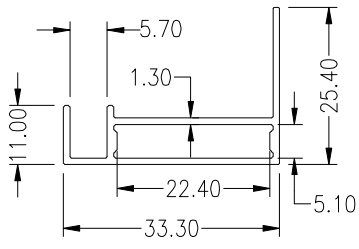
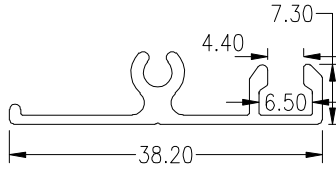
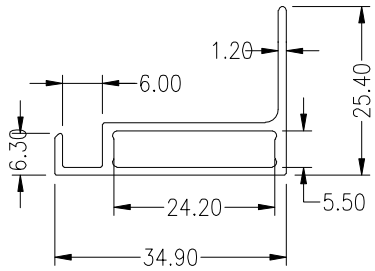
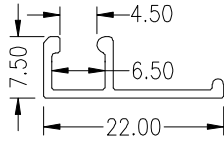
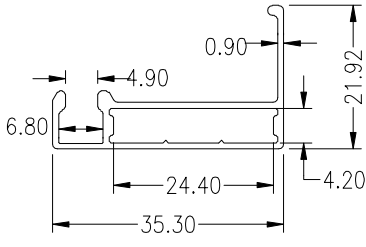
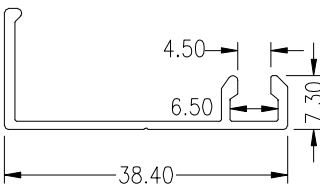
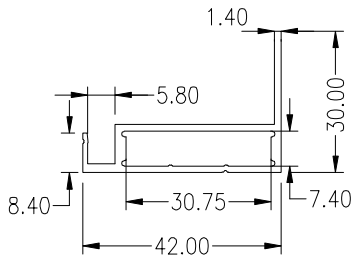


SOLAR PROFILE 2017

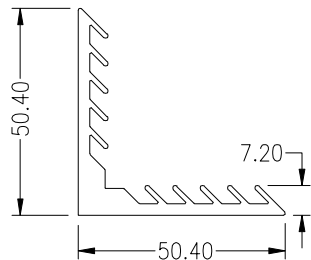
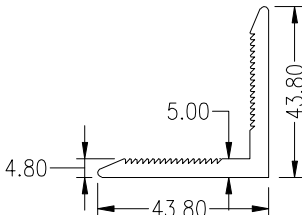
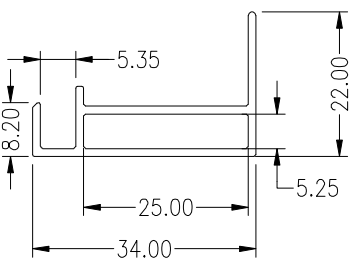
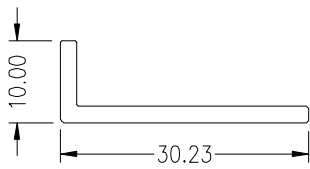
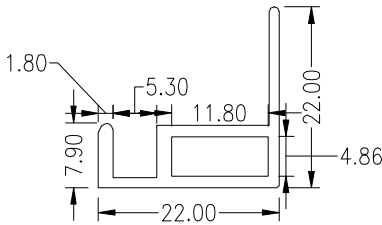
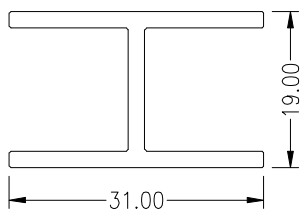
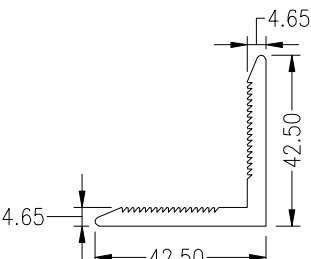
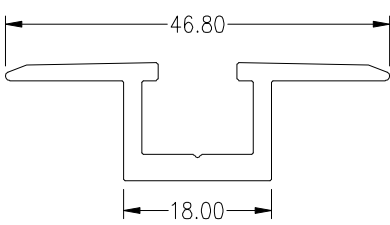
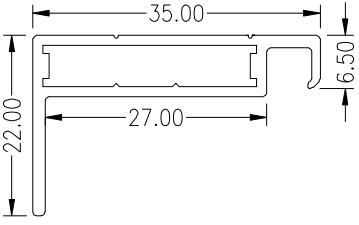
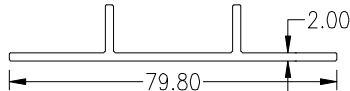
SOLAR PROFILES

SEC. No.	SECTION PROFILE	SEC. No.	SECTION PROFILE
18004		18511	
WEIGHT		WEIGHT	
↓		↓	
0.400 KG/MT		0.376 KG/MT	
18005		18519	
WEIGHT		WEIGHT	
↓		↓	
0.665 KG/MT		0.291 KG/MT	
18030		18520	
WEIGHT		WEIGHT	
↓		↓	
0.610 KG/MT		0.114 KG/MT	
18031		18521	
WEIGHT		WEIGHT	
↓		↓	
0.4576 KG/MT		1.220 KG/MT	
18510		18522	
WEIGHT		WEIGHT	
↓		↓	
0.395 KG/MT		0.375 KG/MT	

SOLAR PROFILES

SEC. No.	SECTION PROFILE	SEC. No.	SECTION PROFILE
18733		18919	
WEIGHT		WEIGHT	
↓ 0.444 KG/MT		↓ 0.170 KG/MT	
18897		18920	
WEIGHT		WEIGHT	
↓ 0.231 KG/MT		↓ 0.288 KG/MT	
18898		18987	
WEIGHT		WEIGHT	
↓ 0.262 KG/MT		↓ 0.347 KG/MT	
18899		18993	
WEIGHT		WEIGHT	
↓ 0.128 KG/MT		↓ 0.294 KG/MT	
18900		20042	
WEIGHT		WEIGHT	
↓ 0.246 KG/MT		↓ 0.491 KG/MT	

SOLAR PROFILES

SEC. No.	SECTION PROFILE	SEC. No.	SECTION PROFILE
20043		20159	
WEIGHT		WEIGHT	
↓ 1.105 KG/MT		↓ 0.795 KG/MT	
20064		17107	
WEIGHT		WEIGHT	
↓ 0.311 KG/MT		↓ 0.210 KG/MT	
20100		14032	
WEIGHT		WEIGHT	
↓ 0.273 KG/MT		↓ 0.425 KG/MT	
20099		14052	
WEIGHT		WEIGHT	
↓ 0.913 KG/MT		↓ 0.437 KG/MT	
20143		17503	
WEIGHT		WEIGHT	
↓ 0.356 KG/MT		↓ 0.557 KG/MT	