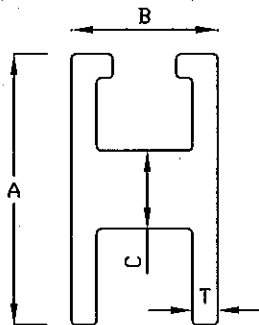


# EXTRUSION

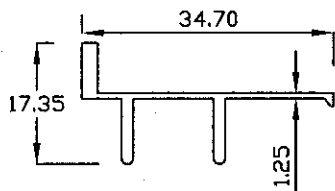
# VALCO

## TRANSPORT

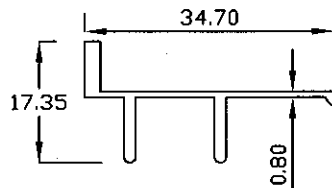


S.L. NO.	Section No.	A	B	C	T	Weight Kg/m
1	14001	23.20	11.50	4.30	1.00	0.225
2	14002	23.50	12.00	4.55	1.20	0.250
3	14003	23.50	12.20	4.75	1.35	0.310
4	14004	23.80	12.20	5.00	1.50	0.455
5	14005	24.20	12.60	7.00	2.15	0.575

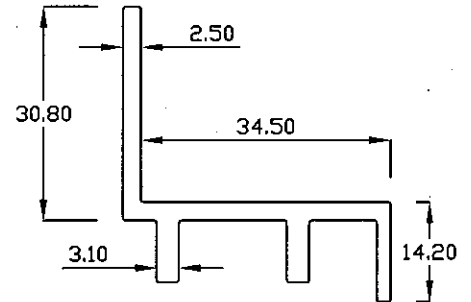
14015 0.225 Kg/m



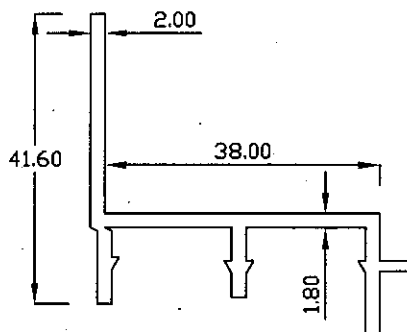
14016 0.177 Kg/m



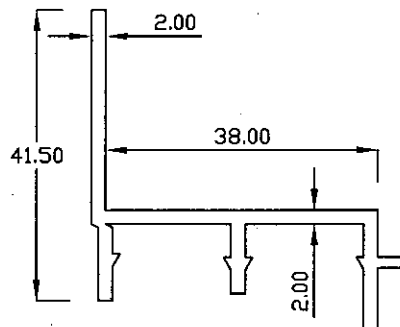
14013 0.602 Kg/m



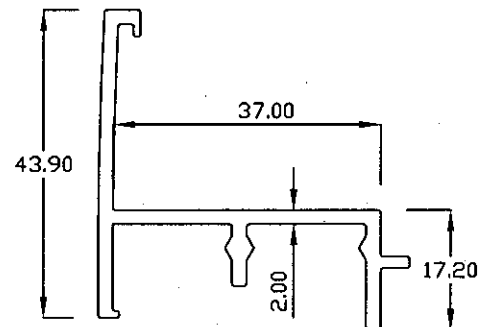
14024 0.527 Kg/m



14025 0.642 Kg/m



14027 0.610 Kg/m

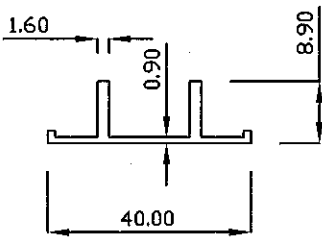


# EXTRUSION

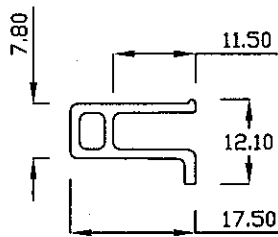
# VALCO

## TRANSPORT

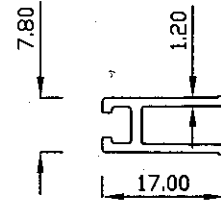
14017 0.147 Kg/m



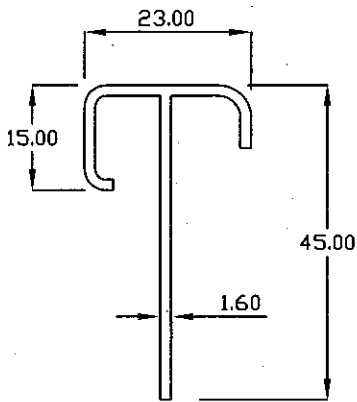
14022 0.155 Kg/m



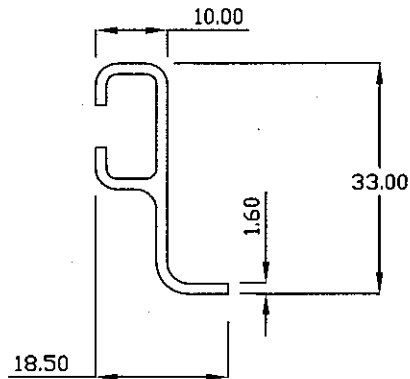
14023 0.128 Kg/m



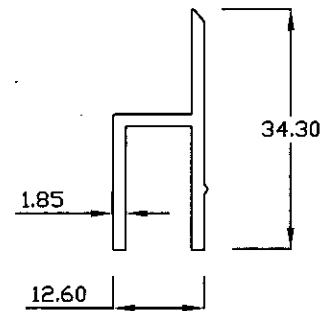
14020 0.510 Kg/m



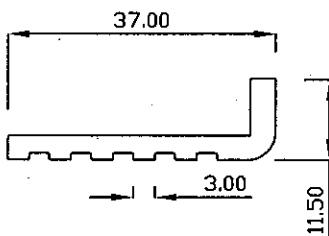
14021 0.411 Kg/m



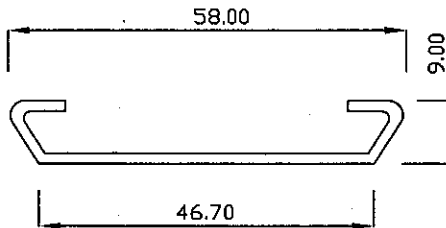
14030 0.300 Kg/m



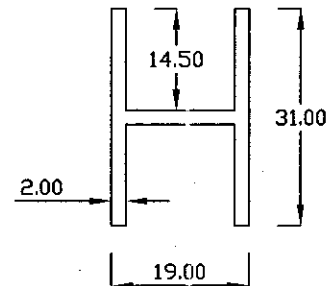
14031 0.385 Kg/m



14033 0.389 Kg/m



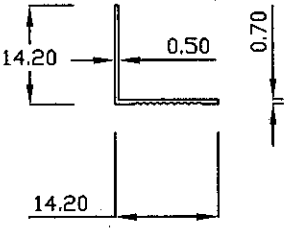
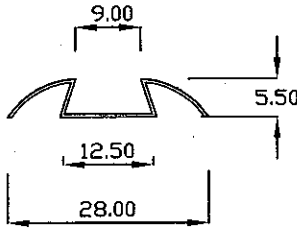
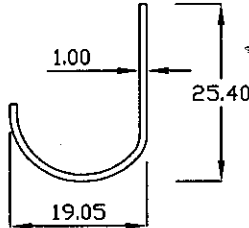
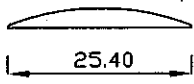
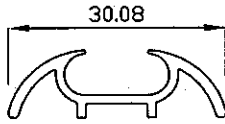
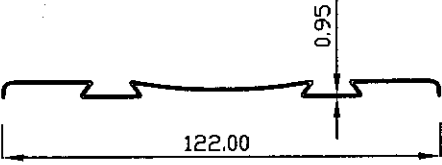
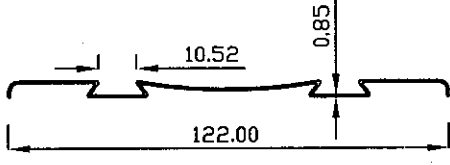
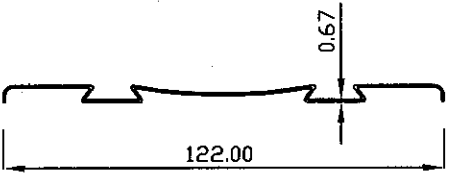
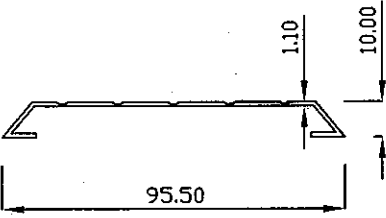
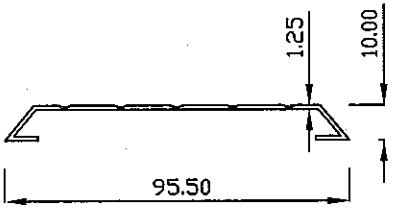
14032 0.415 Kg/m



# EXTRUSION

# VALCO

## TRANSPORT

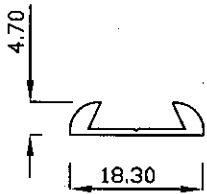
<p>14047 0.048 Kg/m</p> 	<p>14081 0.049 Kg/m</p> 	<p>14083 0.100 Kg/m</p> 	<p>11561 0.102Kg/m</p> 
<p>14082 0.275 Kg/m</p> 	<p>14085 0.315 Kg/m</p> 	<p>14086 0.270Kg/m</p> 	
<p>14087 0.242 Kg/m</p> 	<p>14088 0.342 Kg/m</p> 	<p>14089 0.365 Kg/m</p> 	

# EXTRUSION

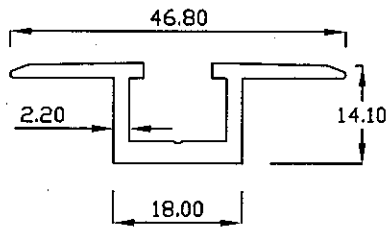
# VALCO

## TRANSPORT

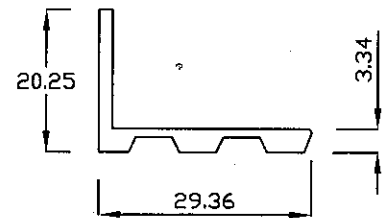
14051 0.0915 Kg/m



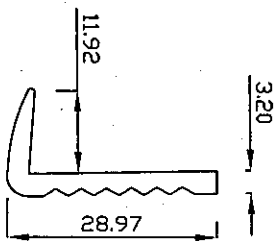
14052 0.437 Kg/m



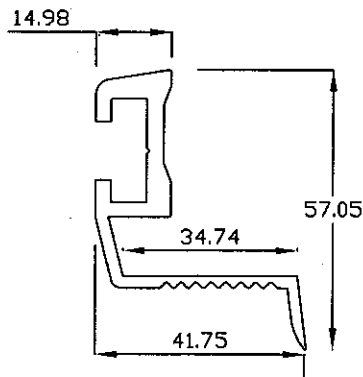
14053 0.255 Kg/m



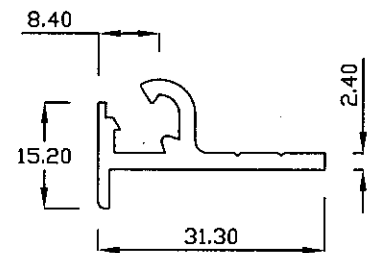
14054 0.281 Kg/m



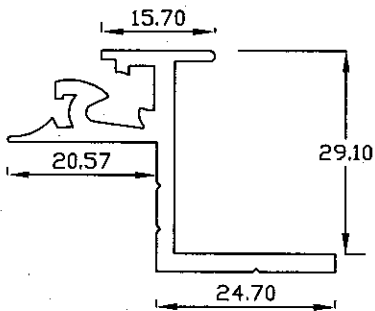
14055 0.902 Kg/m



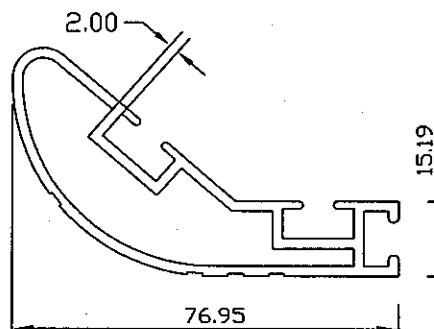
14056 2.321 Kg/m



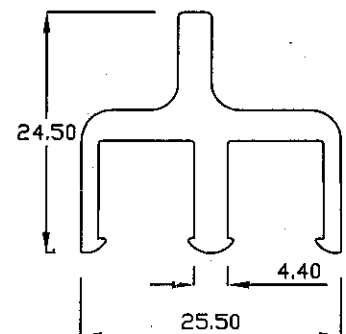
14057 0.634 Kg/m



14058 1.205 Kg/m



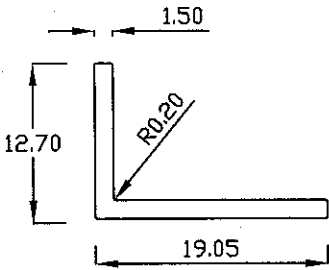
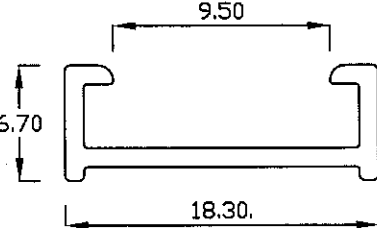
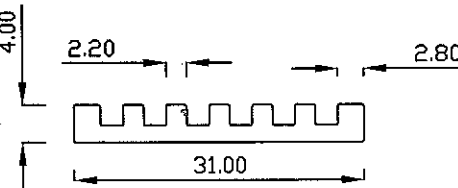
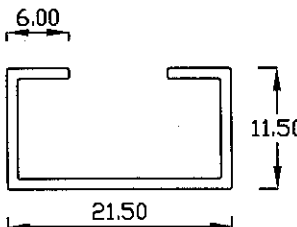
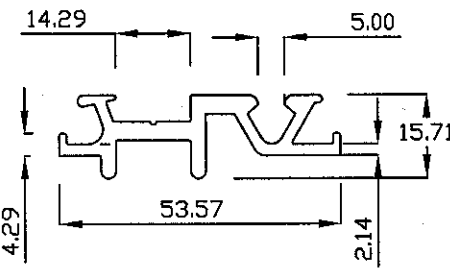
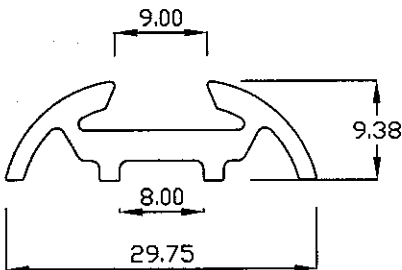
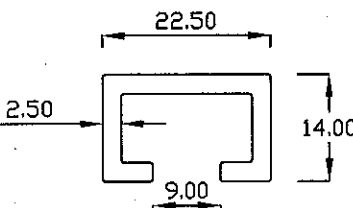
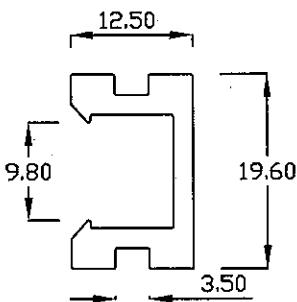
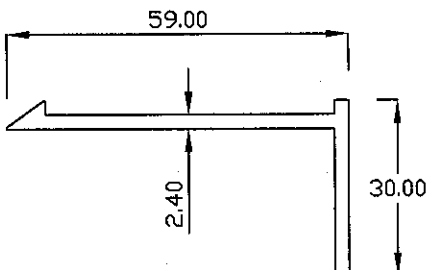
14059 0.513 Kg/m



# EXTRUSION

# VALCO

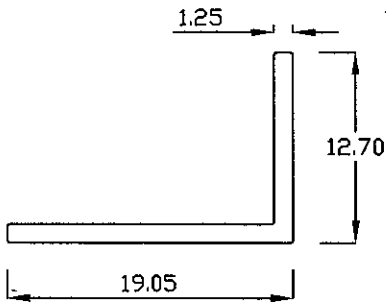
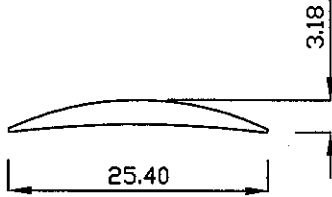
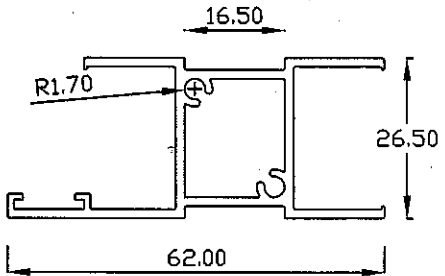
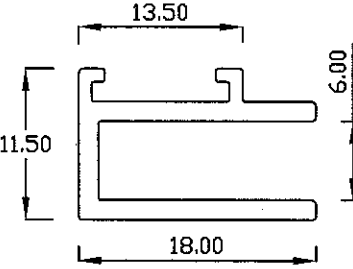
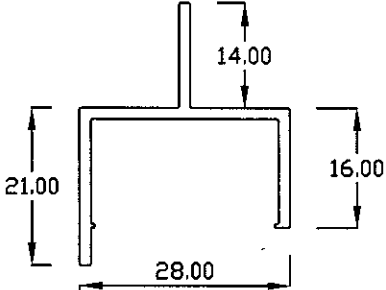
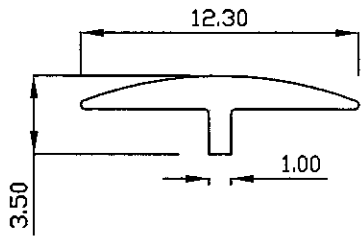
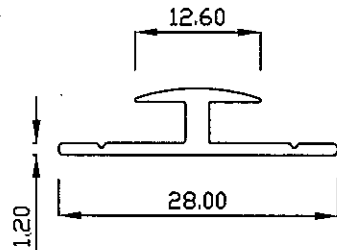
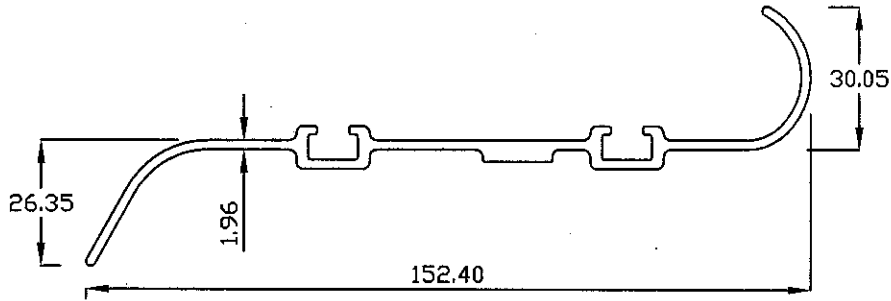
## TRANSPORTS SECTIONS

<p>14061    0.1255 Kg/m</p> 	<p>14062    0.098 Kg/m</p> 	<p>14063    0.253 Kg/m</p> 
<p>14064    0.146 Kg/m</p> 	<p>14065    0.378 Kg/m</p> 	<p>14066    0.310 Kg/m</p> 
<p>14067    0.372 Kg/m</p> 	<p>14068    0.302 Kg/m</p> 	<p>14069    0.570 Kg/m</p> 

# EXTRUSION

# VALCO

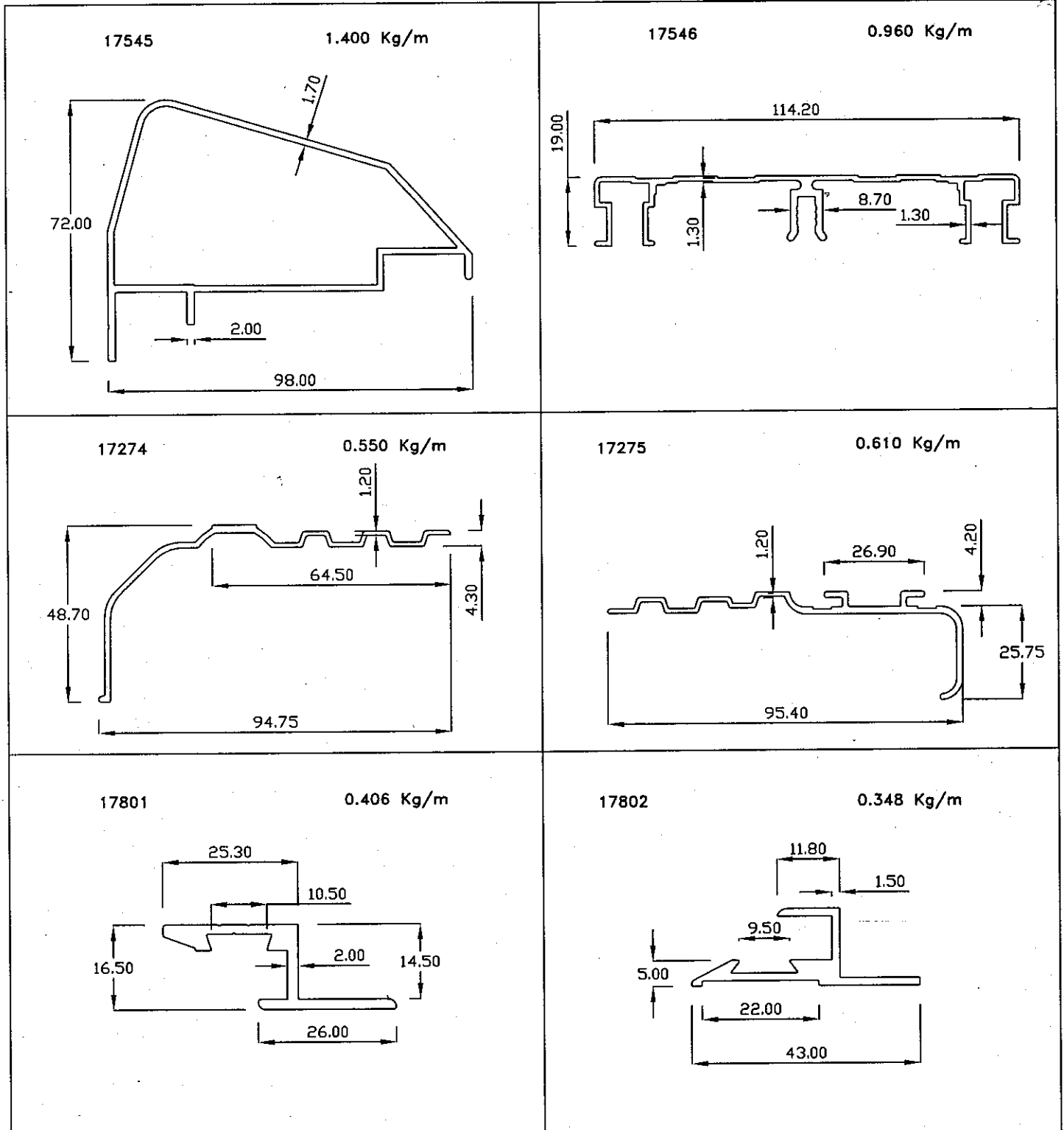
## TRANSPORTS SECTIONS

<p>14070      0.104 Kg/m</p> 	<p>14071      0.120 Kg/m</p> 	<p>14072      0.713 Kg/m</p> 
<p>14073      0.196 Kg/m</p> 	<p>14074      0.315 Kg/m</p> 	<p>14092      0.042 Kg/m</p> 
<p>14091      0.150 Kg/m</p> 	<p>14093      1.200 Kg/m</p> 	

# EXTRUSION

# VALCO

## TRANSPORTS SECTIONS



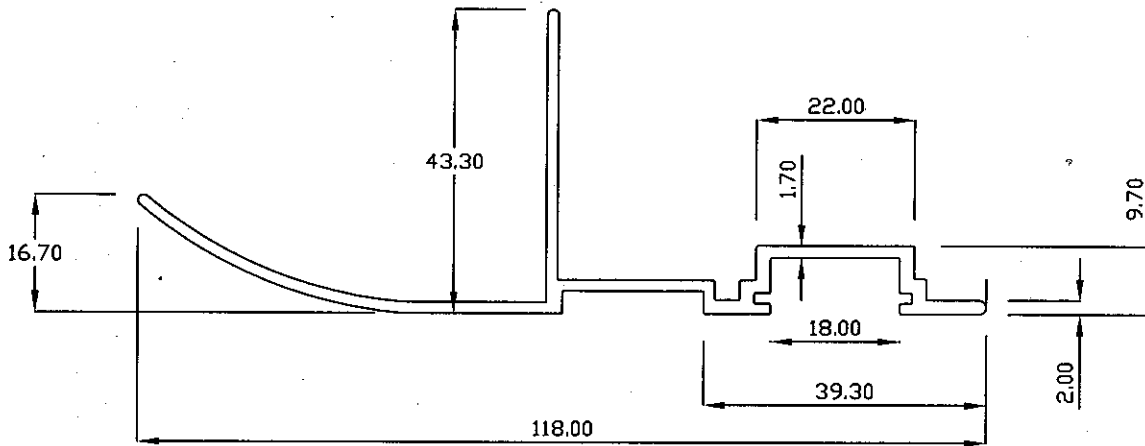
# EXTRUSION

# VALCO

## TRANSPORTS SECTIONS

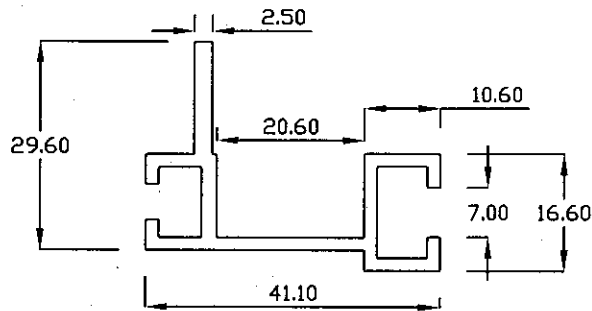
17805

0.857 Kg/m



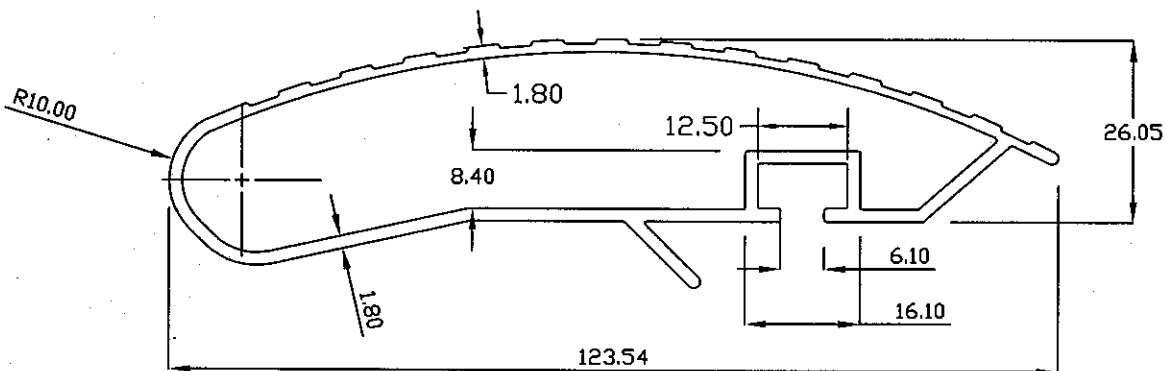
17806

0.590 Kg/m



17808

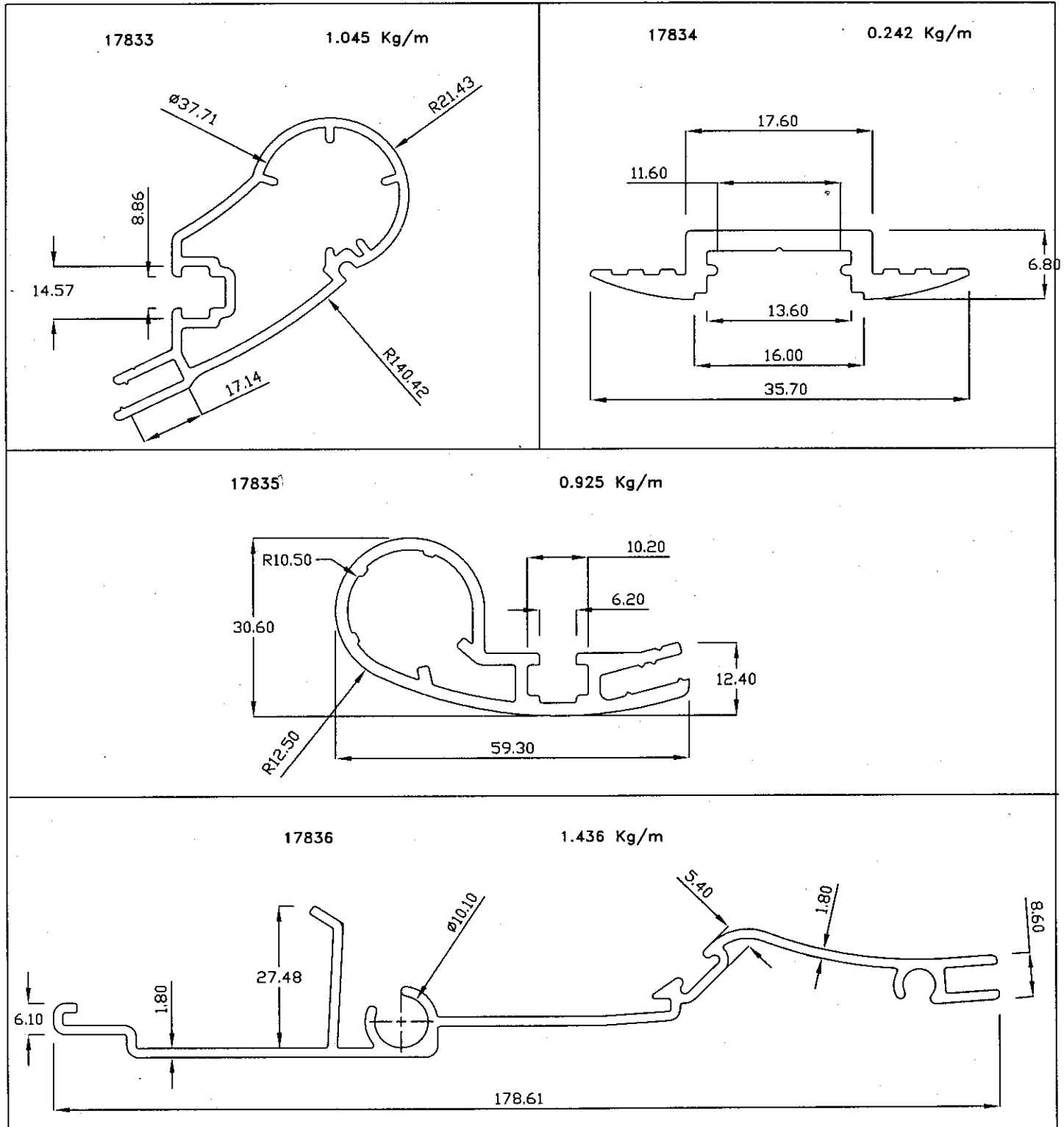
1.350 Kg/m



# EXTRUSION

# VALCO

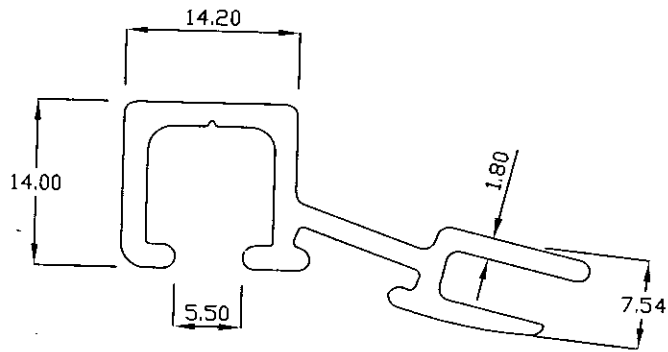
## TRANSPORTS SECTIONS



## TRANSPORTS SECTIONS

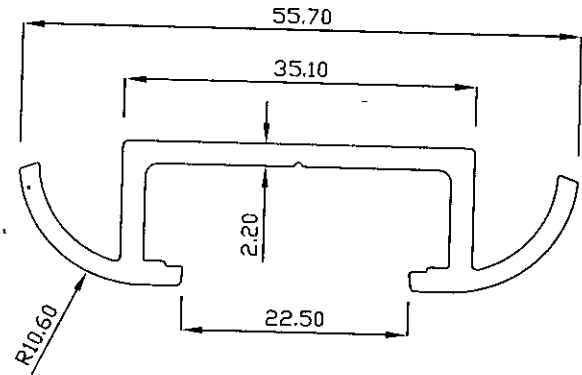
17837

0.432 Kg/m



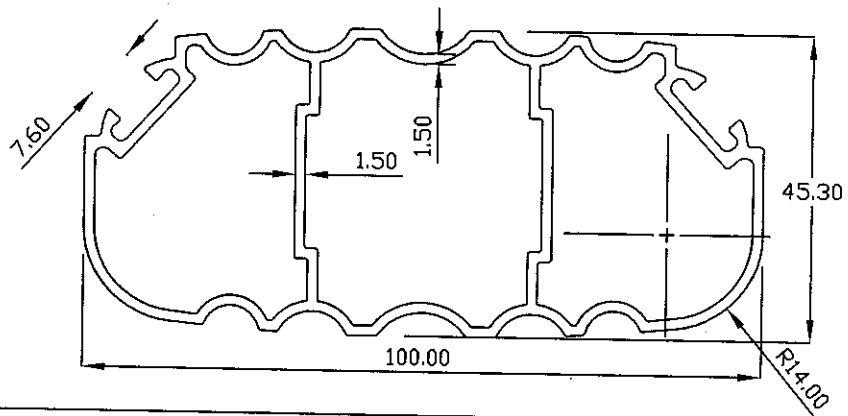
17838

0.592 Kg/m



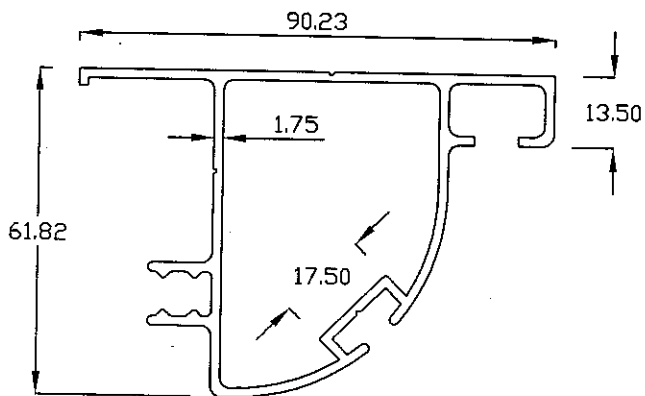
17869

1.630 Kg/m



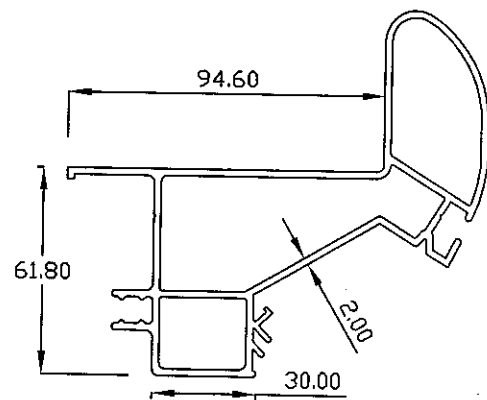
17940

1.520 Kg/m



17941

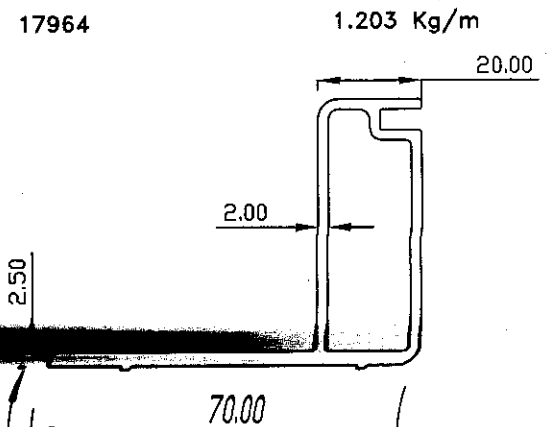
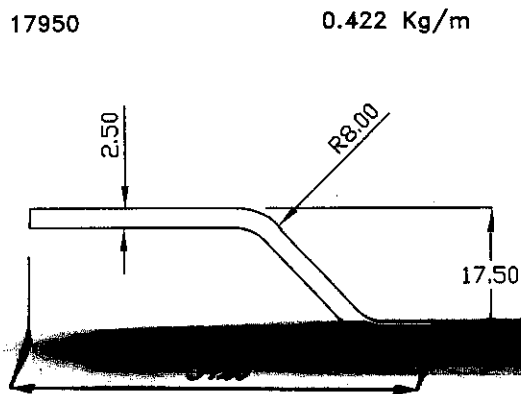
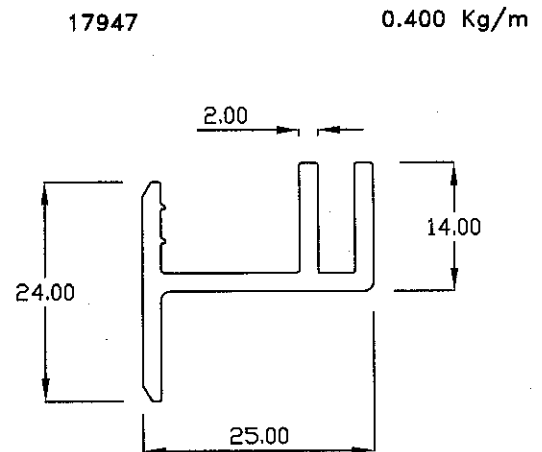
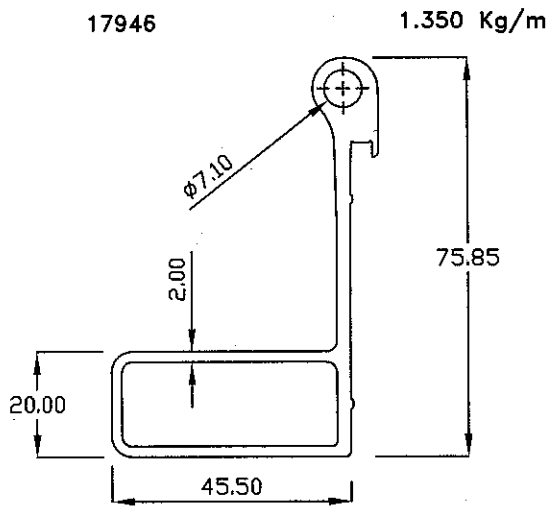
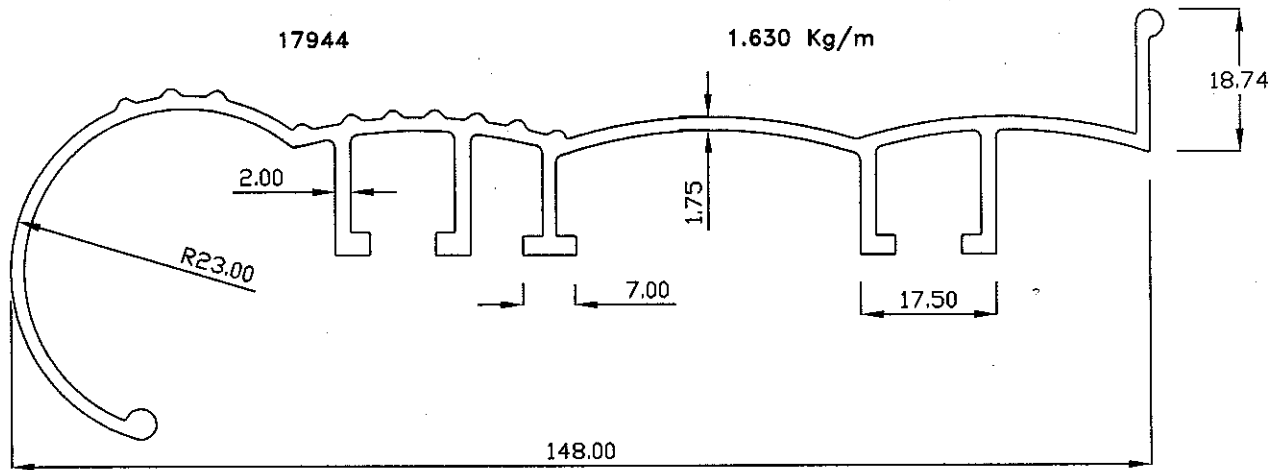
2.910 Kg/m



# EXTRUSION

# VALCO

## TRANSPORTS SECTIONS



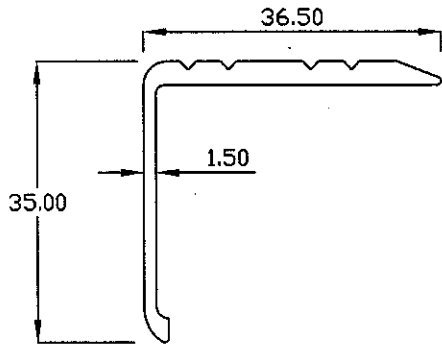
# EXTRUSION

# VALCO

## TRANSPORTS SECTIONS

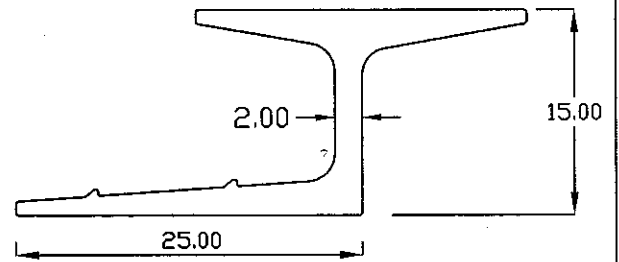
17965

0.422 Kg/m



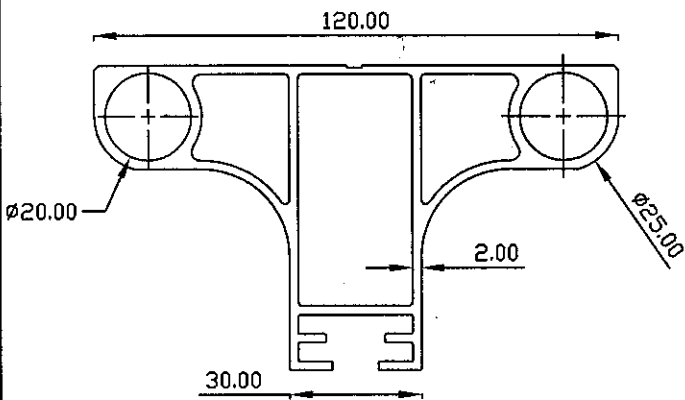
17966

0.335 Kg/m



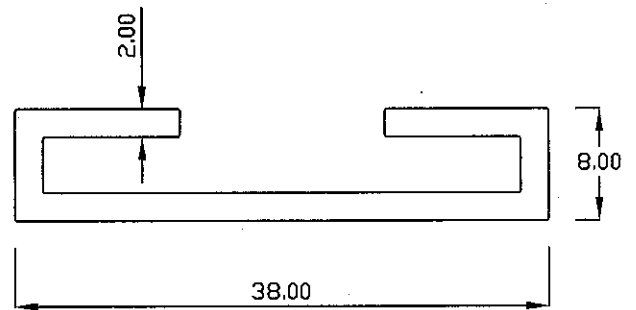
17990

3.150 Kg/m



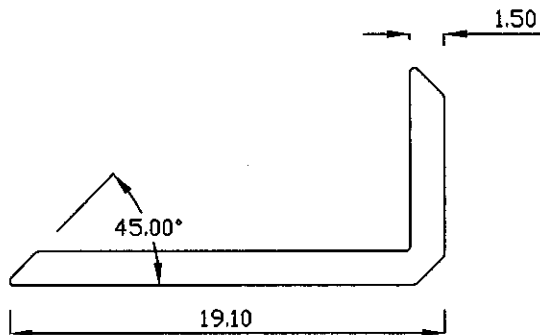
17991

0.405 Kg/m



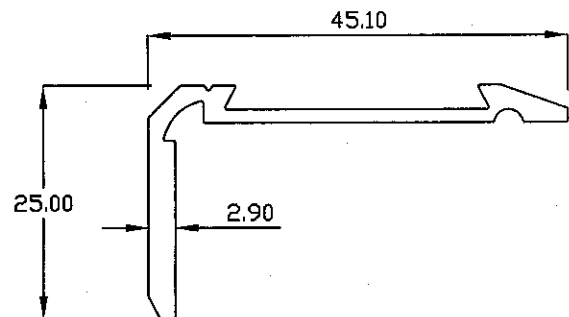
17992

0.125 Kg/m



17993

0.425 Kg/m



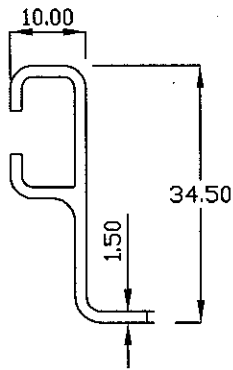
# EXTRUSION

# VALCO

## TRANSPORTS SECTIONS

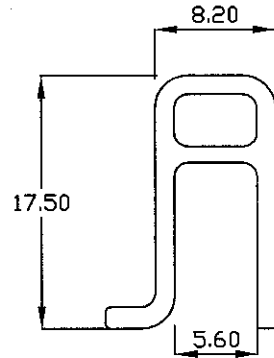
14028

0.270 Kg/m



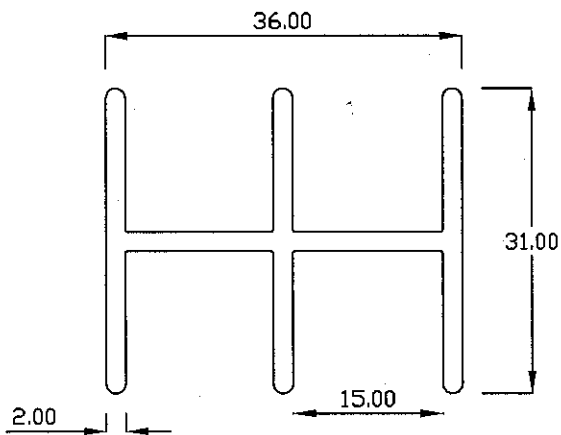
14029

0.185 Kg/m



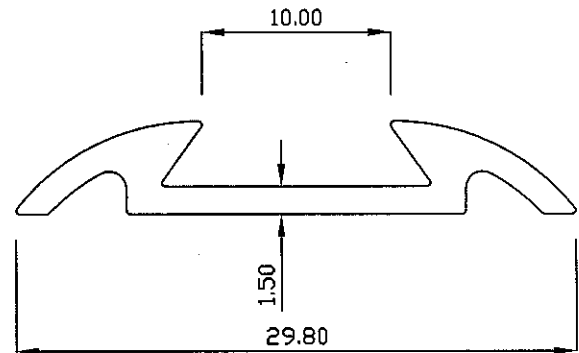
14034

0.690 Kg/m



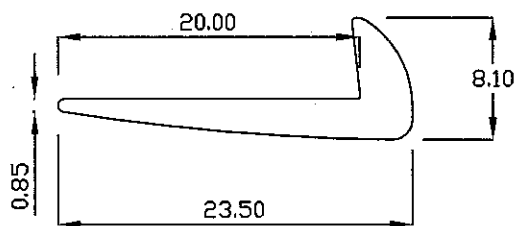
14035

0.190 Kg/m



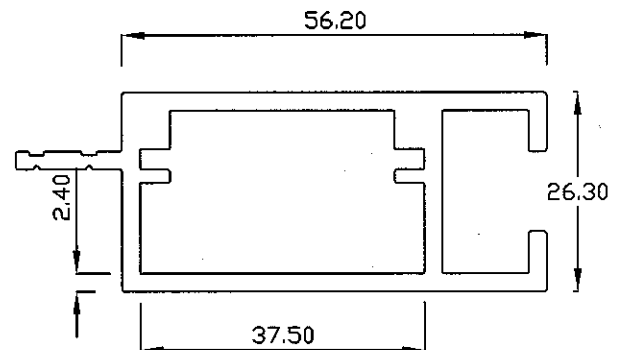
18018

0.190 Kg/m



18019

1361 Kg/m



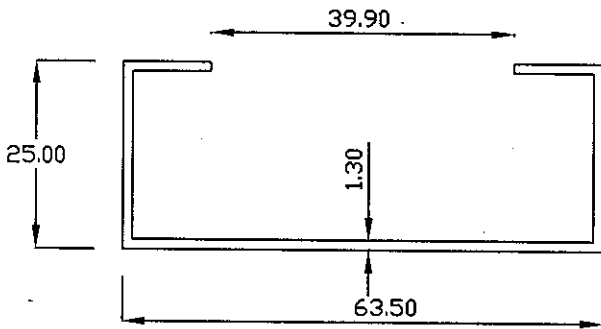
# EXTRUSION

# VALCO

## TRANSPORTS SECTIONS

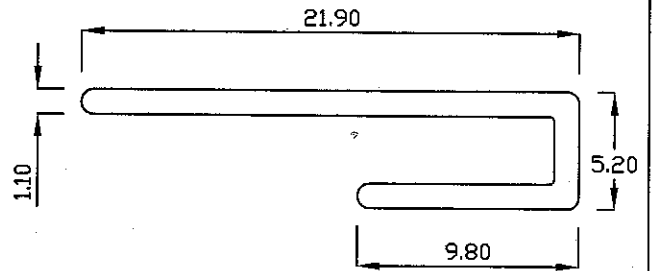
18020

0.480 Kg/m



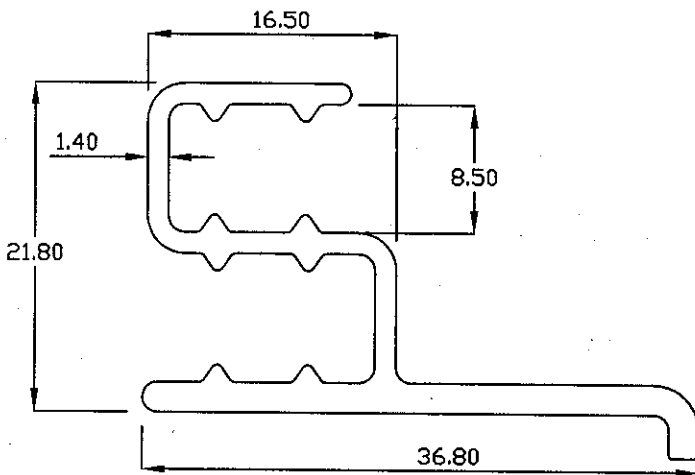
18021

0.120 Kg/m



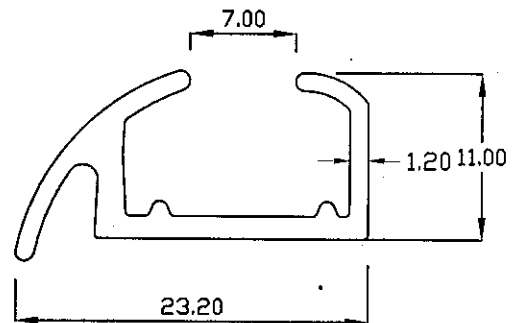
18023

0.690 Kg/m



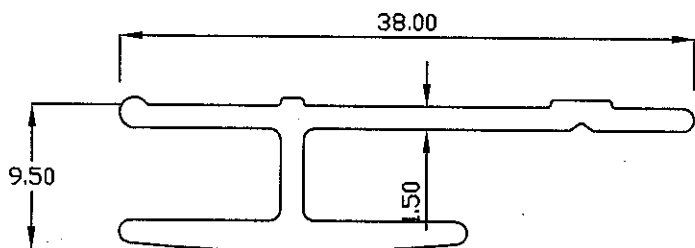
18029

0.239 Kg/m



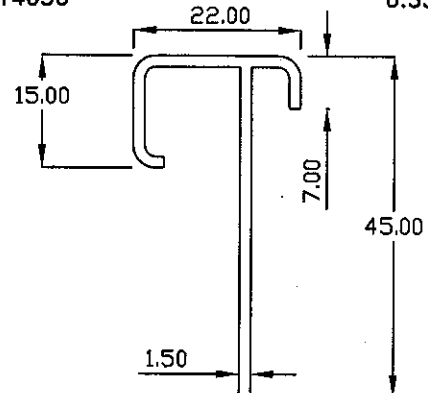
18034

0.312 Kg/m



14036

0.358 Kg/m



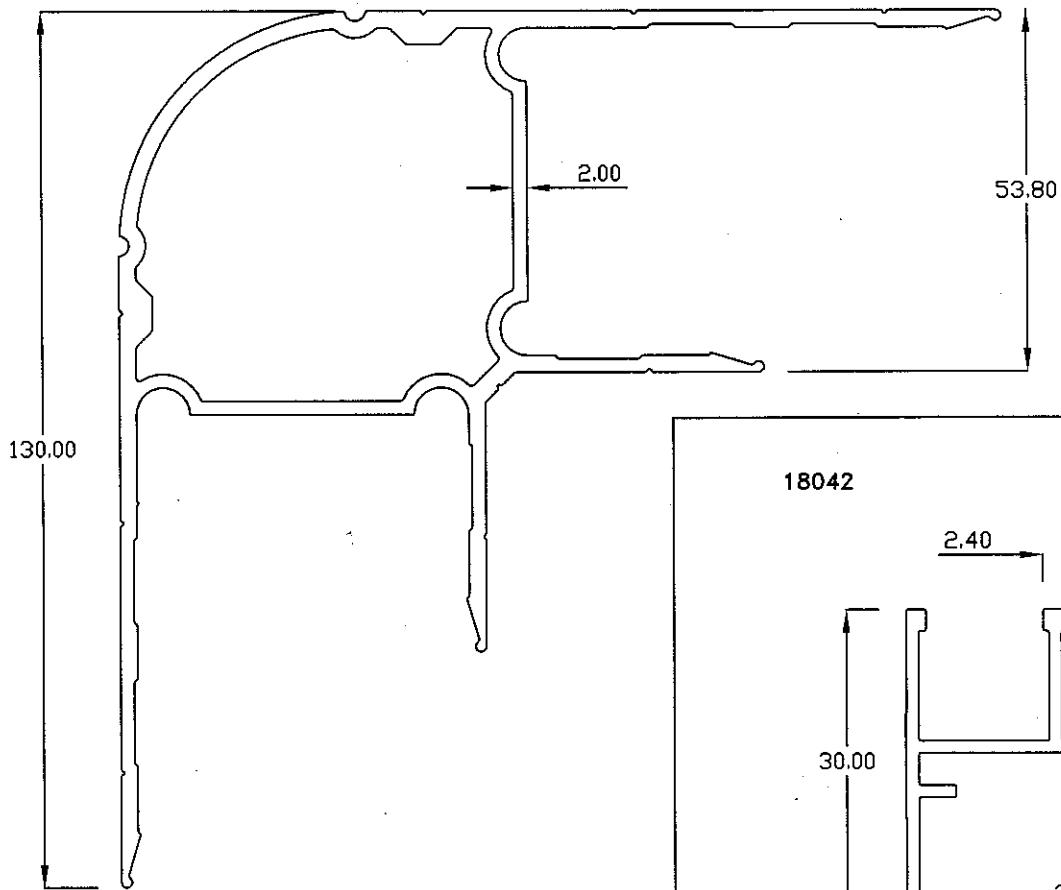
# EXTRUSION

# VALCO

## TRANSPORTS SECTIONS

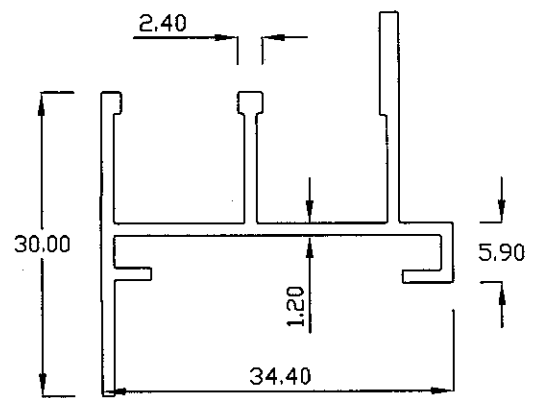
18035

2.803 Kg/m



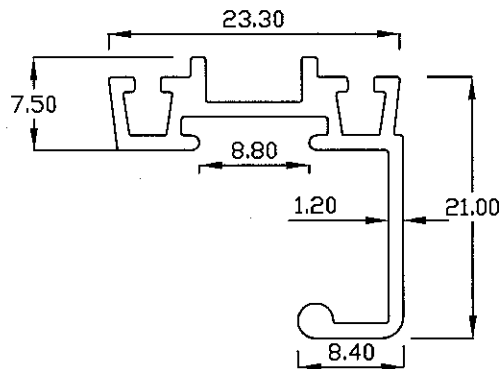
18042

0.406 Kg/m



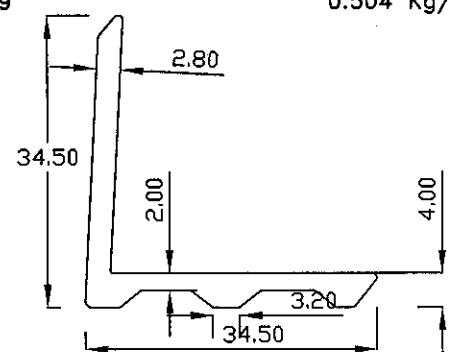
18043

0.280 Kg/m



18049

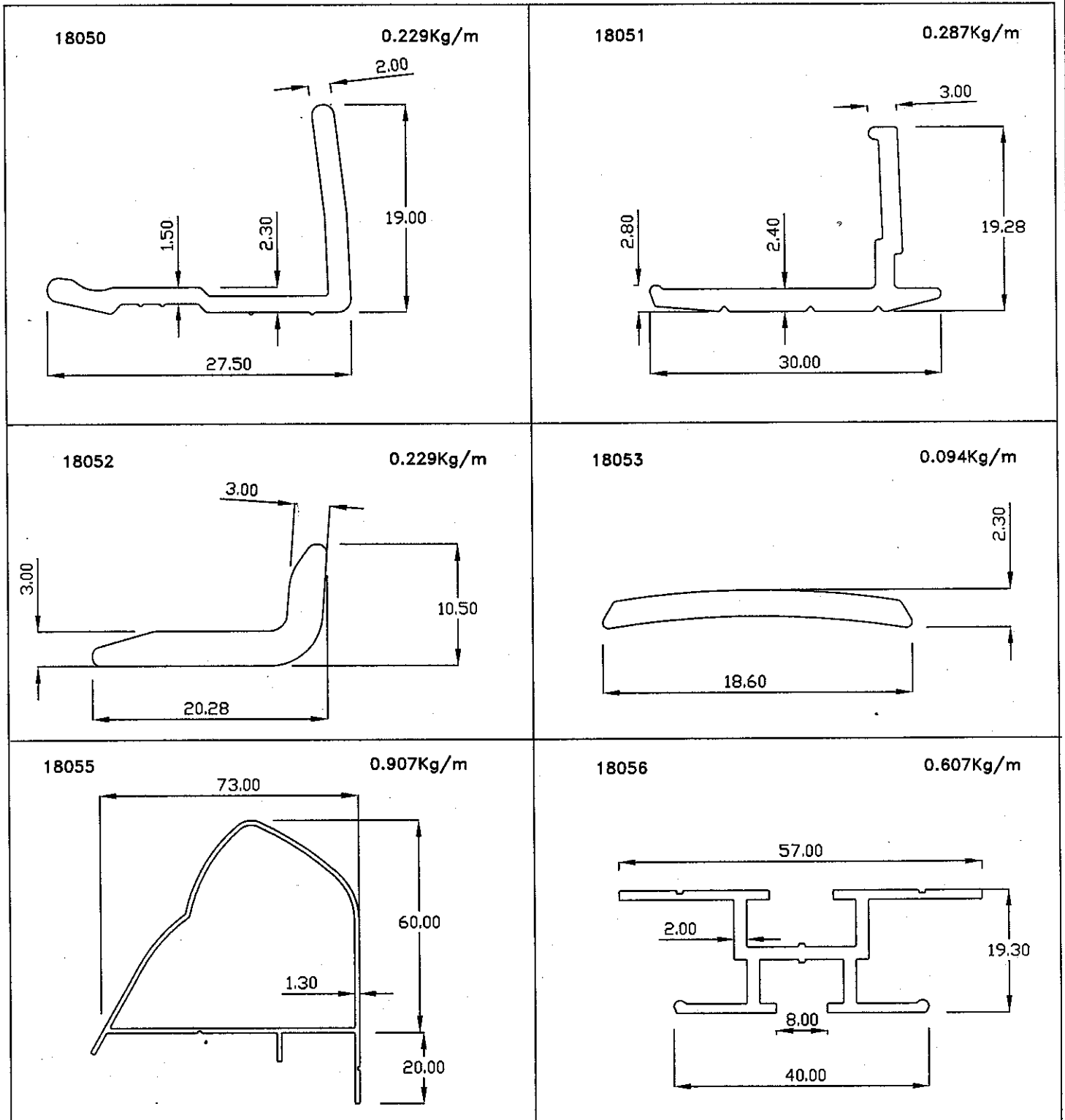
0.504 Kg/m



# EXTRUSION

# VALCO

## TRANSPORTS SECTIONS



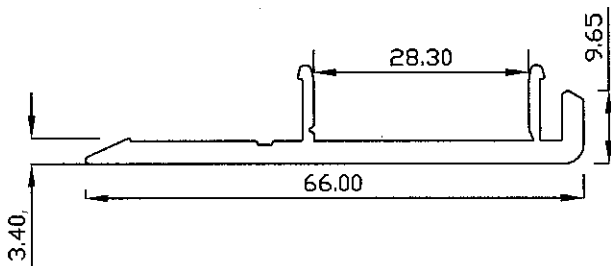
# EXTRUSION

# VALCO

## TRANSPORTS SECTIONS

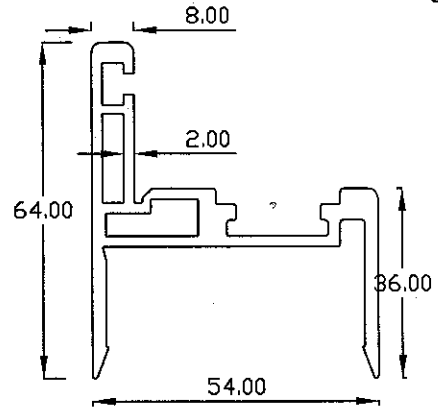
18069

0.658Kg/m



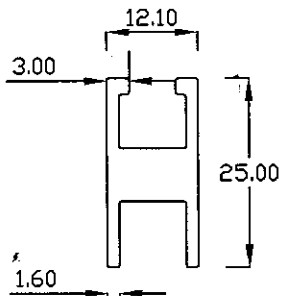
18070

1.434Kg/m



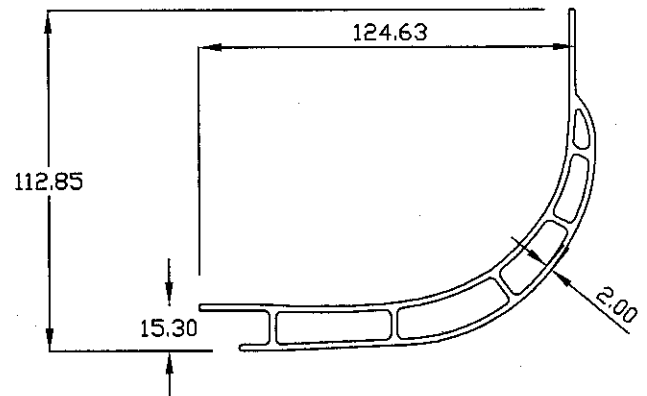
18071

0.417Kg/m



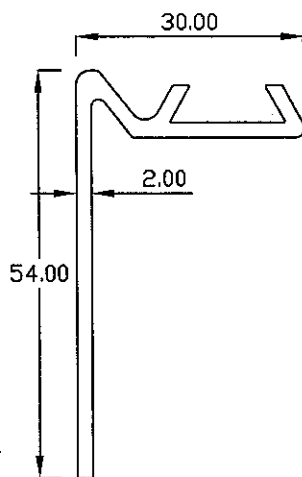
18075

2.336Kg/m



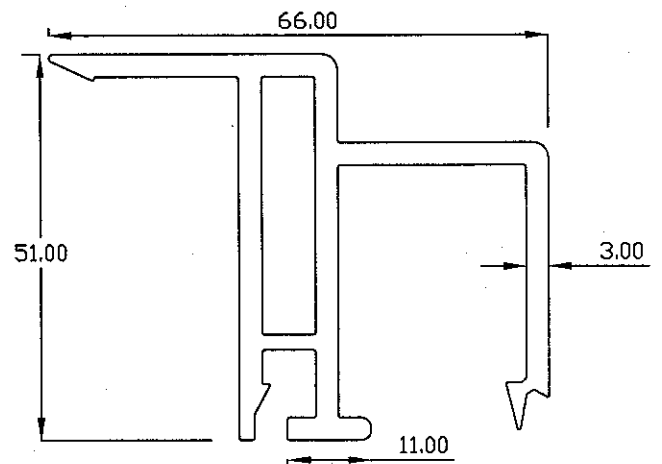
18076

0.547Kg/m



18080

1.672Kg/m



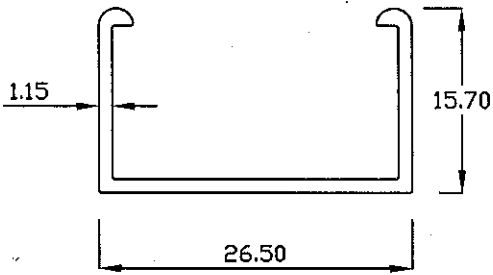
# EXTRUSION

# VALCO

## TRANSPORTS SECTIONS

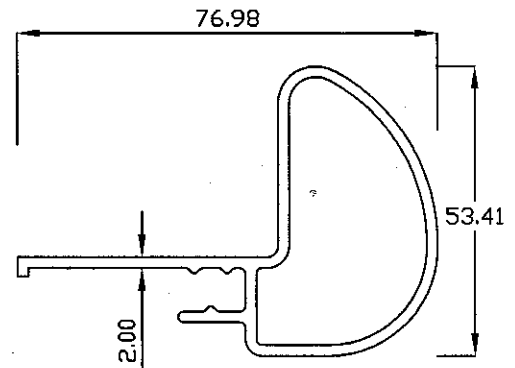
18081

0.197 Kg/m



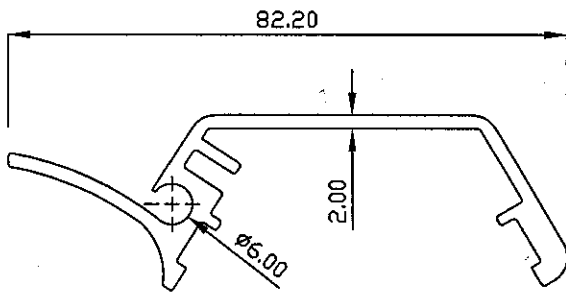
18088

1.092 Kg/m



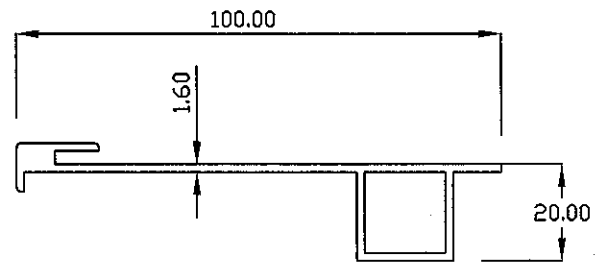
18100

0.853 Kg/m



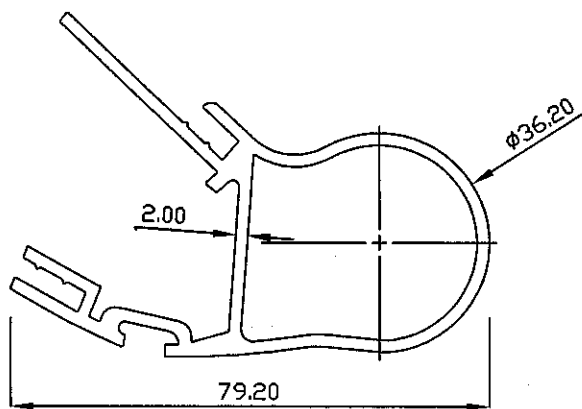
18110

0.834 Kg/m



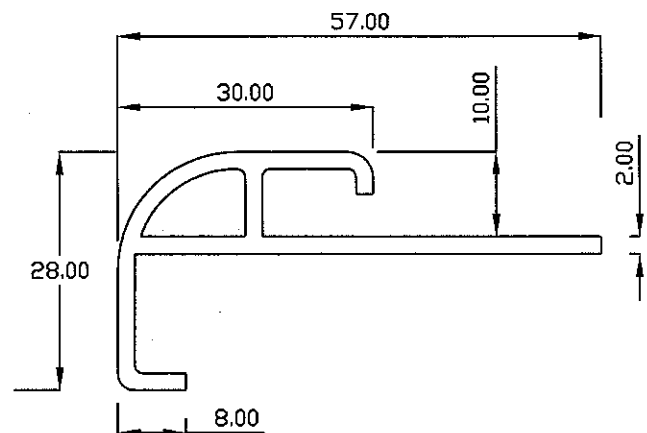
18111

1.448 Kg/m



18210

0.654 Kg/m



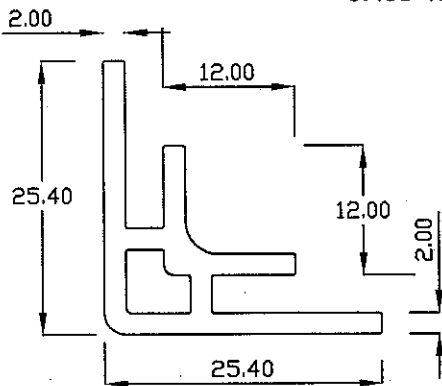
# EXTRUSION

# VALCO

## TRANSPORTS SECTIONS

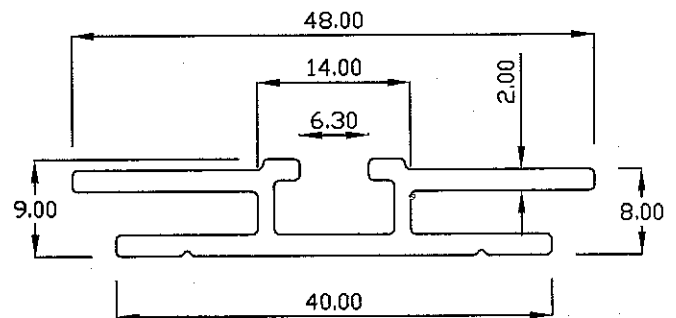
18211

0.438 Kg/m



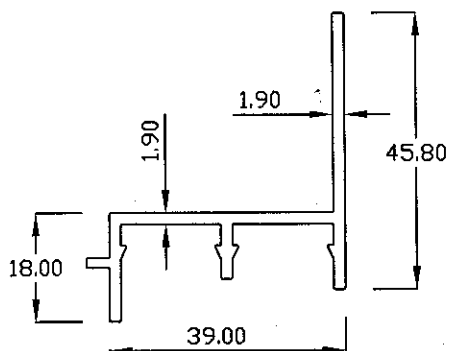
18213

0.493 Kg/m



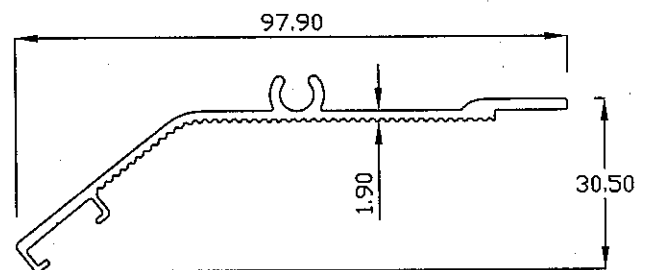
18241

0.604 Kg/m



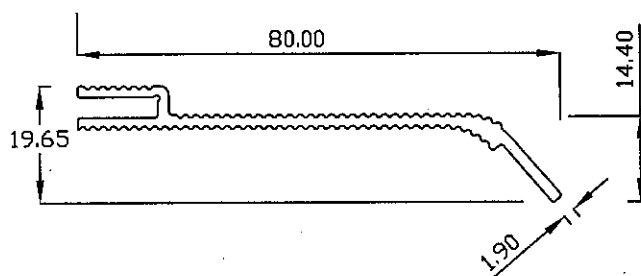
18255

0.613 Kg/m



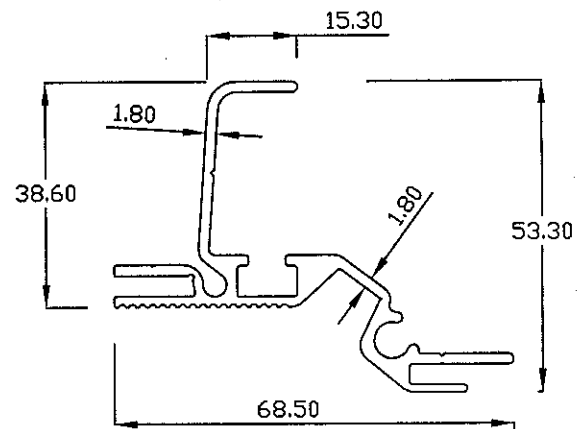
18256

0.541 Kg/m



18257

0.938 Kg/m



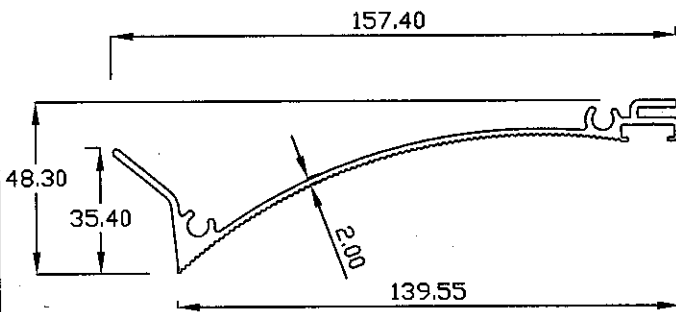
# EXTRUSION

# VALCO

## TRANSPORTS SECTIONS

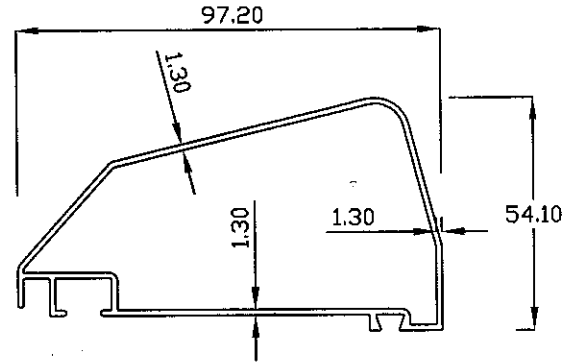
18258

1.271 Kg/m



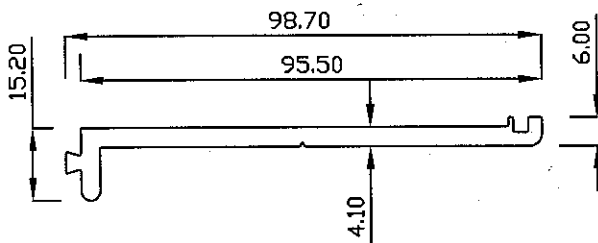
18269

1.033 Kg/m



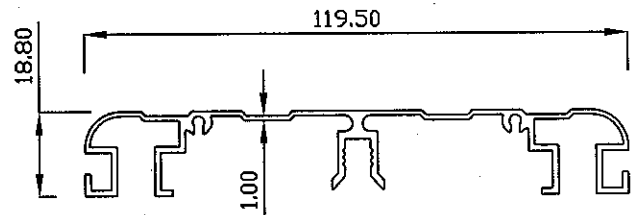
18270

1.230 Kg/m



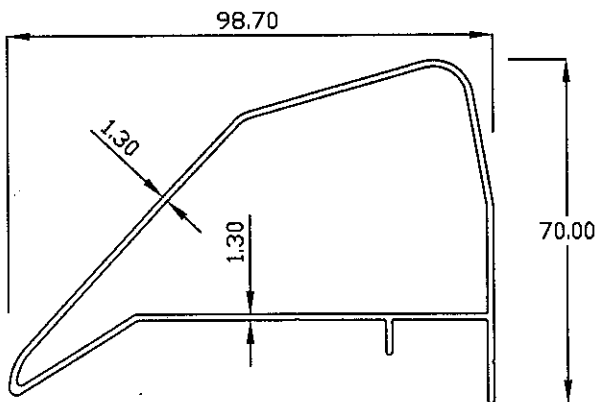
18271

0.948 Kg/m



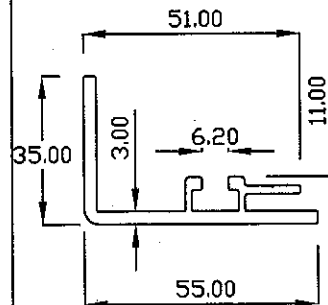
18272

1.060 Kg/m



18307

0.880 Kg/m



18308

0.580 Kg/m

