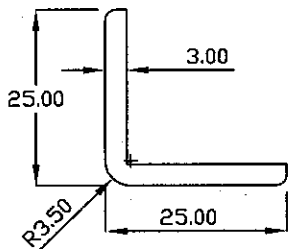
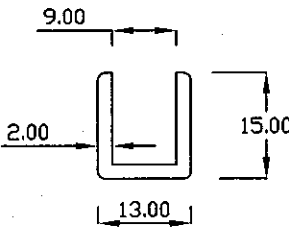
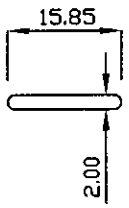
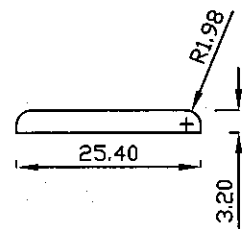
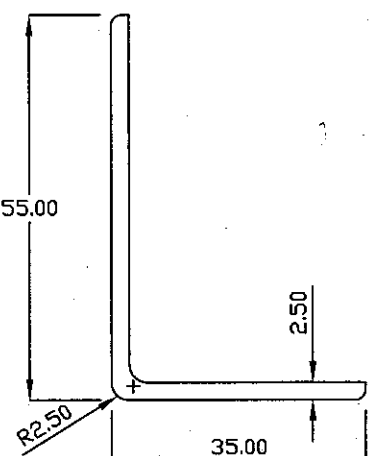
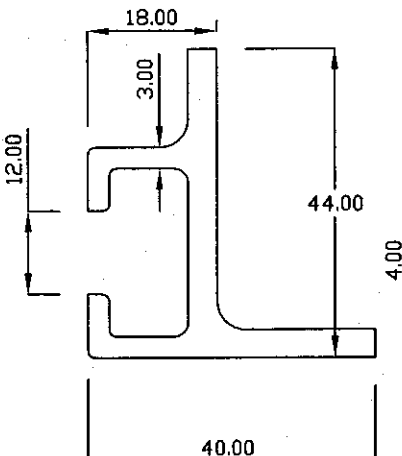
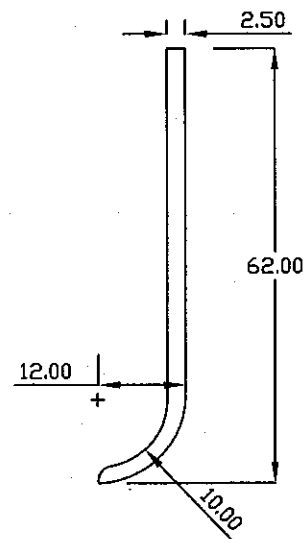
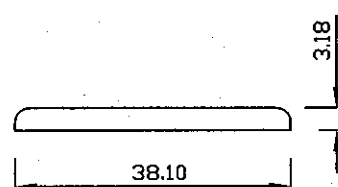
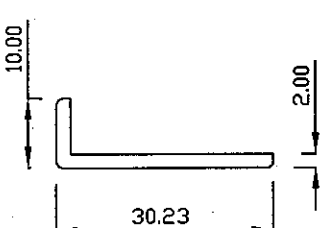
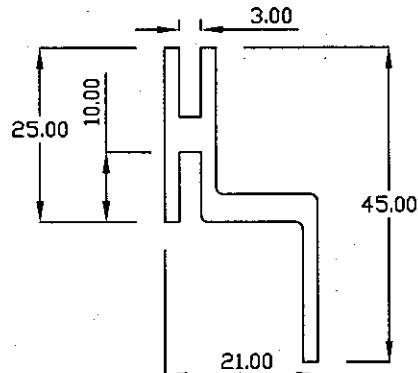


EXTRUSION

VALCO

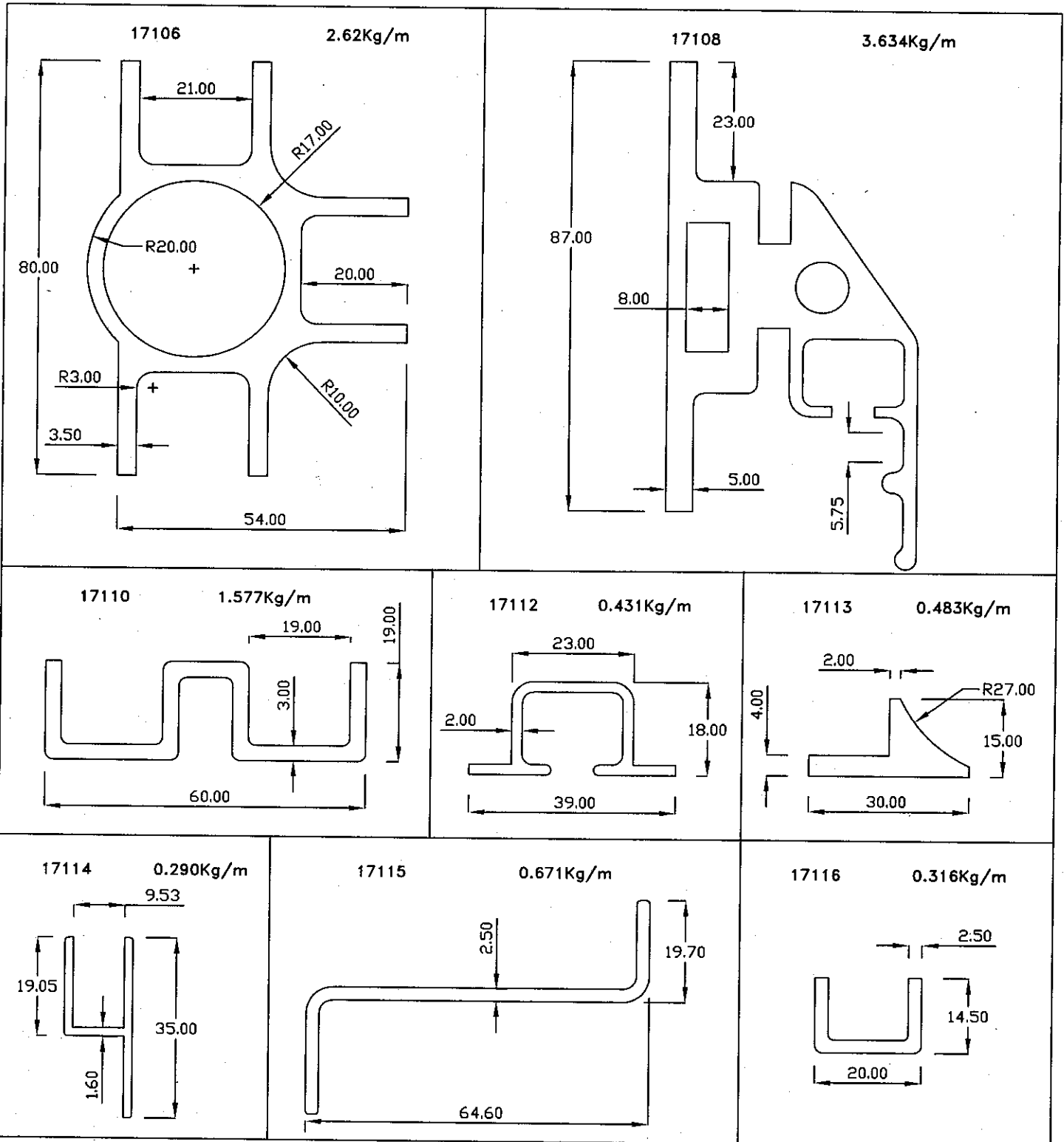
MOULDING

<p>11307 0.381Kg/m</p> 	<p>17101 0.210Kg/m</p> 	<p>17102 0.085Kg/m</p> 	<p>17104 0.214Kg/m</p> 
<p>11315 0.59Kg/m</p> 	<p>17103 1.061Kg/m</p> 	<p>17109 0.459Kg/m</p> 	
<p>17105 0.323Kg/m</p> 	<p>17107 0.216Kg/m</p> 	<p>17111 0.569Kg/m</p> 	

EXTRUSION

VALCO

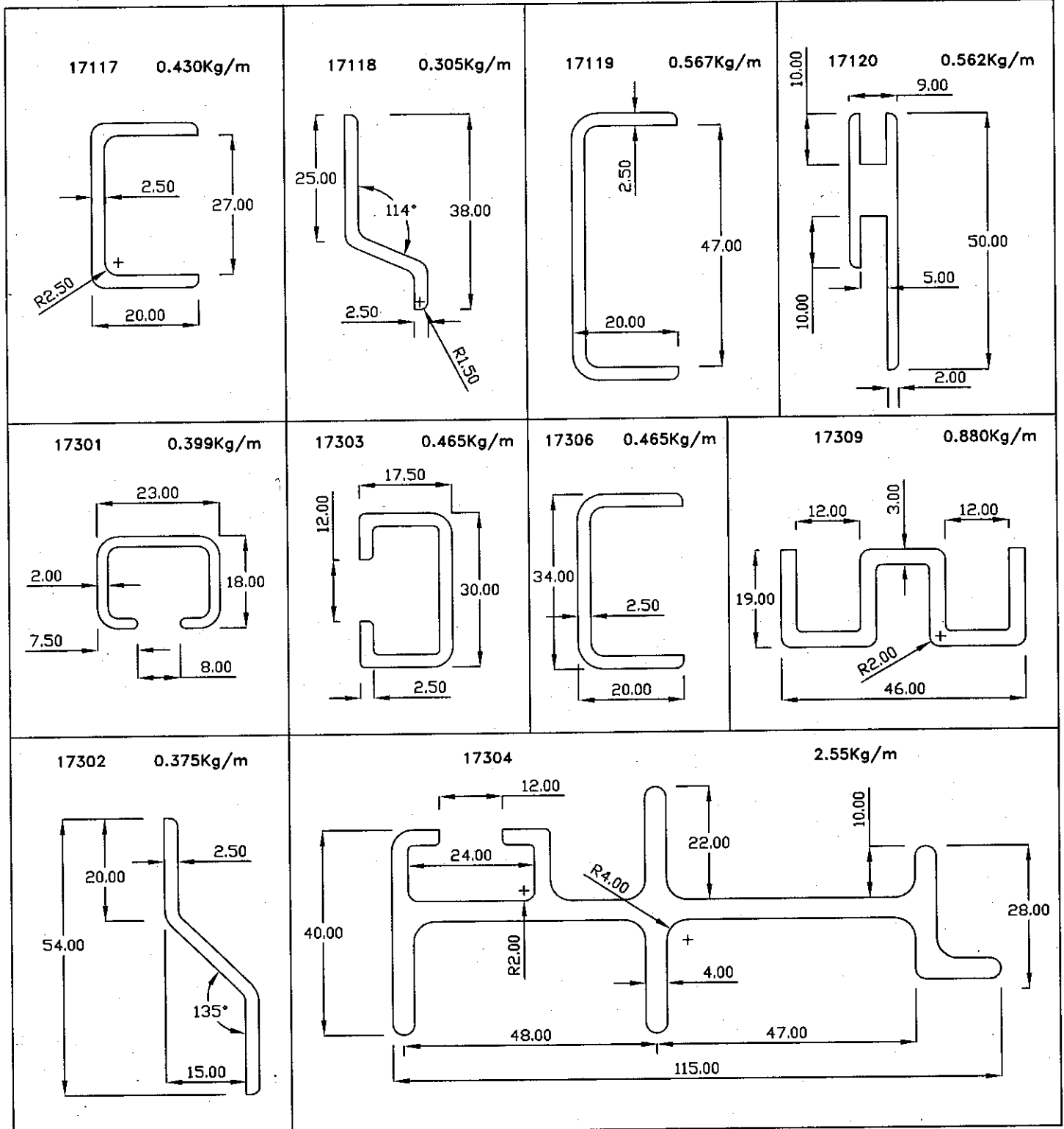
MOULDING



EXTRUSION

VALCO

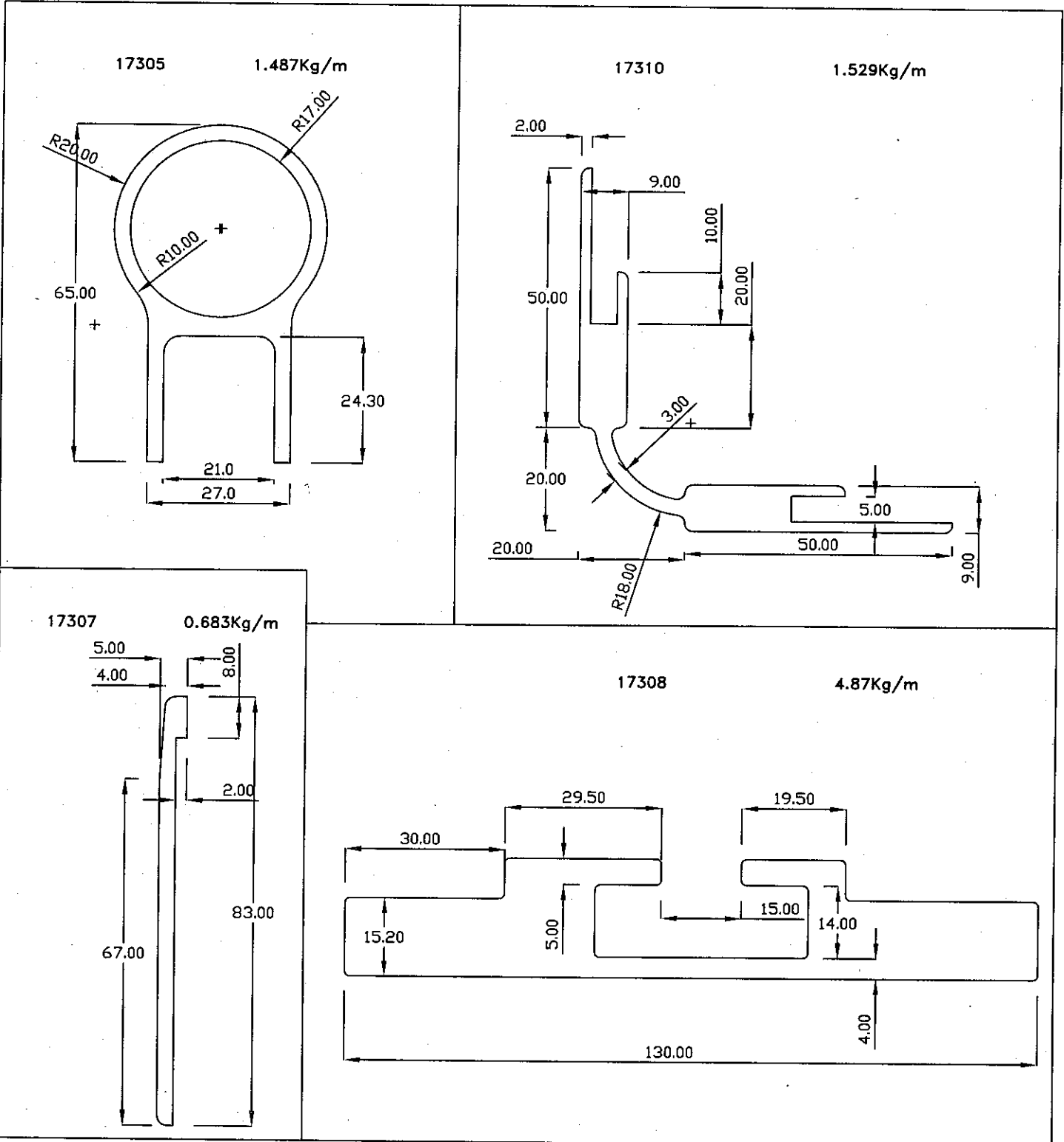
MOULDING



EXTRUSION

VALCO

MOULDING

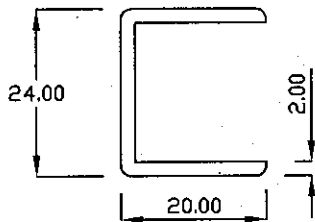


EXTRUSION

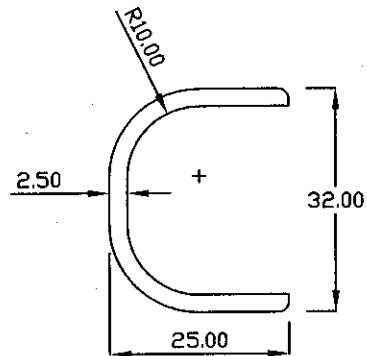
VALCO

MOULDING

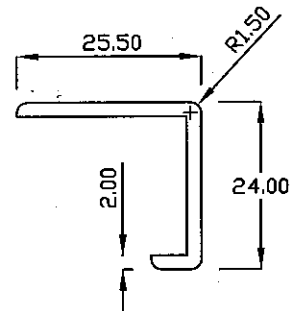
17311 0.319Kg/m



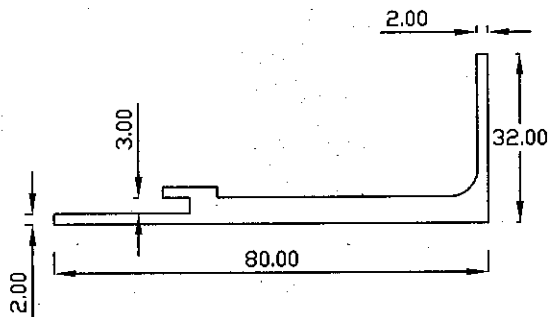
17312 0.453Kg/m



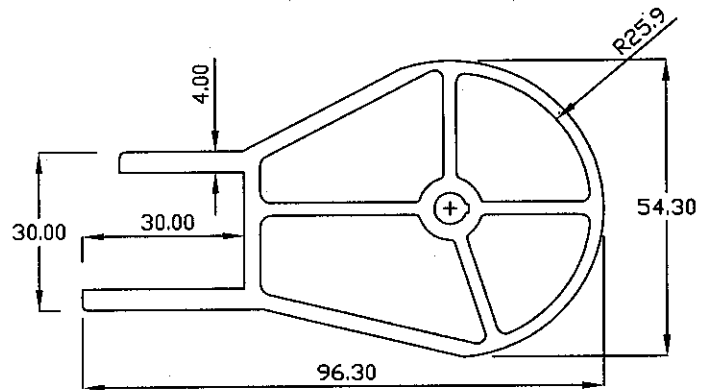
17314 0.282Kg/m



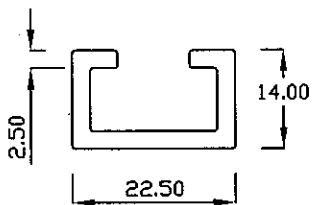
17315 1.092Kg/m



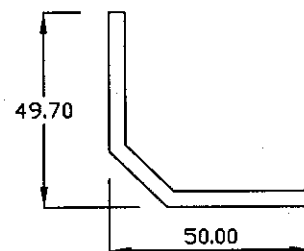
17313 2.815Kg/m



17316 0.365Kg/m



17318 1.145Kg/m

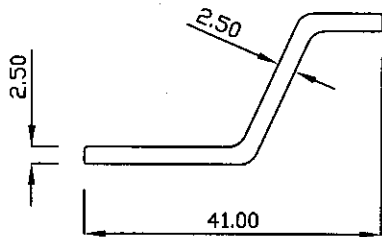


EXTRUSION

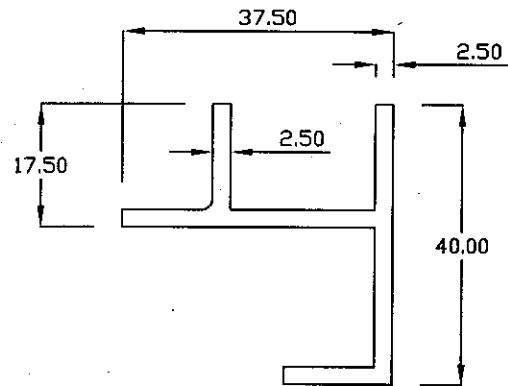
VALCO

MOULDING

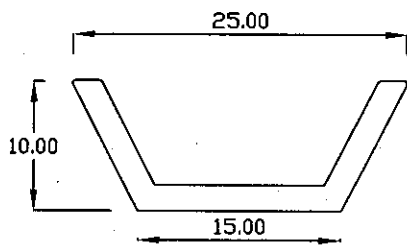
17320 0.360 Kg/m



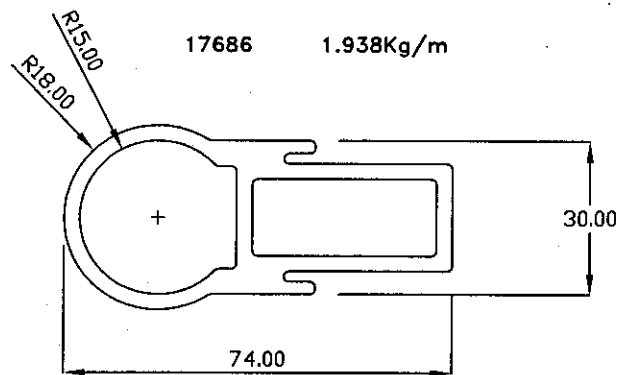
17321 0.693 Kg/m



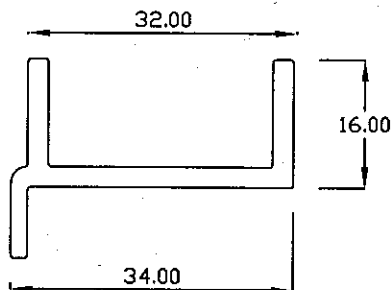
17685 0.185Kg/m



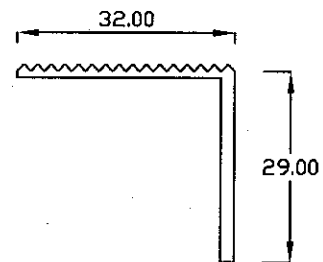
17686 1.938Kg/m



17687 0.461Kg/m



17688 0.284Kg/m

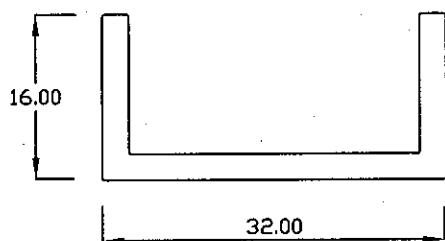


EXTRUSION

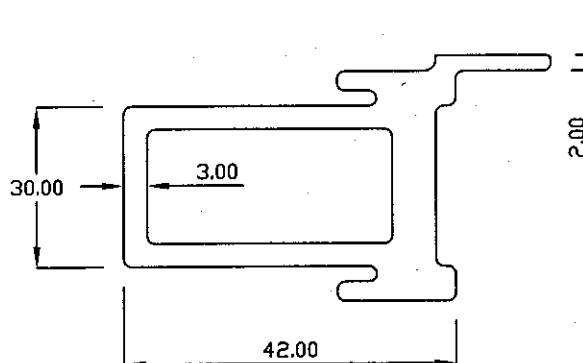
VALCO

MOULDING

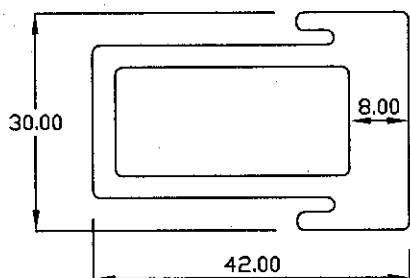
17689 0.400Kg/m



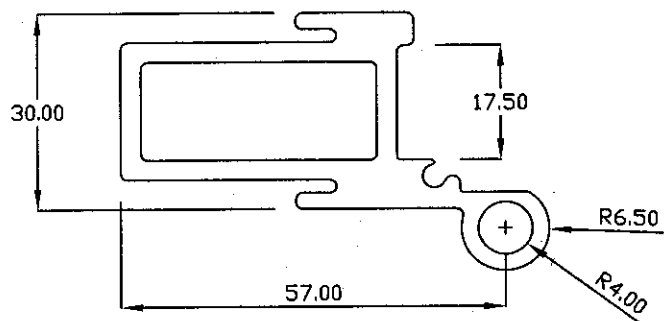
17690 1.378 Kg/m



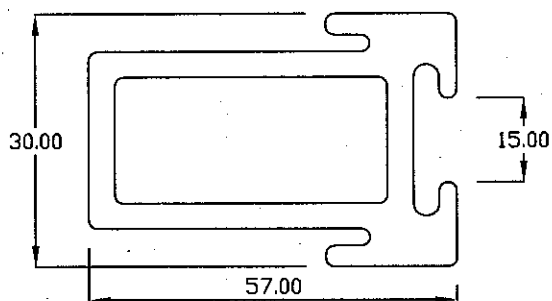
17691 0.536Kg/m



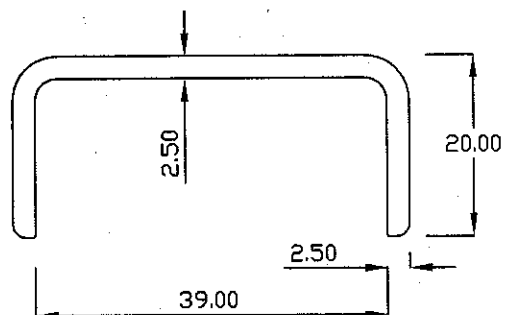
17692 1.746Kg/m



17693 1.244Kg/m



18113 0.509 Kg/m



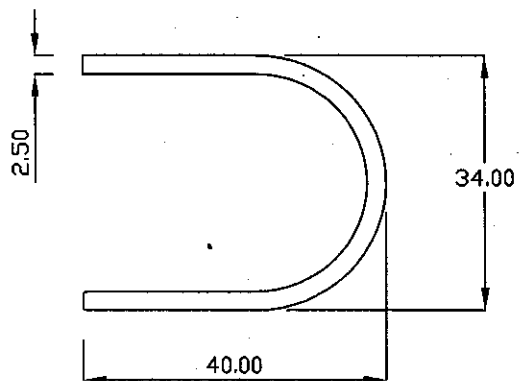
EXTRUSION

VALCO

MOULDING

18118

0.664 Kg/m



18132

0.550 Kg/m

