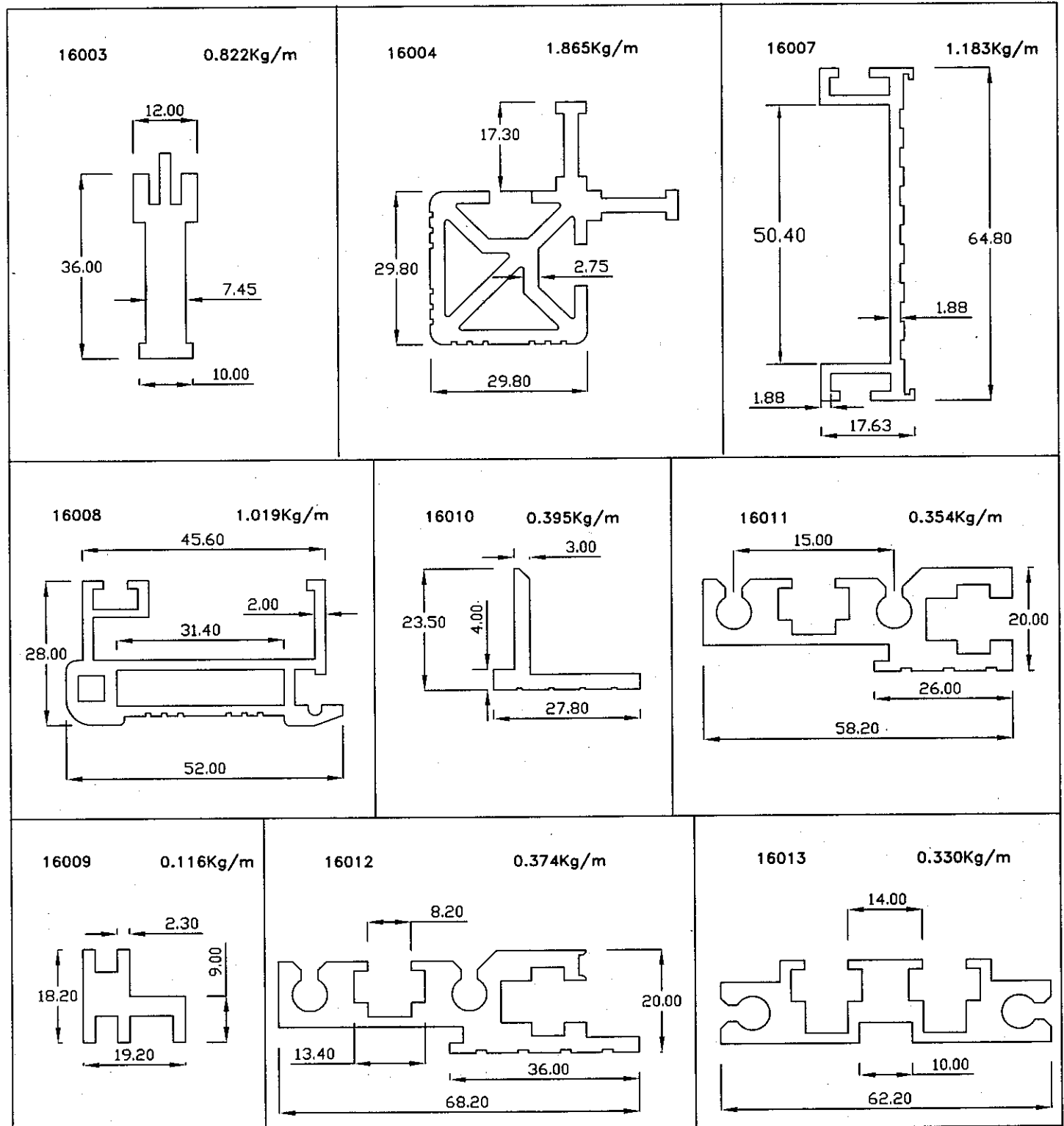


EXTRUSION

VALCO

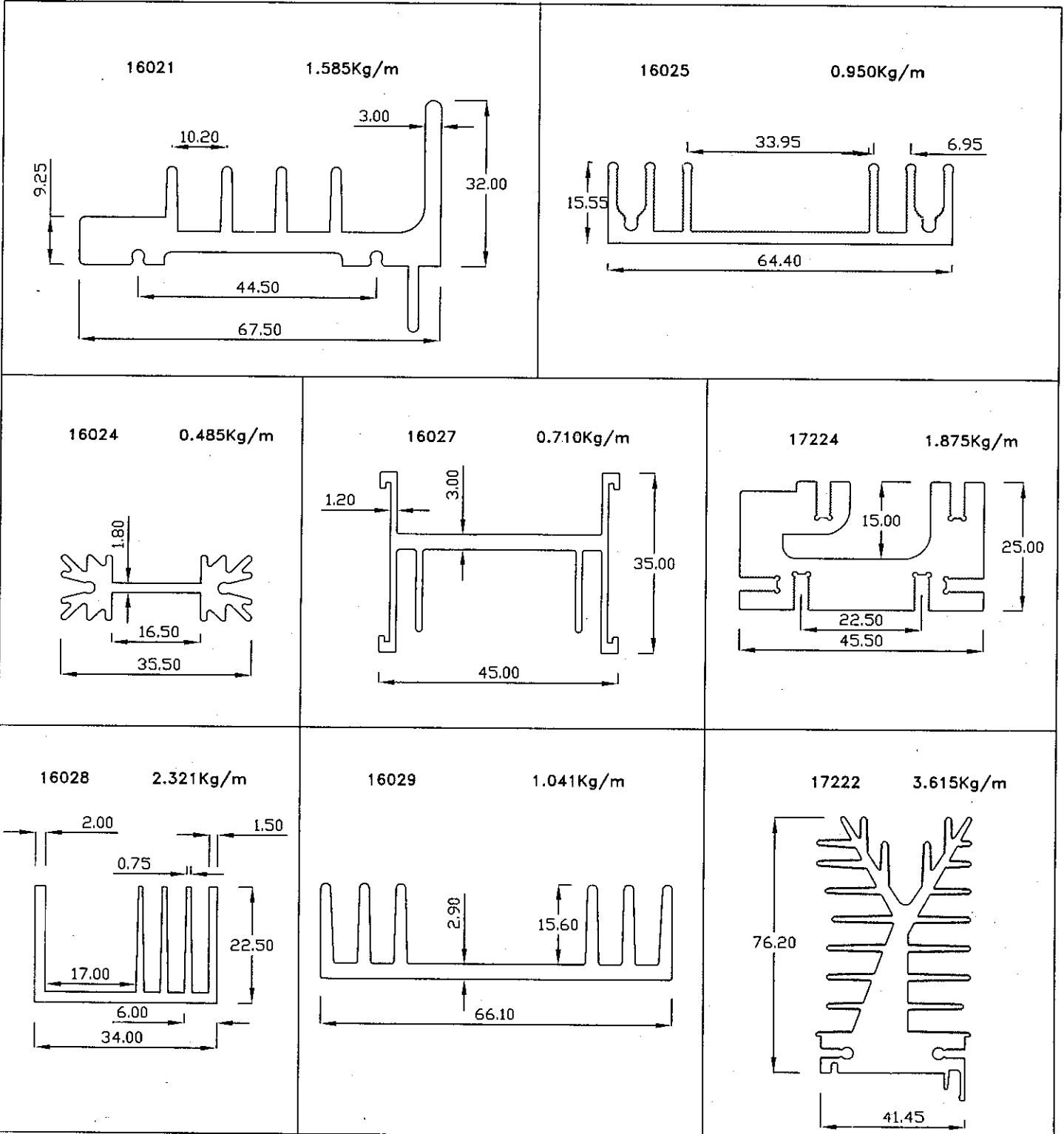
HEAT SINK



EXTRUSION

VALCO

HEAT SINK



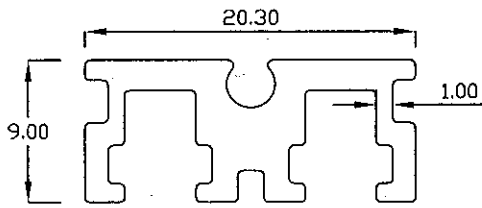
EXTRUSION

VALCO

HEAT SINK

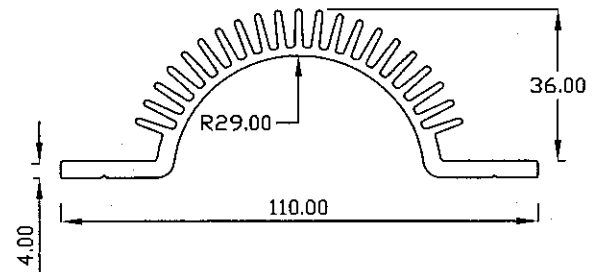
16016

0.240Kg/m



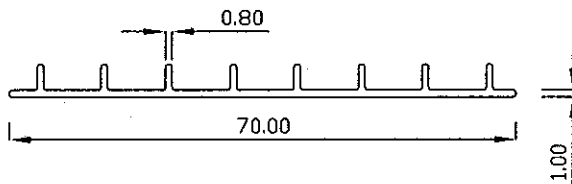
17259

2.010Kg/r



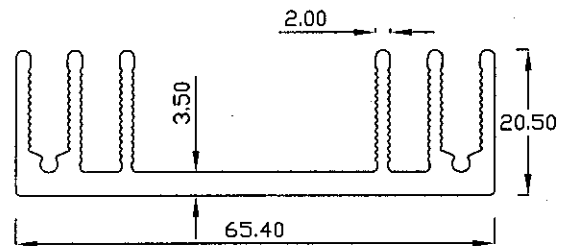
17406

0.238Kg/m



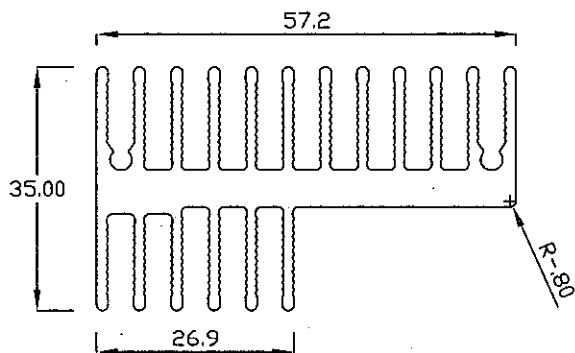
17410

1.10Kg/m



17412

1.80Kg/m



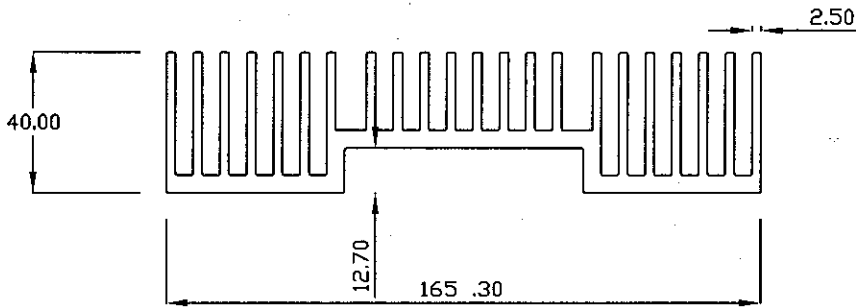
EXTRUSION

VALCO

HEAT SINK

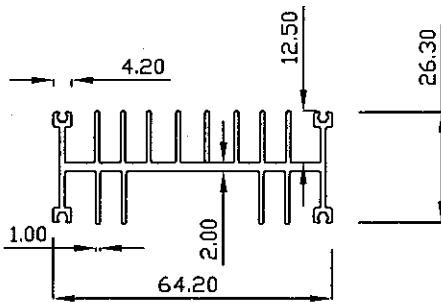
17458

6914 gms/mt



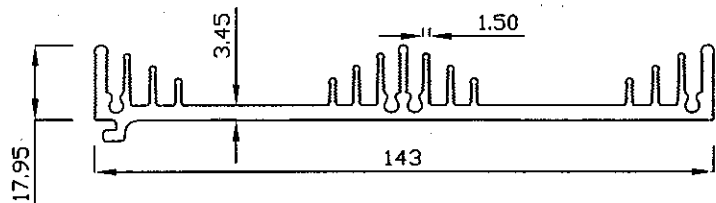
17470

966 gms/mt



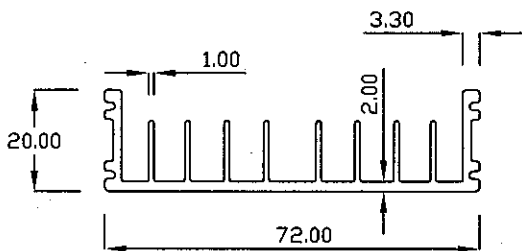
17471

2.010 Kg/m



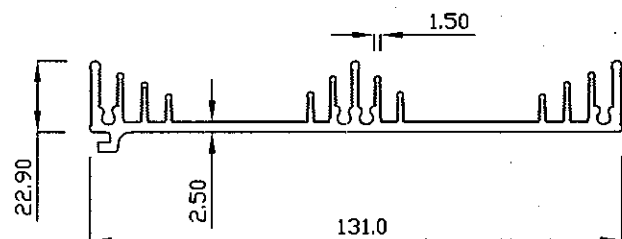
17472

0.859 Kg/m



17494

1.582 Kg/m



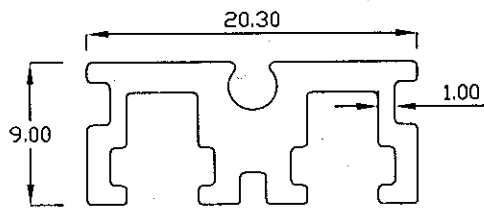
EXTRUSION

VALCO

HEAT SINK

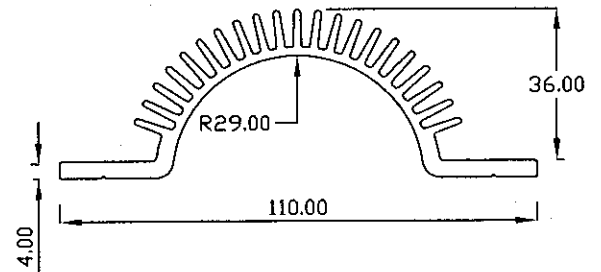
16016

0.240Kg/m



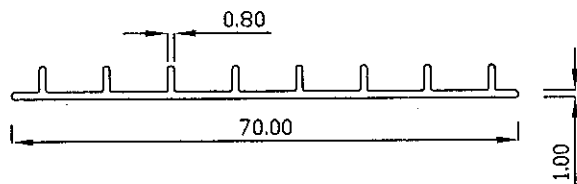
17259

2.010Kg/r



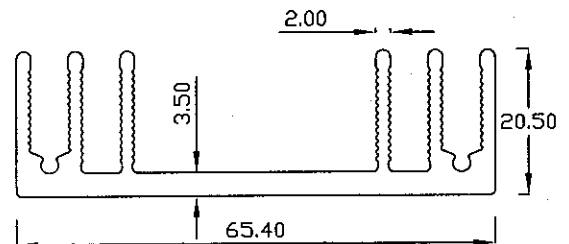
17406

0.238Kg/m



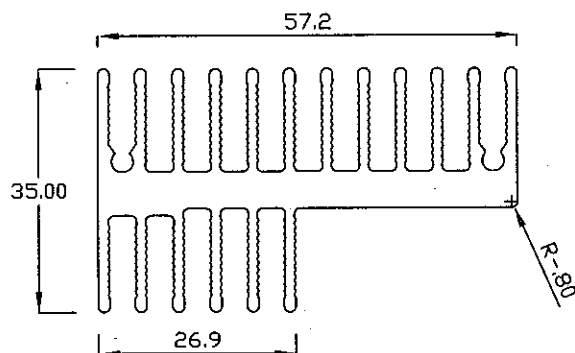
17410

1.10Kg/m



17412

1.80Kg/m



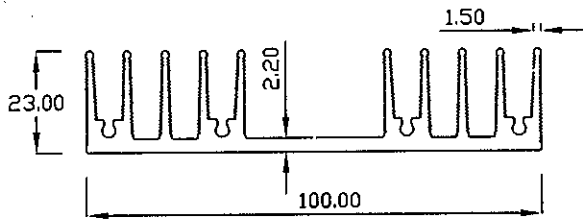
EXTRUSION

VALCO

HEAT SINK

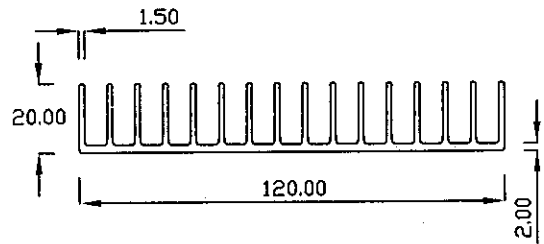
17495

1.978Kg/mt



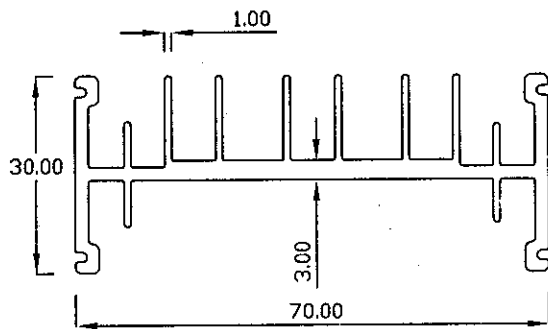
17516

1.819Kg/m



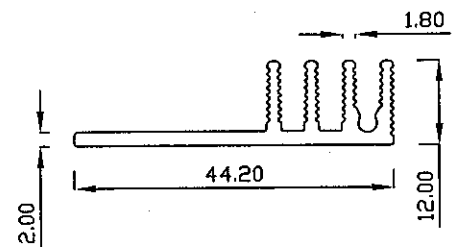
17531

1.134 Kg/m



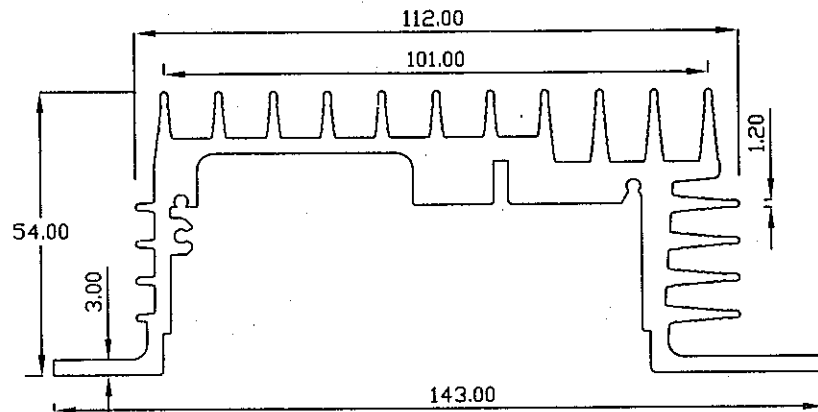
17534

0.412 Kg/mt



17559

4.039Kg/mt



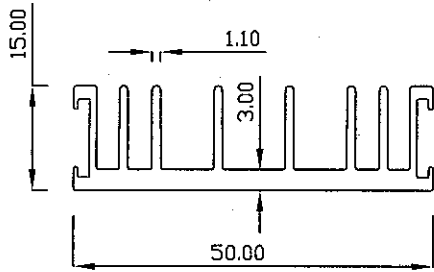
EXTRUSION

VALCO

HEAT SINK

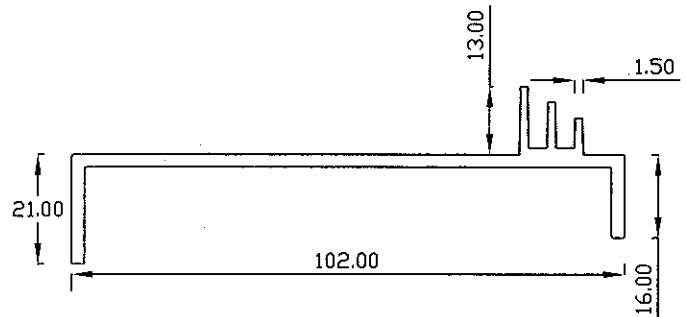
17560

0.713Kg/m



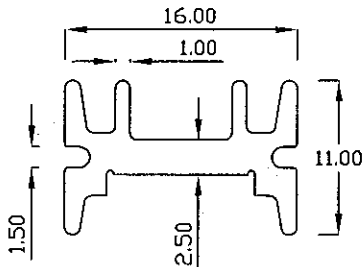
17580

1.015Kg/m



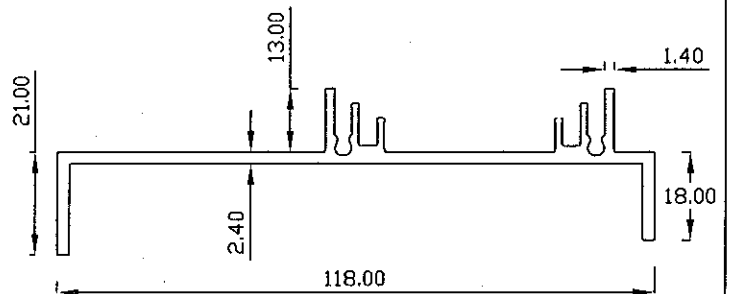
17596

0.194Kg/m



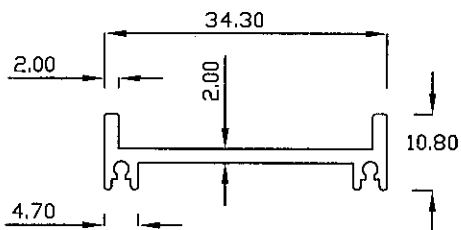
17607

1.270 kg/mt



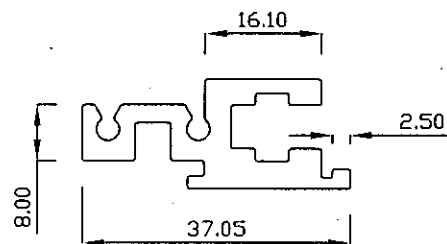
17619

0.317Kg/m



17585

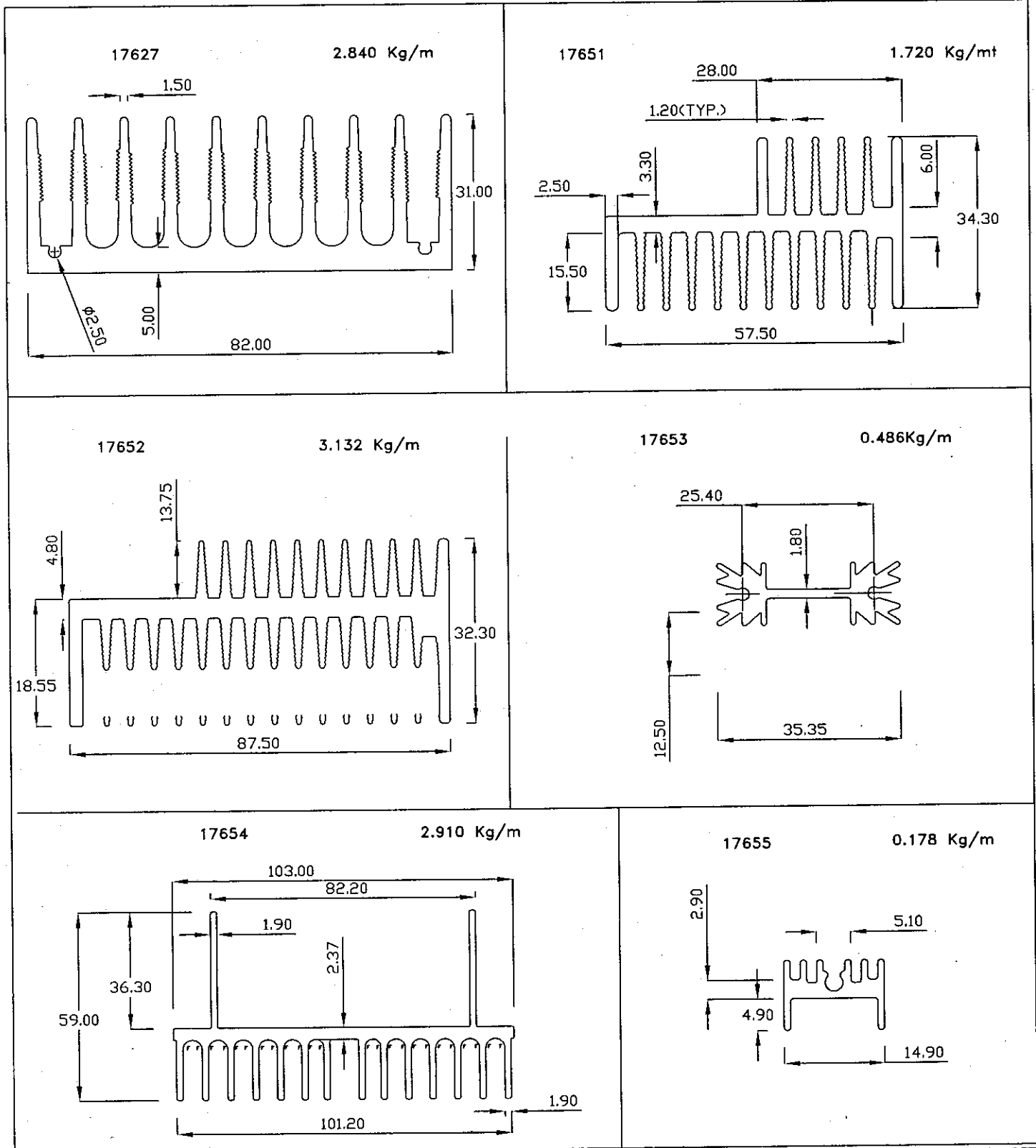
0.753 kg/mt



EXTRUSION

VALCO

HEAT SINK



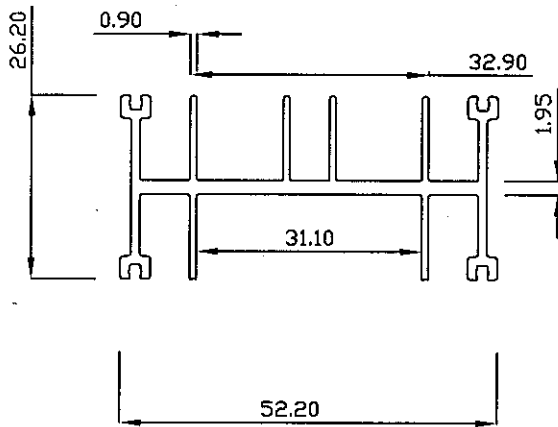
EXTRUSION

VALCO

HEAT SINK

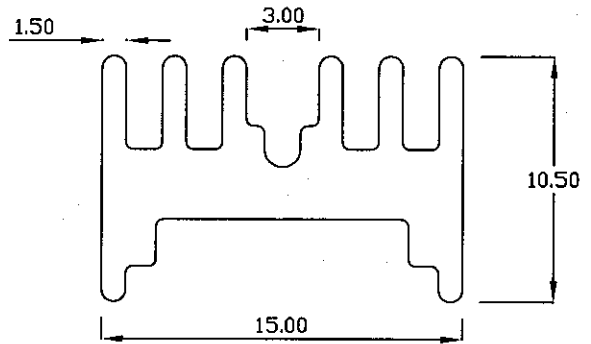
17662

0.6745 Kg/mt



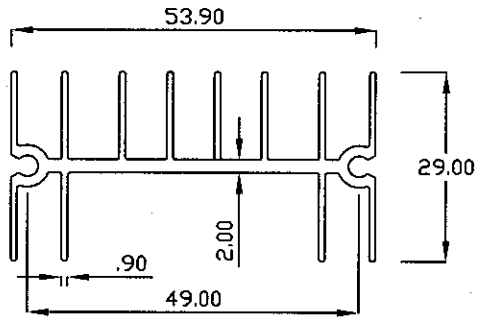
17676

0.220 Kg/mt



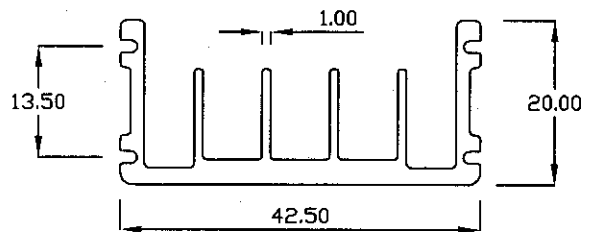
17684

0.718 Kg/mt



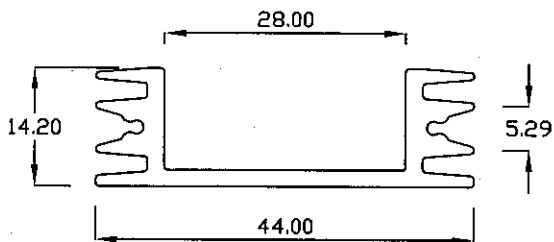
17701

0.609 Kg/mt



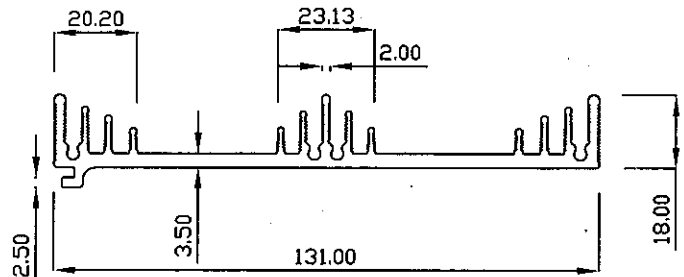
17702

0.534Kg/mt



17705

1.880Kg/mt



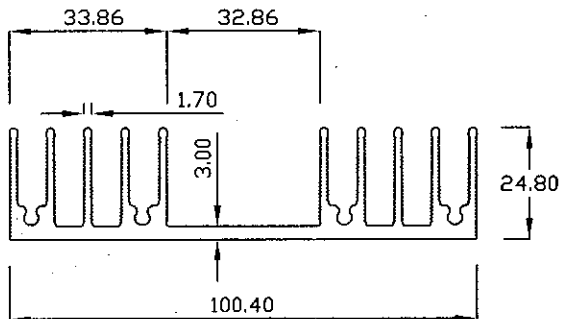
EXTRUSION

VALCO

HEAT SINK

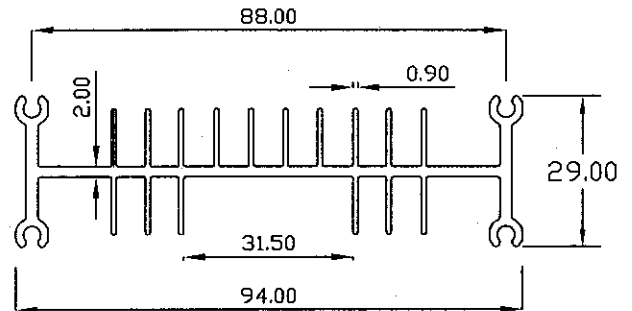
17706

1.938 Kg/mt



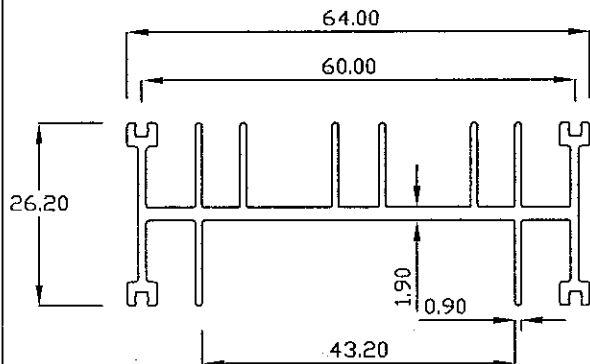
17712

1.405 Kg/mt



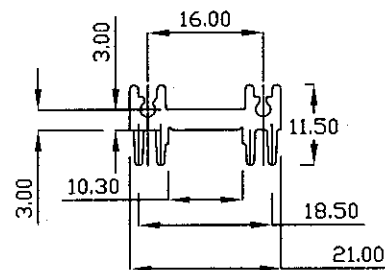
17713

0.774 Kg/mt



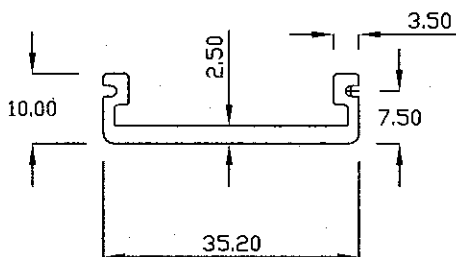
17715

0.290 Kg/mt



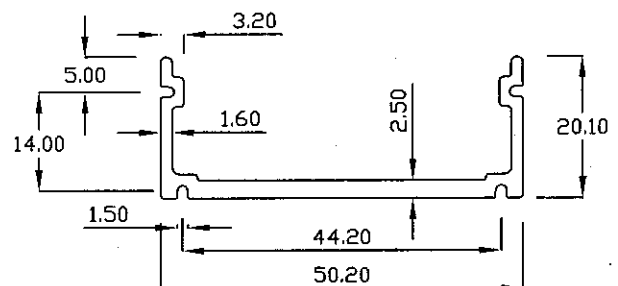
17716

0.340 Kg/mt



17717

0.520 Kg/mt



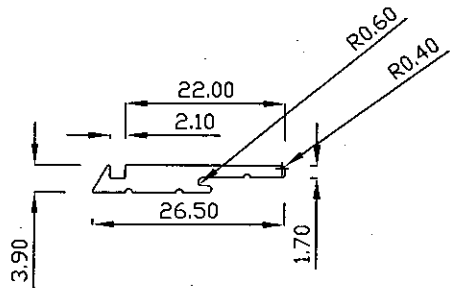
EXTRUSION

VALCO

HEAT SINK

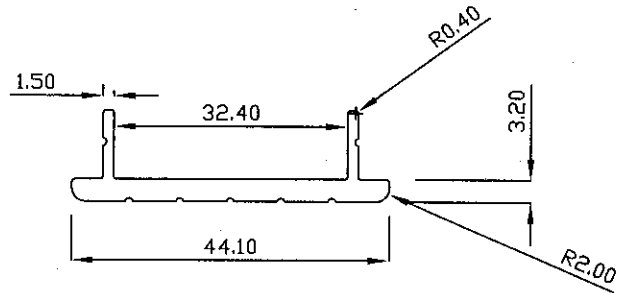
17745

0.196 Kg/mt



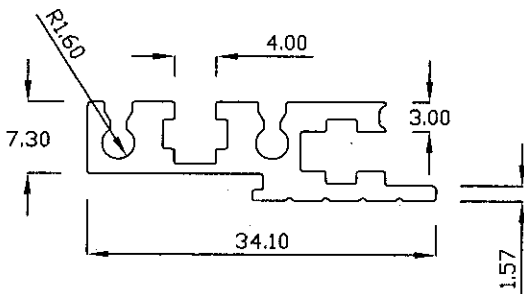
17746

0.453 Kg/mt



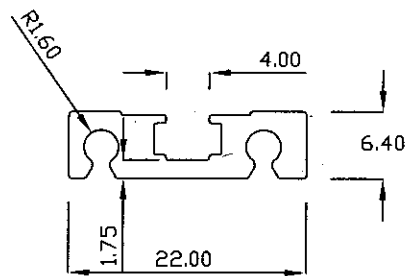
17765

0.426 Kg/mt



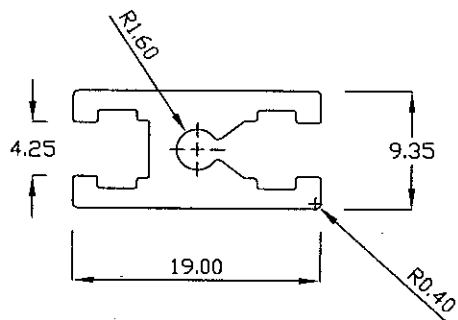
17766

0.249 Kg/mt



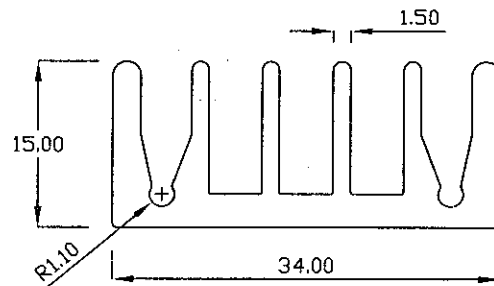
17767

0.280 Kg/mt



17768

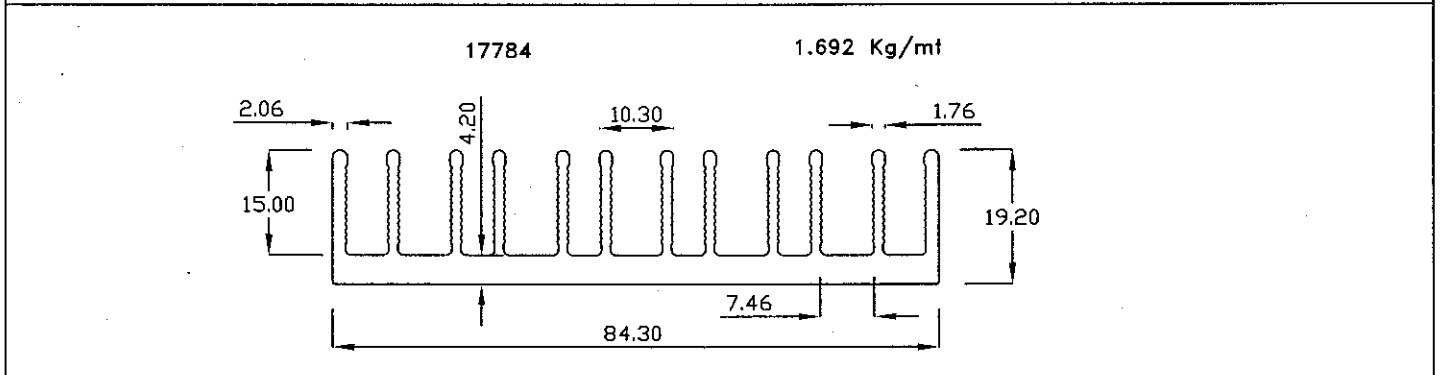
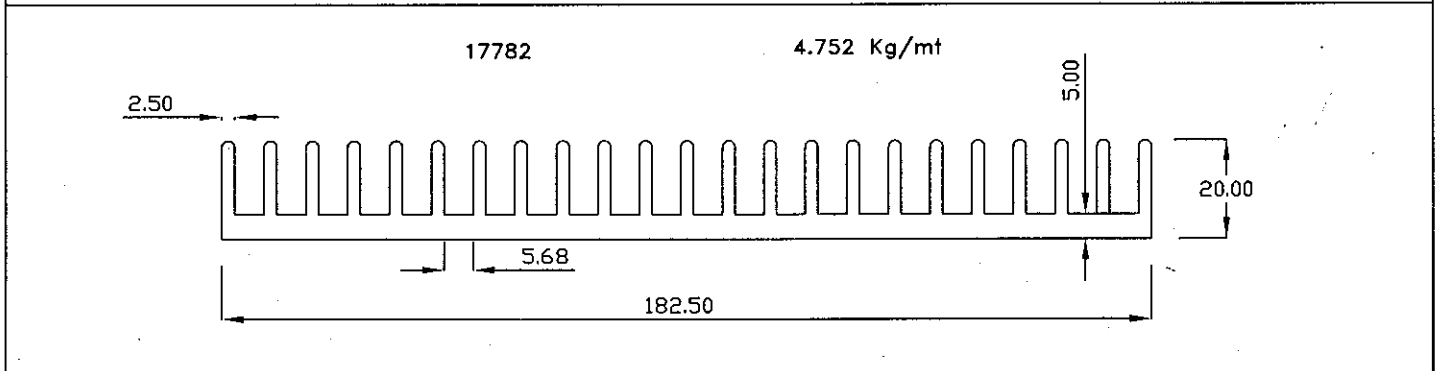
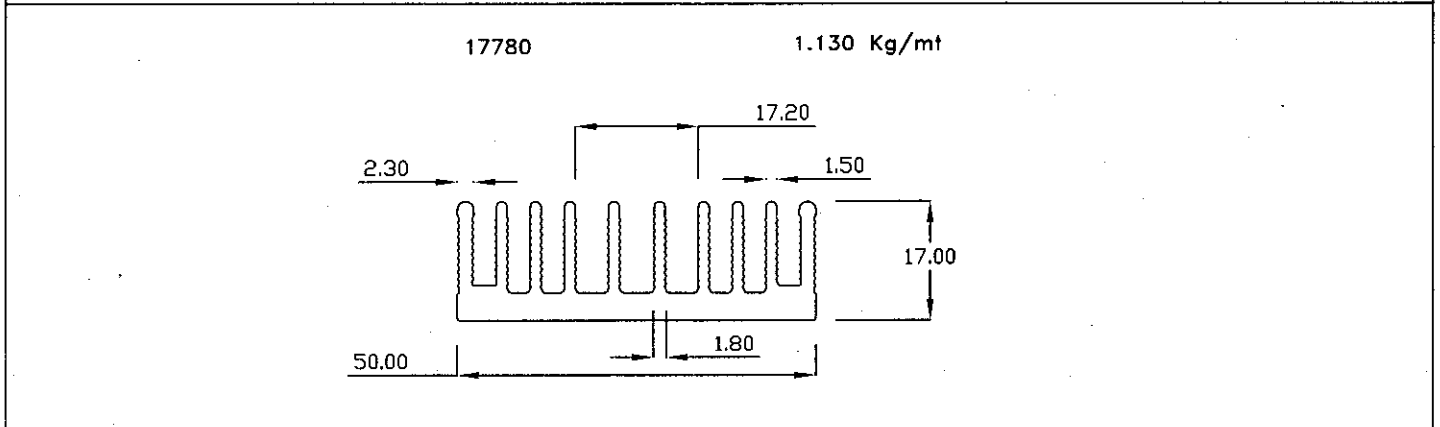
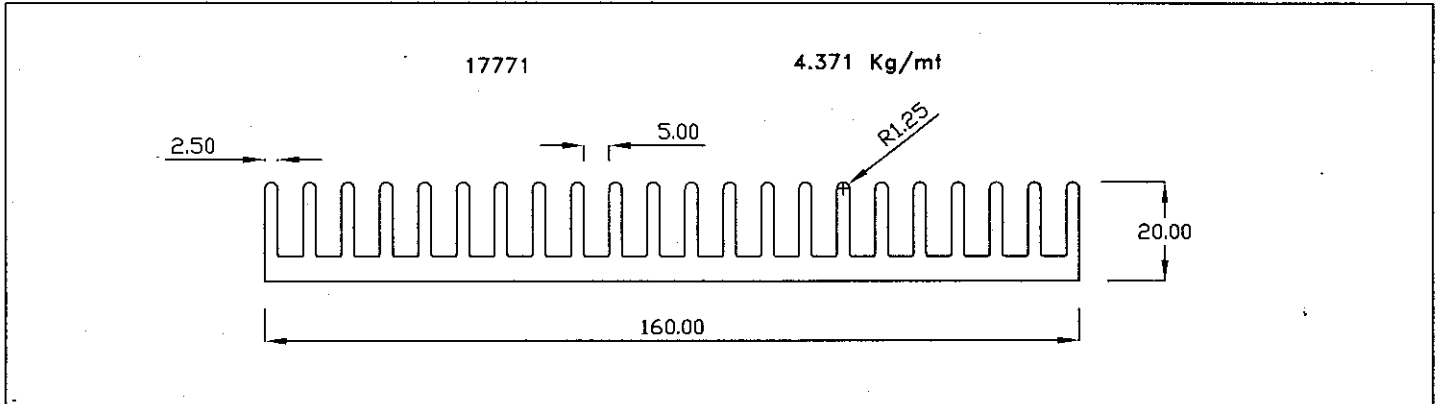
0.670 Kg/mt



EXTRUSION

VALCO

HEAT SINK



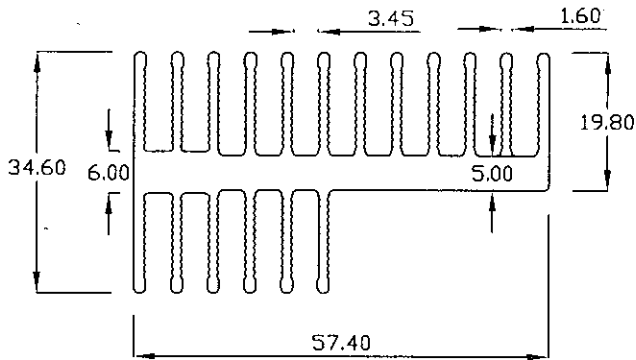
EXTRUSION

VALCO

HEAT SINK

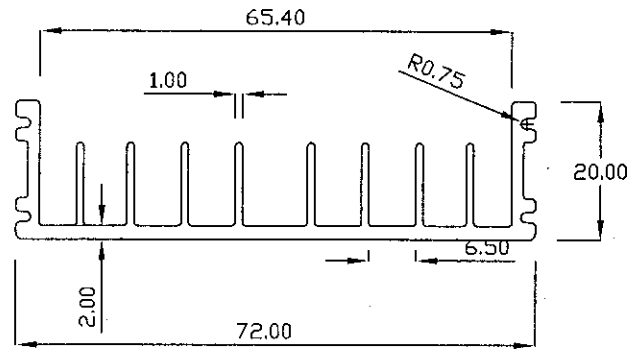
17792

1.750 Kg/mt



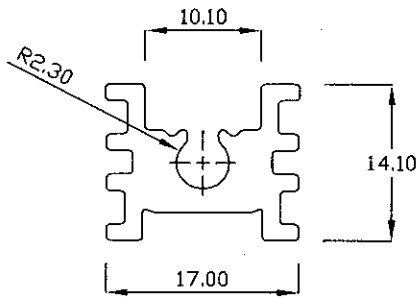
17795

0.870 Kg/mt



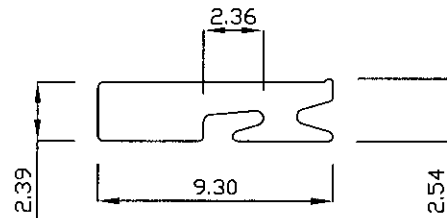
17798

0.324 Kg/mt



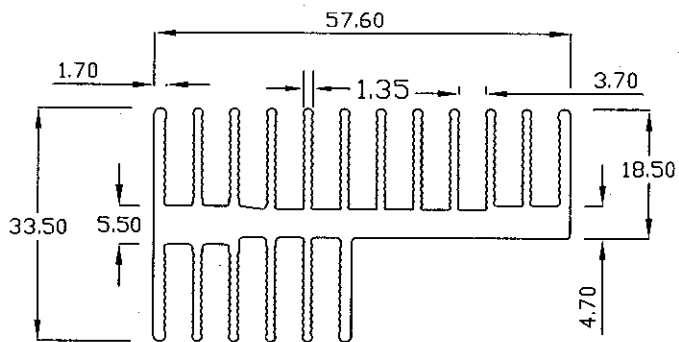
17807

0.053 Kg/mt



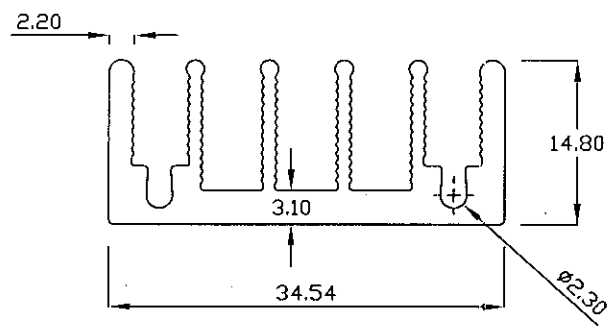
17809

1.550 Kg/mt



17810

0.600 Kg/mt



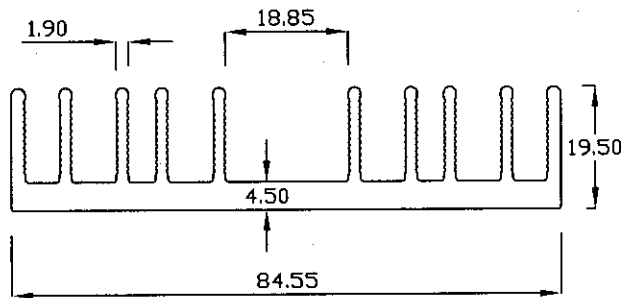
EXTRUSION

VALCO

HEAT SINK

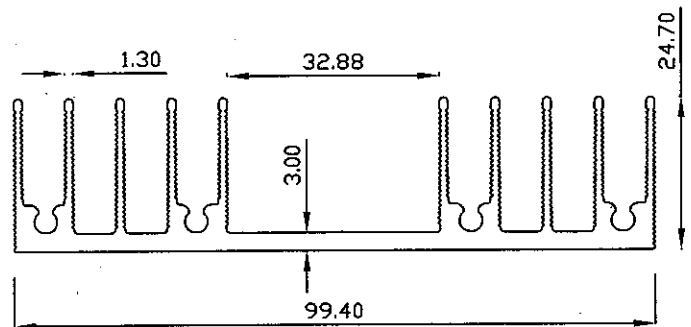
17811

1.745 Kg/mt



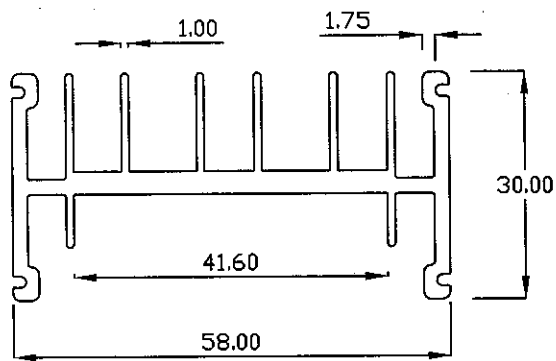
17827

1.692 Kg/mt



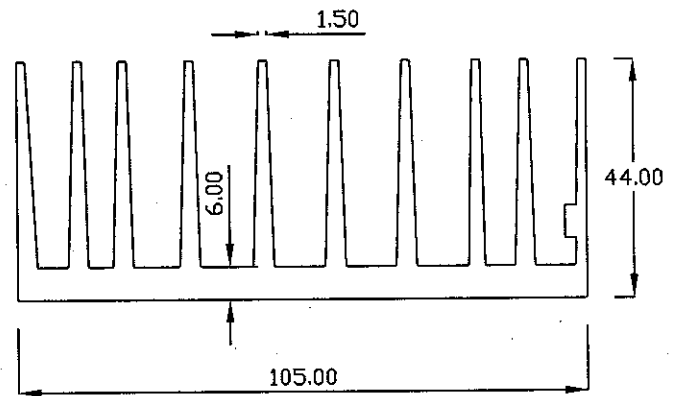
17849

1.030 Kg/mt



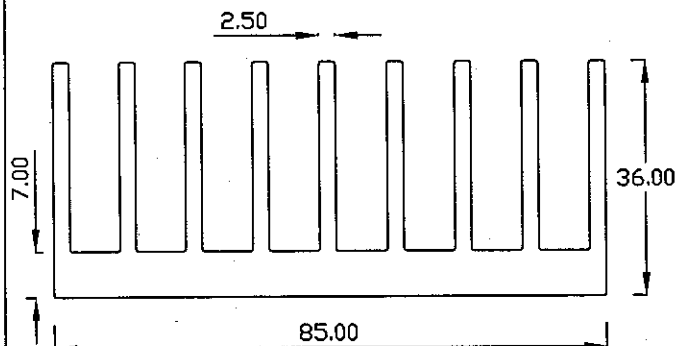
17850

4.300 Kg/mt



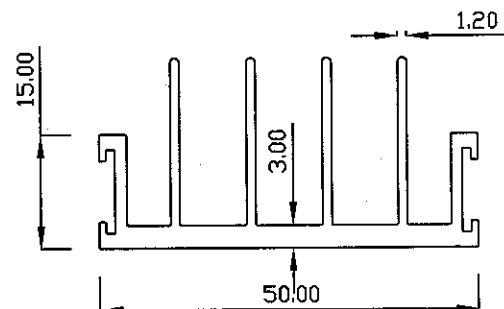
17894

3.400 Kg/mt



17908

0.830 Kg/mt



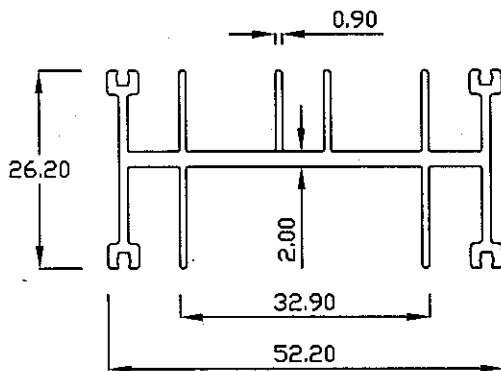
EXTRUSION

VALCO

HEAT SINK

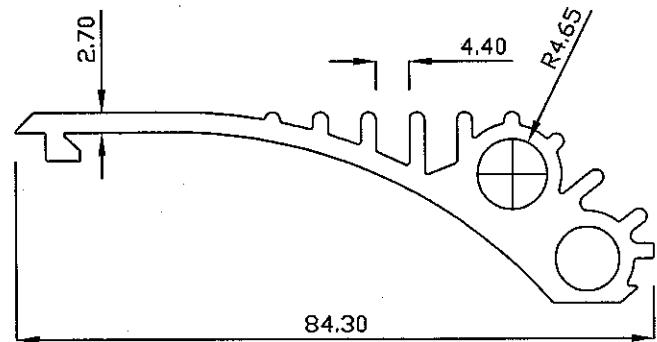
17918

0.661 Kg/mt



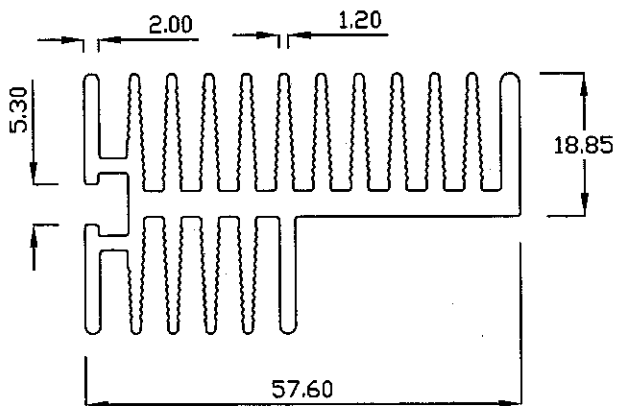
17920

1.309 Kg/mt



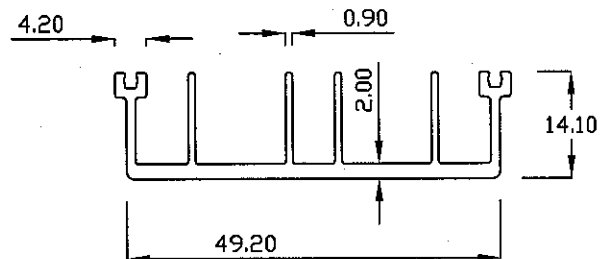
17926

1.947 Kg/mt



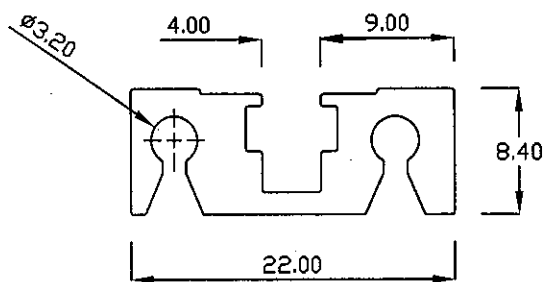
17929

0.510 Kg/mt



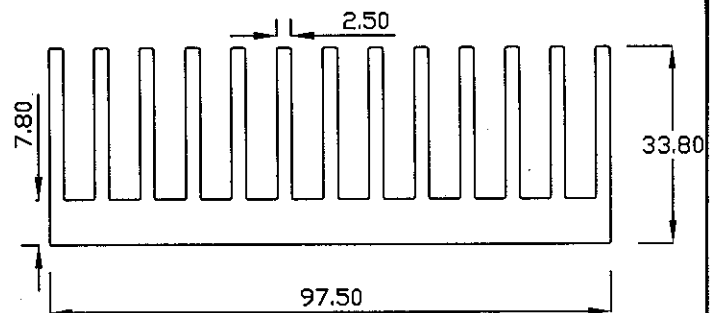
17933

0.325 Kg/mt



17945

4.380 Kg/mt



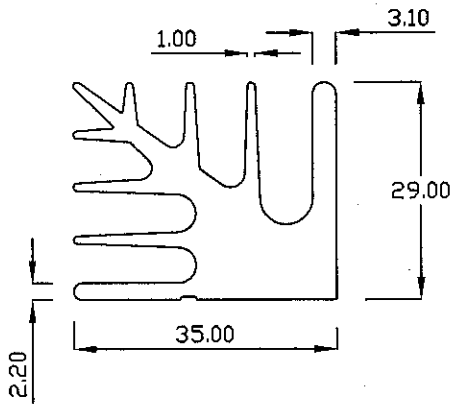
EXTRUSION

VALCO

HEAT SINK

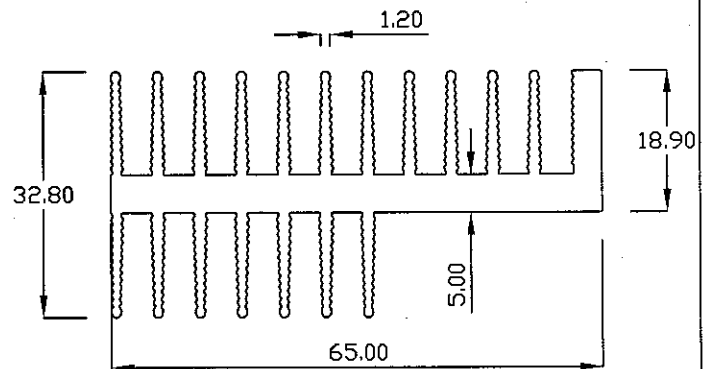
17951

1.380 Kg/mt



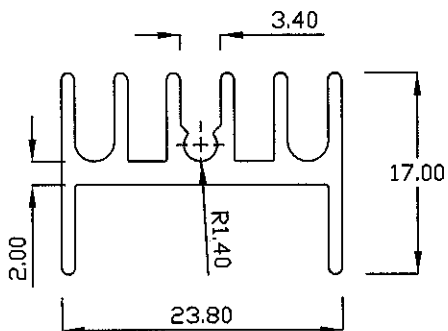
17952

1.960 Kg/mt



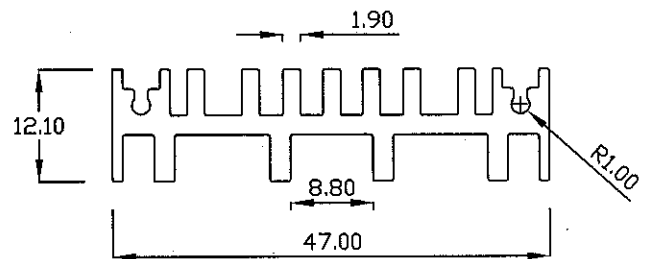
17953

0.357 Kg/mt



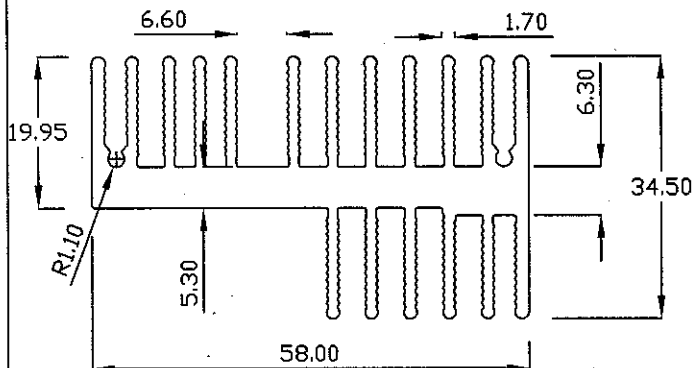
17960

0.718 Kg/mt



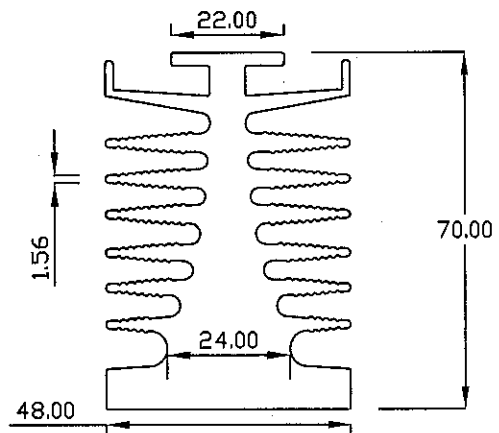
17967

1.940 Kg/mt



17968

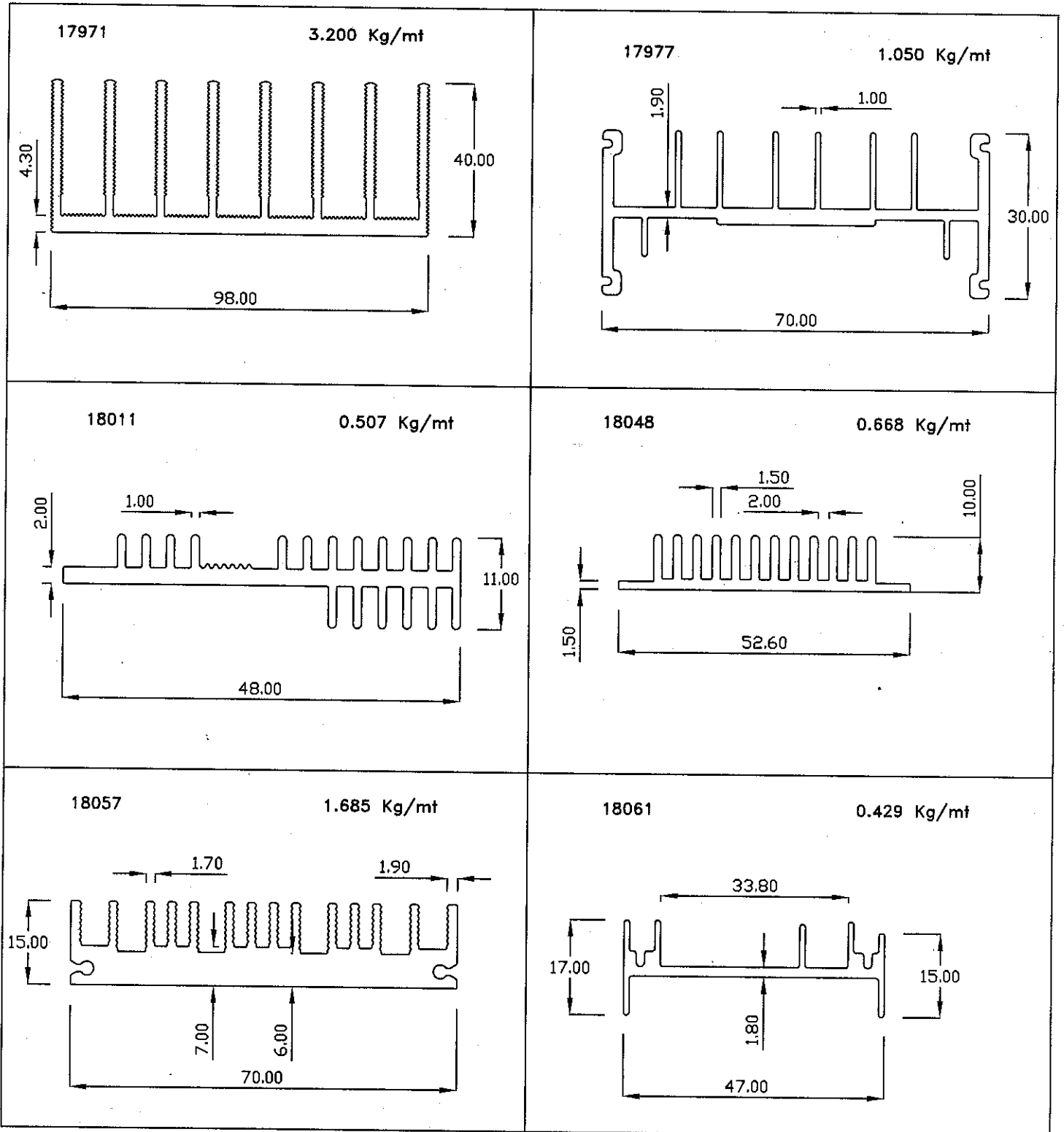
5.300 Kg/mt



EXTRUSION

VALCO

HEAT SINK



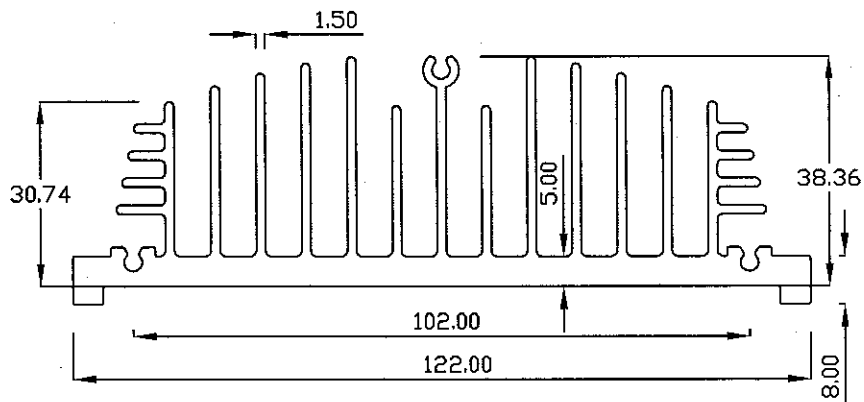
EXTRUSION

VALCO

HEAT SINK

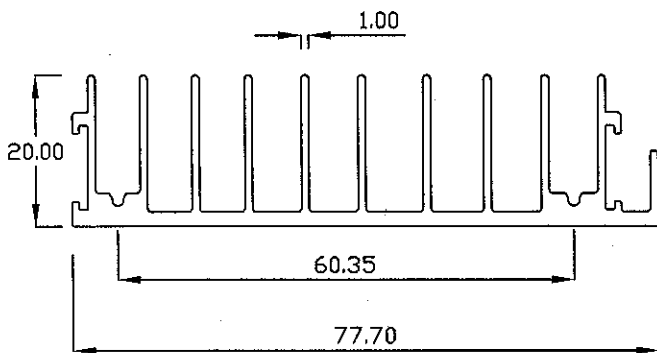
18065

3.571 Kg/mt



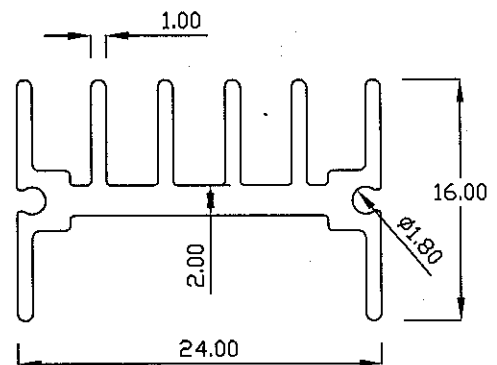
18062

1.023 Kg/mt



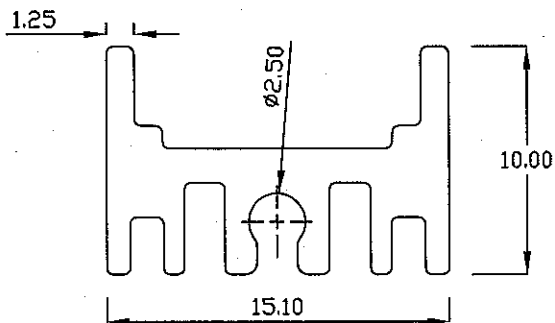
18067

0.305 Kg/mt



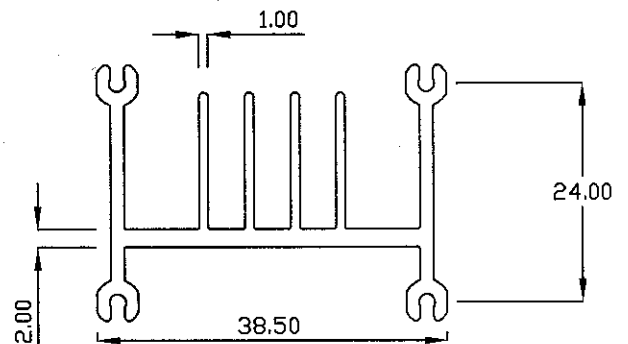
18068

0.197 Kg/mt



18072

0.649 Kg/mt



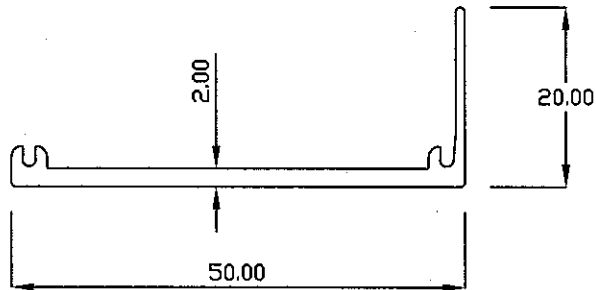
EXTRUSION

VALCO

HEAT SINK

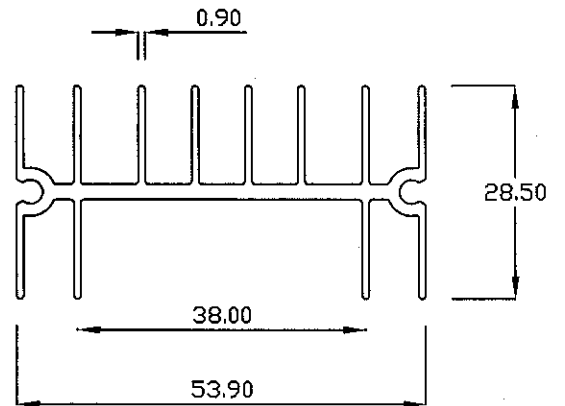
18077

0.362 Kg/mt



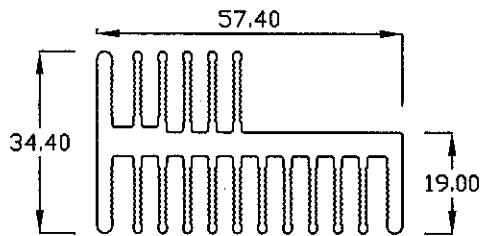
18079

0.717 Kg/mt



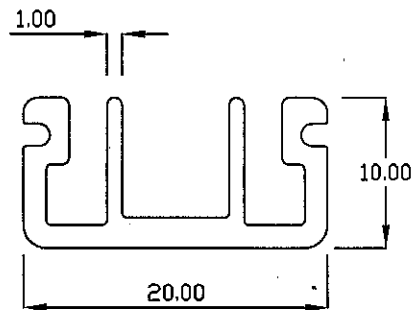
18083

1.800 Kg/mt



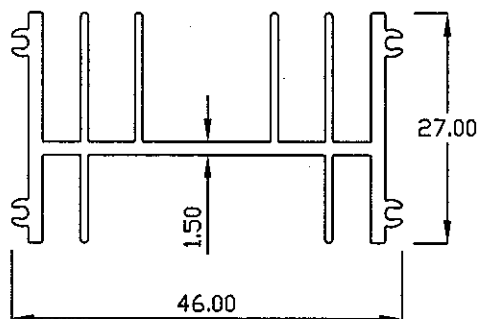
18089

0.239 Kg/mt



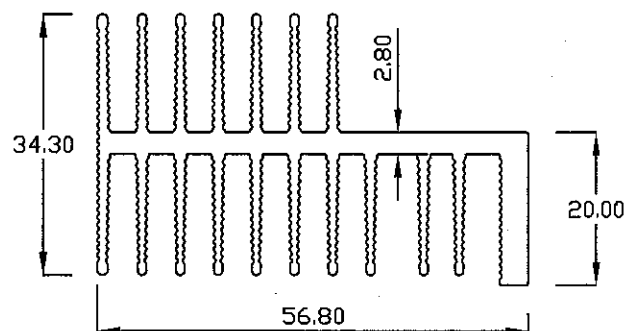
18101

0.651 Kg/mt



18103

1.441 Kg/mt



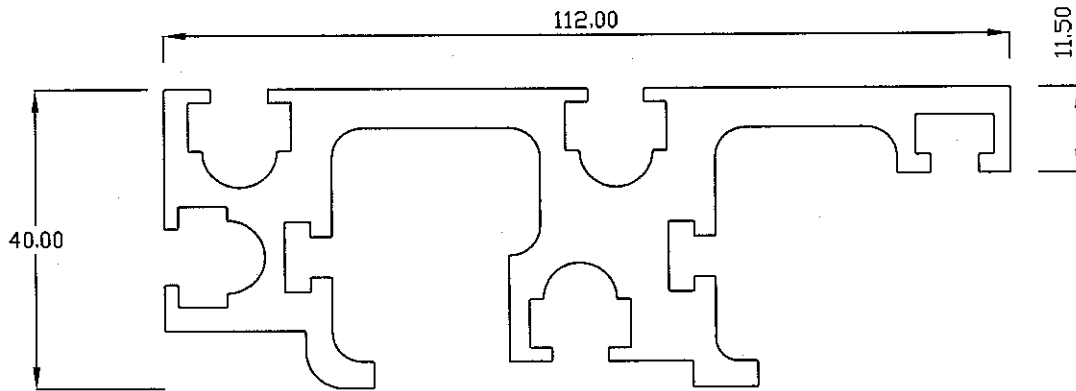
EXTRUSION

VALCO

HEAT SINK

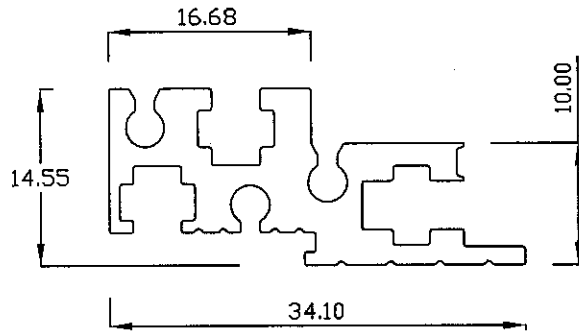
18104

3.919 Kg/mt



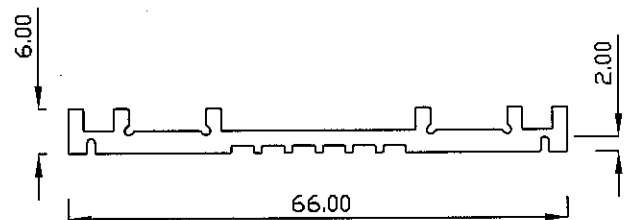
18131

0.544 Kg/mt



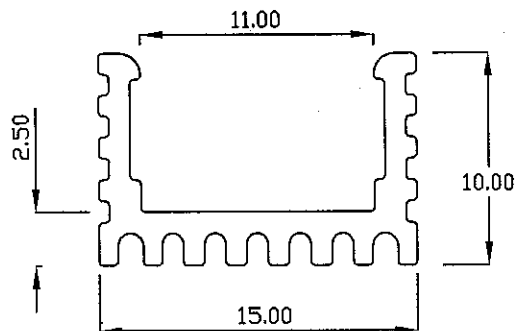
18155

0.583 Kg/mt



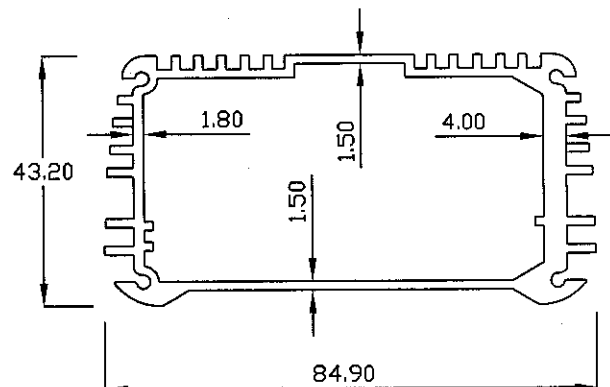
18156

0.144 Kg/mt



18169

1.708 Kg/mt



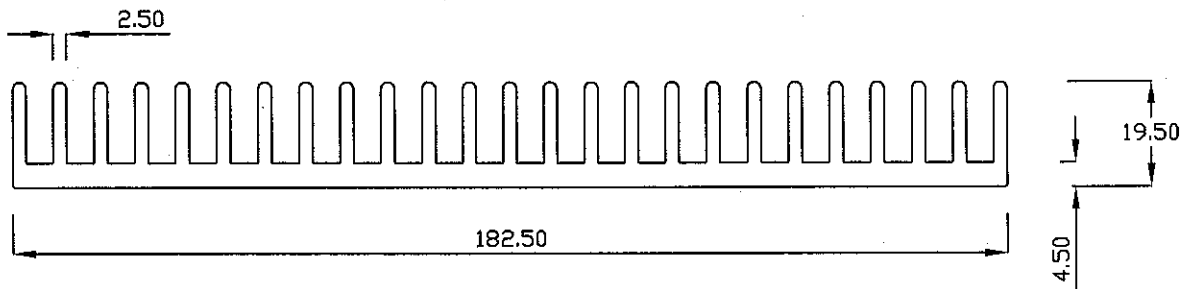
EXTRUSION

VALCO

HEAT SINK

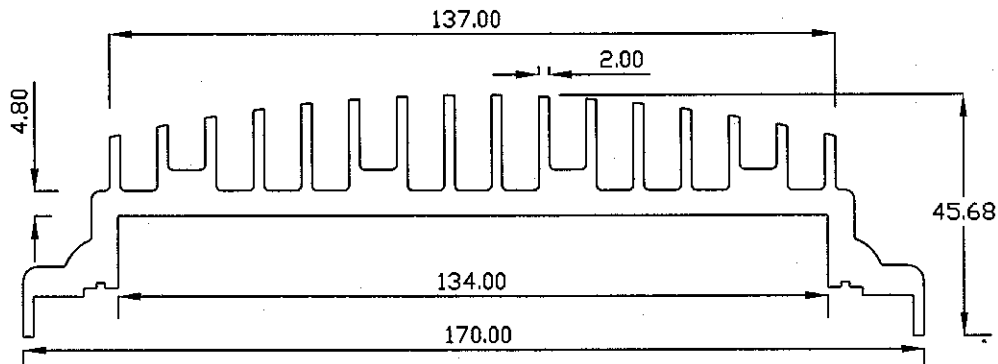
18177

4.724 Kg/mt



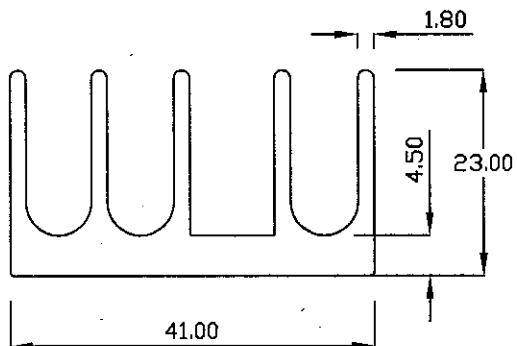
18200

4.422 Kg/mt



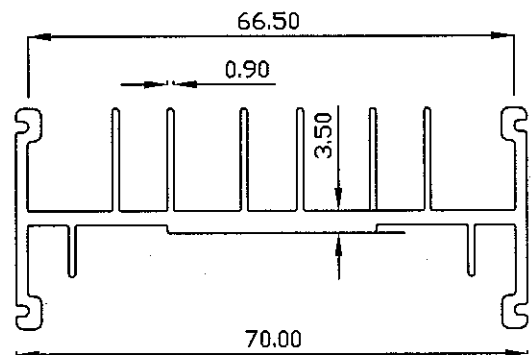
18178

1.010 Kg/mt



18201

1.063 Kg/mt



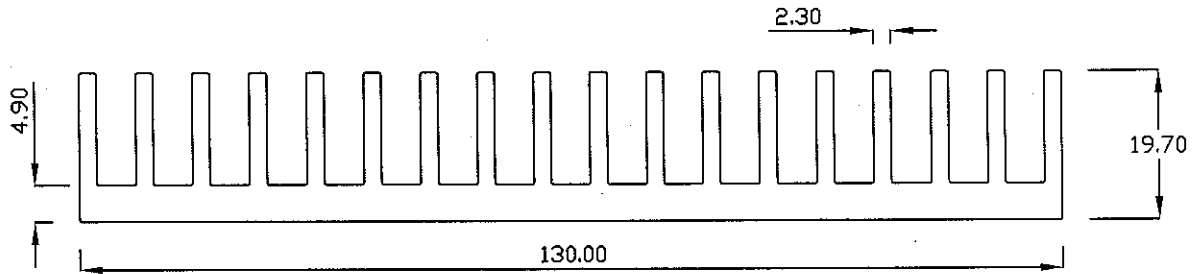
EXTRUSION

VALCO

HEAT SINK

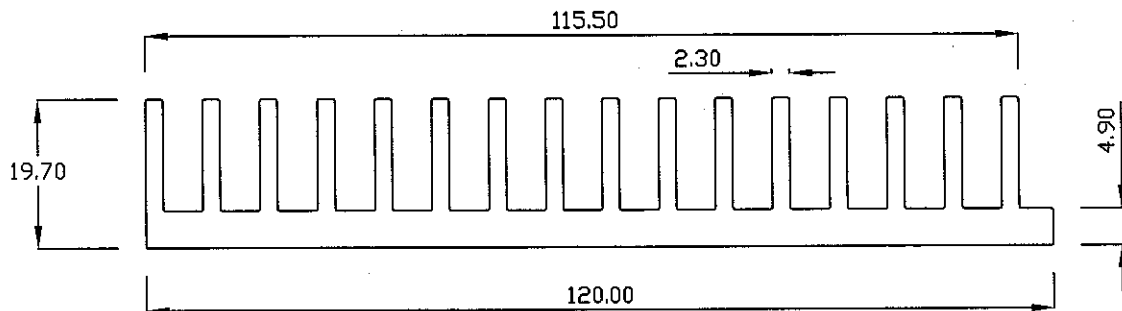
18205

3.404 Kg/mt



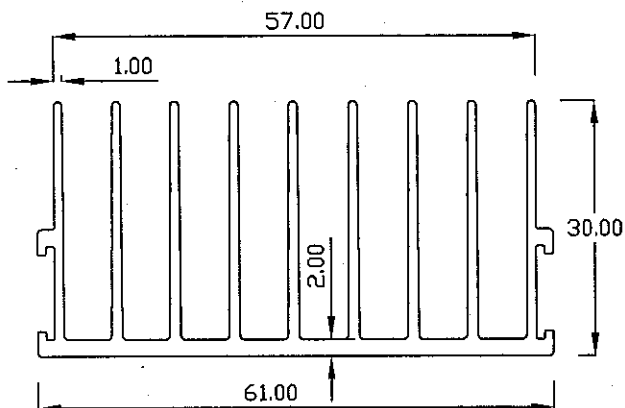
18206

3.088 Kg/mt



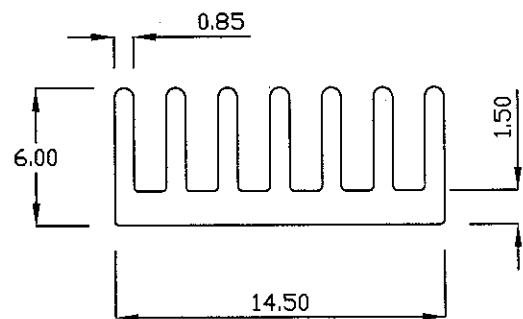
18218

1.150 Kg/mt



18223

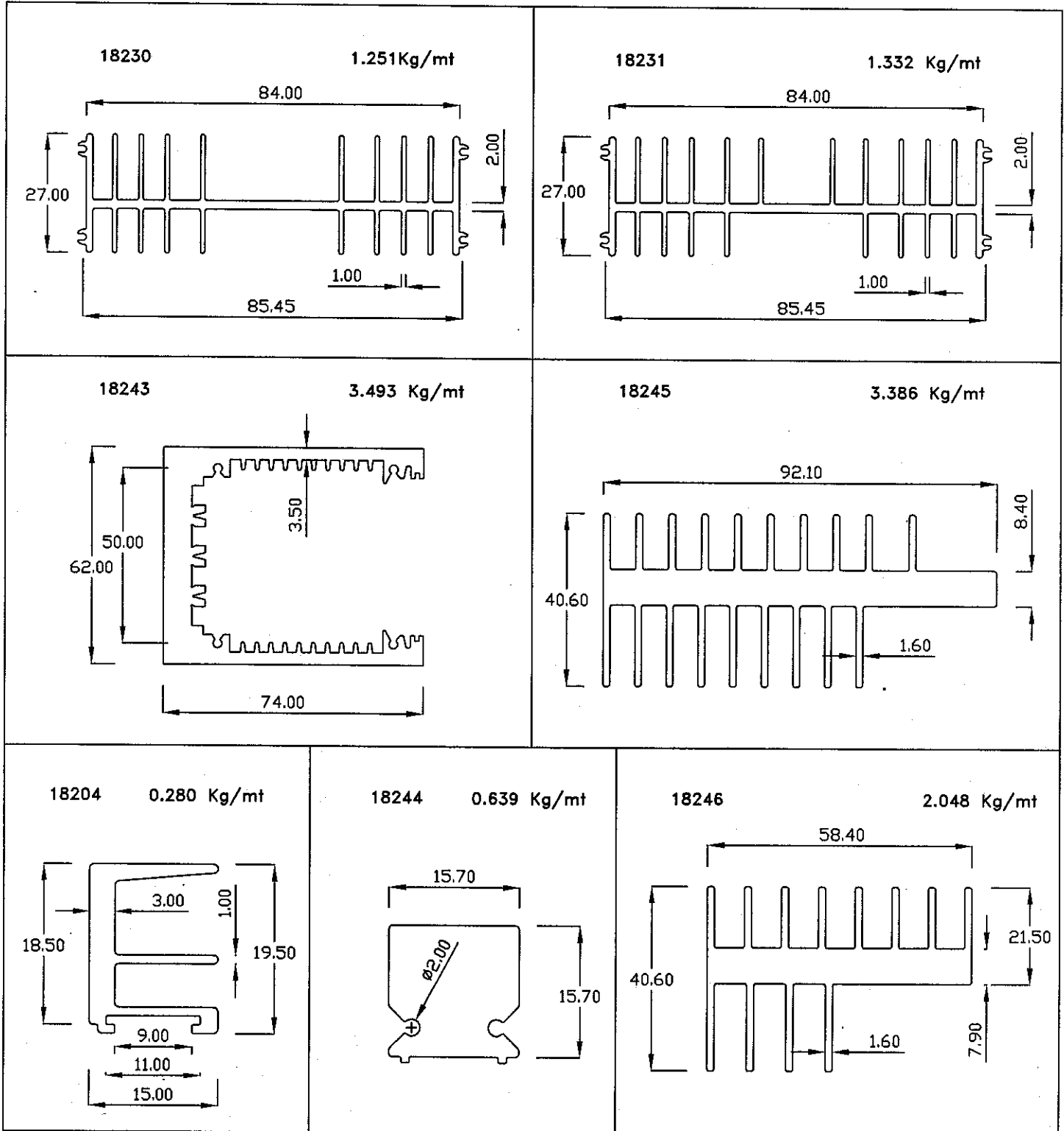
0.145 Kg/mt



EXTRUSION

VALCO

HEAT SINK



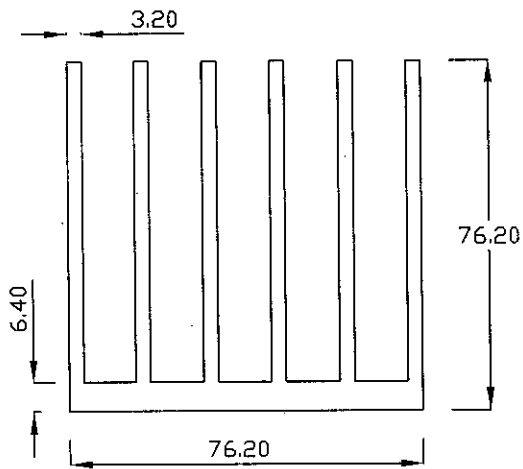
EXTRUSION

VALCO

HEAT SINK

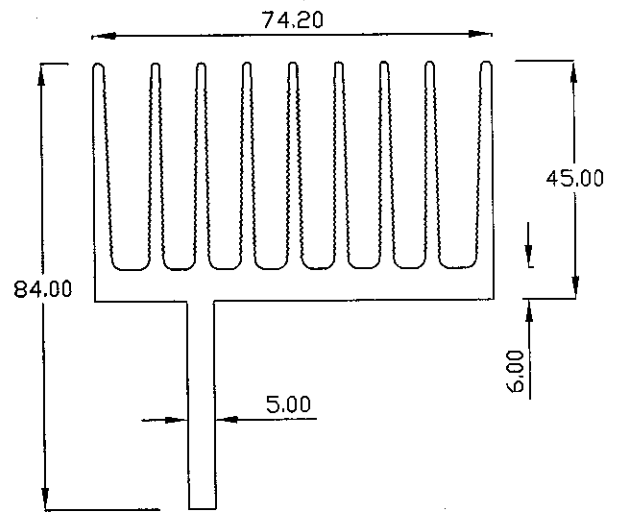
18248

4.919 Kg/mt



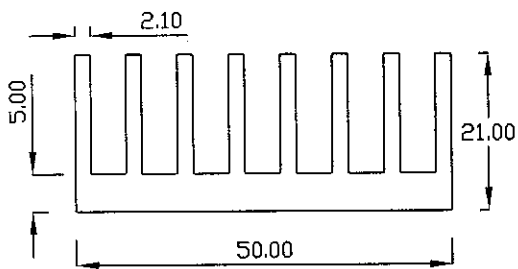
18260

3.871 Kg/mt



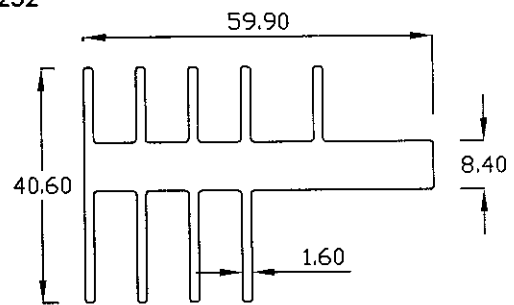
18247

1.421 Kg/mt



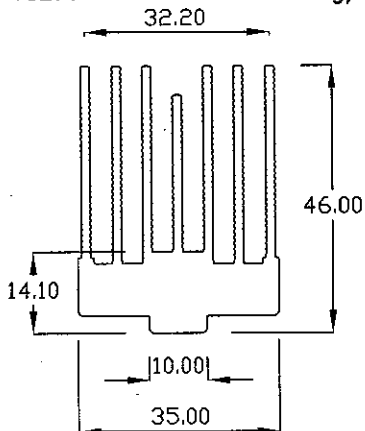
18252

1.421 Kg/mt



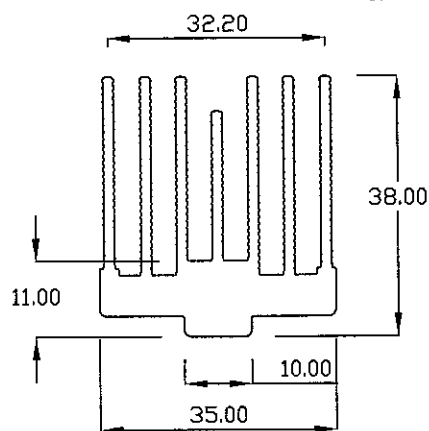
18279

1.975 Kg/mt



18280

1.564 Kg/mt



18281

0.812 Kg/mt

